

## 阅读申明

- 1.本站收集的数据手册和产品资料都来自互联网，版权归原作者所有。如读者和版权方有任何异议请及时告之，我们将妥善解决。
- 2.本站提供的中文数据手册是英文数据手册的中文翻译，其目的是协助用户阅读，该译文无法自动跟随原稿更新，同时也可能存在翻译上的不当。建议读者以英文原稿为参考以便获得更精准的信息。
- 3.本站提供的产品资料，来自厂商的技术支持或者使用者的心得体会等，其内容可能存在描述上的差异，建议读者做出适当判断。
- 4.如需与我们联系，请发邮件到marketing@iczoom.com，主题请标有“数据手册”字样。

## Read Statement

1. The datasheets and other product information on the site are all from network reference or other public materials, and the copyright belongs to the original author and original published source. If readers and copyright owners have any objections, please contact us and we will deal with it in a timely manner.
2. The Chinese datasheets provided on the website is a Chinese translation of the English datasheets. Its purpose is for reader's learning exchange only and do not involve commercial purposes. The translation cannot be automatically updated with the original manuscript, and there may also be improper translations. Readers are advised to use the English manuscript as a reference for more accurate information.
3. All product information provided on the website refer to solutions from manufacturers' technical support or users the contents may have differences in description, and readers are advised to take the original article as the standard.
4. If you have any questions, please contact us at marketing@iczoom.com and mark the subject with "Datasheets" .



# PCF2129

Accurate RTC with integrated quartz crystal for industrial applications

Rev. 7 — 19 December 2014

Product data sheet

## 1. General description

The PCF2129 is a CMOS<sup>1</sup> Real Time Clock (RTC) and calendar with an integrated Temperature Compensated Crystal (Xtal) Oscillator (TCXO) and a 32.768 kHz quartz crystal optimized for very high accuracy and very low power consumption. The PCF2129 has a selectable I<sup>2</sup>C-bus or SPI-bus, a backup battery switch-over circuit, a programmable watchdog function, a timestamp function, and many other features.

For a selection of NXP Real-Time Clocks, see [Table 83 on page 75](#)

## 2. Features and benefits

- Operating temperature range from –40 °C to +85 °C
- Temperature Compensated Crystal Oscillator (TCXO) with integrated capacitors
- Typical accuracy:
  - ◆ PCF2129AT: ±3 ppm from –15 °C to +60 °C
  - ◆ PCF2129T: ±3 ppm from –30 °C to +80 °C
- Integration of a 32.768 kHz quartz crystal and oscillator in the same package
- Provides year, month, day, weekday, hours, minutes, seconds, and leap year correction
- Timestamp function
  - ◆ with interrupt capability
  - ◆ detection of two different events on one multilevel input pin (for example, for tamper detection)
- Two line bidirectional 400 kHz Fast-mode I<sup>2</sup>C-bus interface
- 3 line SPI-bus with separate data input and output (maximum speed 6.5 Mbit/s)
- Battery backup input pin and switch-over circuitry
- Battery backed output voltage
- Battery low detection function
- Power-On Reset Override (PORO)
- Oscillator stop detection function
- Interrupt output (open-drain)
- Programmable 1 second or 1 minute interrupt
- Programmable watchdog timer with interrupt
- Programmable alarm function with interrupt capability
- Programmable square output

1. The definition of the abbreviations and acronyms used in this data sheet can be found in [Section 20](#).



- Clock operating voltage: 1.8 V to 4.2 V
- Low supply current: typical 0.70  $\mu\text{A}$  at  $V_{\text{DD}} = 3.3 \text{ V}$

### 3. Applications

- Electronic metering for electricity, water, and gas
- Precision timekeeping
- Access to accurate time of the day
- GPS equipment to reduce time to first fix
- Applications that require an accurate process timing
- Products with long automated unattended operation time

### 4. Ordering information

Table 1. Ordering information

Type number	Package		
	Name	Description	Version
PCF2129AT	SO20	plastic small outline package; 20 leads; body width 7.5 mm	SOT163-1
PCF2129T	SO16	plastic small outline package; 16 leads; body width 7.5 mm	SOT162-1

#### 4.1 Ordering options

Table 2. Ordering options

Product type number	Orderable part number	Sales item (12NC)	Delivery form	IC revision
PCF2129AT/2	PCF2129AT/2,518	935295732518	tape and reel, 13 inch, dry pack	2
PCF2129T/2	PCF2129T/2,518	935297464518	tape and reel, 13 inch, dry pack	2

### 5. Marking

Table 3. Marking codes

Product type number	Marking code
PCF2129AT/2	PCF2129AT
PCF2129T/2	PCF2129T

6. Block diagram

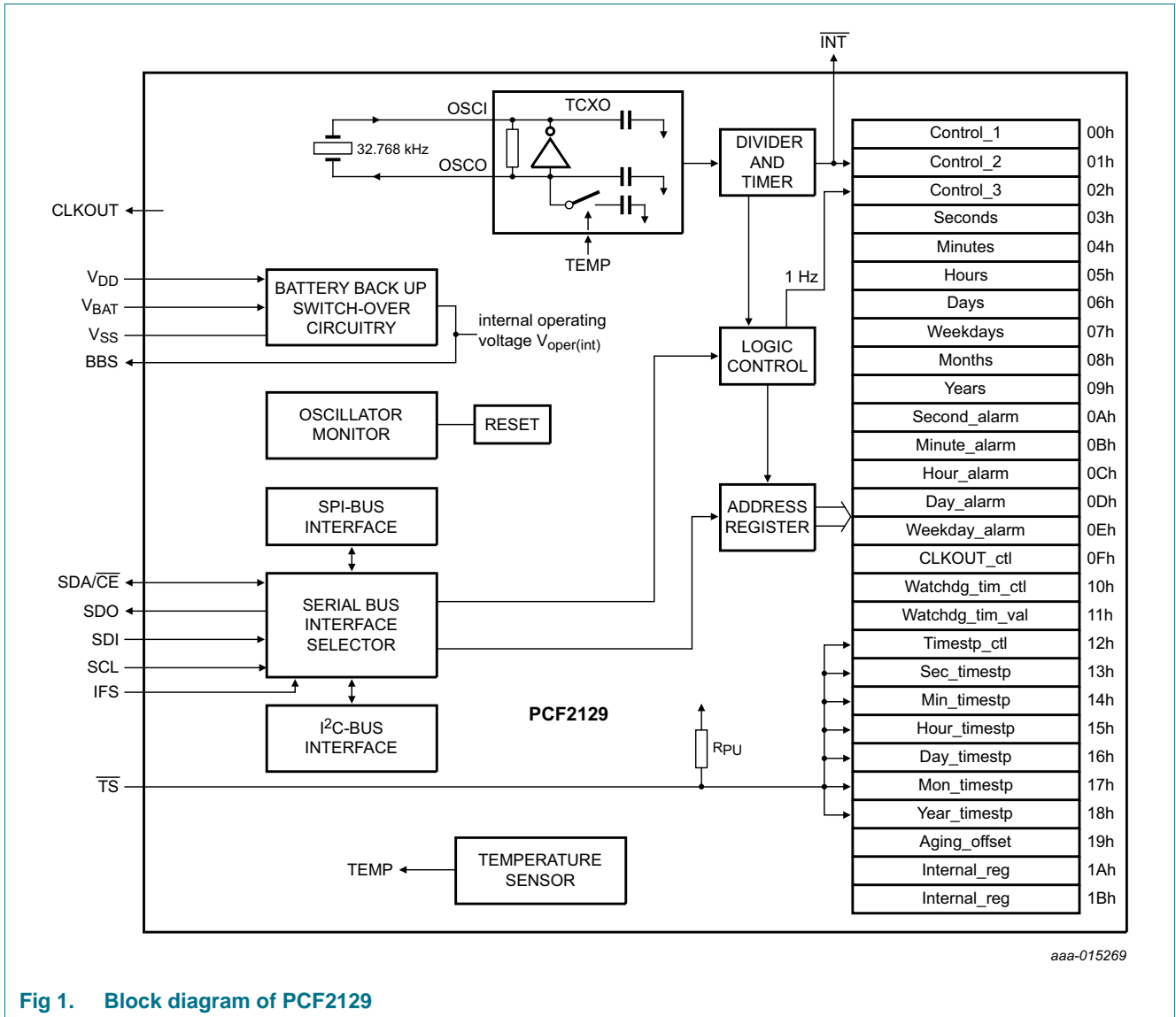
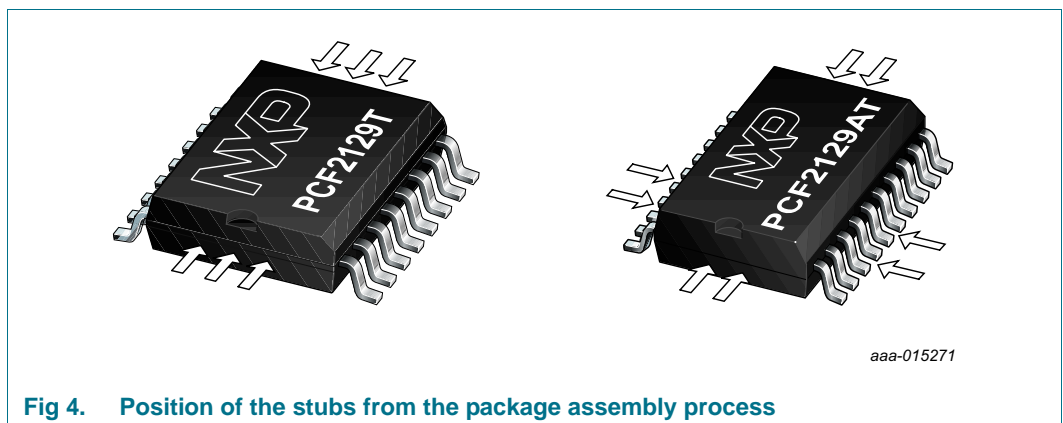
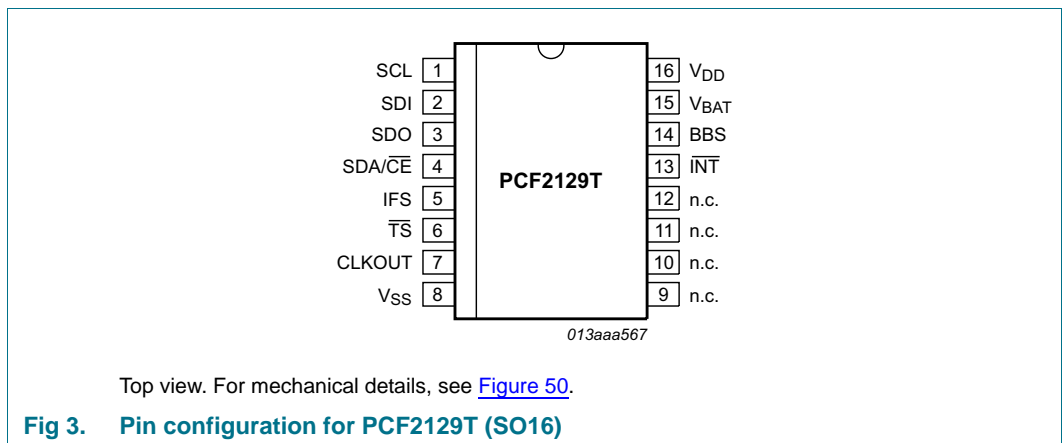
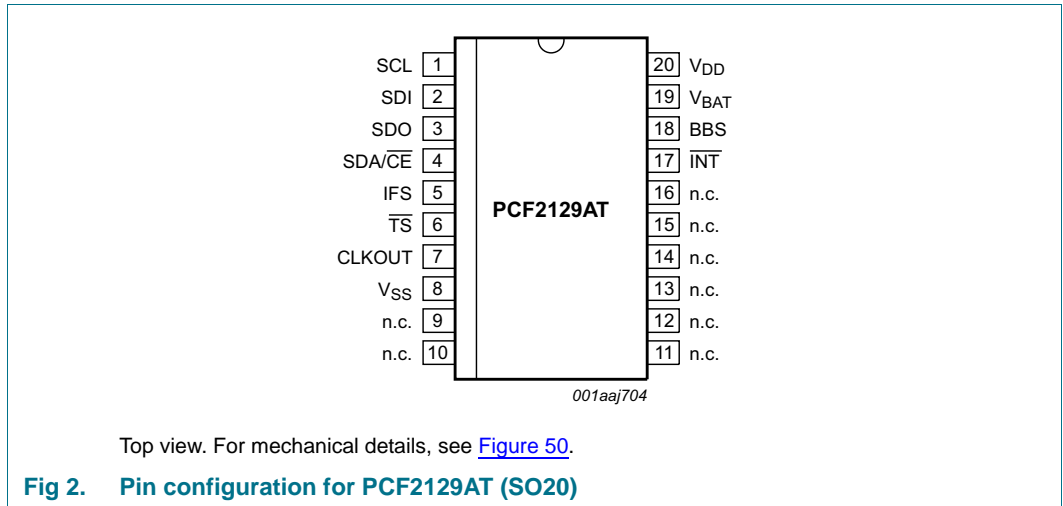


Fig 1. Block diagram of PCF2129

## 7. Pinning information

### 7.1 Pinning



After lead forming and cutting, there remain stubs from the package assembly process. These stubs are present at the edge of the package as illustrated in [Figure 4](#). The stubs are at an electrical potential. To avoid malfunction of the PCF2129, it has to be ensured that they are not shorted with another electrical potential (e.g. by condensation).

## 7.2 Pin description

**Table 4. Pin description of PCF2129**

*Input or input/output pins must always be at a defined level ( $V_{SS}$  or  $V_{DD}$ ) unless otherwise specified.*

Symbol	Pin		Description
	PCF2129AT	PCF2129T	
SCL	1	1	combined serial clock input for both I <sup>2</sup> C-bus and SPI-bus
SDI	2	2	serial data input for SPI-bus connect to pin $V_{SS}$ if I <sup>2</sup> C-bus is selected
SDO	3	3	serial data output for SPI-bus, push-pull
SDA/ $\overline{CE}$	4	4	combined serial data input and output for the I <sup>2</sup> C-bus and chip enable input (active LOW) for the SPI-bus
IFS	5	5	interface selector input connect to pin $V_{SS}$ to select the SPI-bus connect to pin BBS to select the I <sup>2</sup> C-bus
$\overline{TS}$	6	6	timestamp input (active LOW) with 200 k $\Omega$ internal pull-up resistor ( $R_{PU}$ )
CLKOUT	7	7	clock output (open-drain)
$V_{SS}$	8	8	ground supply voltage
n.c.	9 to 16	9 to 12	not connected; do not connect; do not use as feed through
$\overline{INT}$	17	13	interrupt output (open-drain; active LOW)
BBS	18	14	output voltage (battery backed)
$V_{BAT}$	19	15	battery supply voltage (backup) connect to $V_{SS}$ if battery switch over is not used
$V_{DD}$	20	16	supply voltage

## 8. Functional description

The PCF2129 is a Real Time Clock (RTC) and calendar with an on-chip Temperature Compensated Crystal (Xtal) Oscillator (TCXO) and a 32.768 kHz quartz crystal integrated into the same package (see [Section 8.3.3](#)).

Address and data are transferred by a selectable 400 kHz Fast-mode I<sup>2</sup>C-bus or a 3 line SPI-bus with separate data input and output (see [Section 9](#)). The maximum speed of the SPI-bus is 6.5 Mbit/s.

The PCF2129 has a backup battery input pin and backup battery switch-over circuit which monitors the main power supply. The backup battery switch-over circuit automatically switches to the backup battery when a power failure condition is detected (see [Section 8.5.1](#)). Accurate timekeeping is maintained even when the main power supply is interrupted.

A battery low detection circuit monitors the status of the battery (see [Section 8.5.2](#)). When the battery voltage drops below a certain threshold value, a flag is set to indicate that the battery must be replaced soon. This ensures the integrity of the data during periods of battery backup.

### 8.1 Register overview

The PCF2129 contains an auto-incrementing address register: the built-in address register will increment automatically after each read or write of a data byte up to the register 1Bh. After register 1Bh, the auto-incrementing will wrap around to address 00h (see [Figure 5](#)).

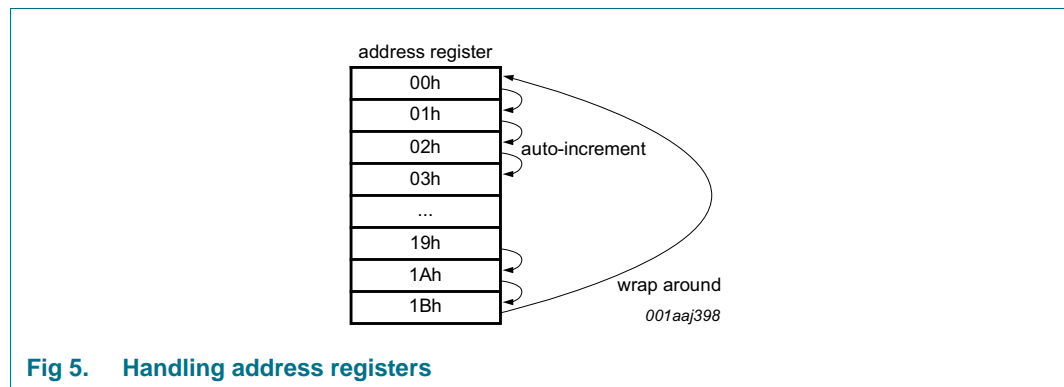


Fig 5. Handling address registers

- The first three registers (memory address 00h, 01h, and 02h) are used as control registers (see [Section 8.2](#)).
- The memory addresses 03h through to 09h are used as counters for the clock function (seconds up to years). The date is automatically adjusted for months with fewer than 31 days, including corrections for leap years. The clock can operate in 12-hour mode with an AM/PM indication or in 24-hour mode (see [Section 8.8](#)).
- The registers at addresses 0Ah through 0Eh define the alarm function. It can be selected that an interrupt is generated when an alarm event occurs (see [Section 8.9](#)).
- The register at address 0Fh defines the temperature measurement period and the clock out mode. The temperature measurement can be selected from every 4 minutes (default) down to every 30 seconds (see [Table 14](#)). CLKOUT frequencies of

32.768 kHz (default) down to 1 Hz for use as system clock, microcontroller clock, and so on, can be chosen (see [Table 15](#)).

- The registers at addresses 10h and 11h are used for the watchdog timer functions. The watchdog timer has four selectable source clocks allowing for timer periods from less than 1 ms to greater than 4 hours (see [Table 52](#)). An interrupt is generated when the watchdog times out.
- The registers at addresses 12h to 18h are used for the timestamp function. When the trigger event happens, the actual time is saved in the timestamp registers (see [Section 8.11](#)).
- The register at address 19h is used for the correction of the crystal aging effect (see [Section 8.4.1](#)).
- The registers at addresses 1Ah and 1Bh are for internal use only.
- The registers Seconds, Minutes, Hours, Days, Months, and Years are all coded in Binary Coded Decimal (BCD) format to simplify application use. Other registers are either bit-wise or standard binary.

When one of the RTC registers is written or read, the content of all counters is temporarily frozen. This prevents a faulty writing or reading of the clock and calendar during a carry condition (see [Section 8.8.8](#)).



**Table 5. Register overview**

Bit positions labeled as - are not implemented and return 0 when read. Bits labeled as T must always be written with logic 0. Bits labeled as X are undefined at power-on and unchanged by subsequent resets.

Address	Register name	Bit								Reset value	Reference
		7	6	5	4	3	2	1	0		
<b>Control registers</b>											
00h	Control_1	EXT_TEST	T	STOP	TSF1	POR_OVRD	12_24	MI	SI	0000 1000	<a href="#">Table 7 on page 10</a>
01h	Control_2	MSF	WDTF	TSF2	AF	T	TSIE	AIE	T	0000 0000	<a href="#">Table 9 on page 11</a>
02h	Control_3	PWRMNG[2:0]			BTSE	BF	BLF	BIE	BLIE	0000 0000	<a href="#">Table 11 on page 12</a>
<b>Time and date registers</b>											
03h	Seconds	OSF	SECONDS (0 to 59)						1XXX XXXX	<a href="#">Table 22 on page 25</a>	
04h	Minutes	-	MINUTES (0 to 59)						- XXX XXXX	<a href="#">Table 25 on page 26</a>	
05h	Hours	-	-	AMPM	HOURS (1 to 12) in 12-hour mode			- - XX XXXX	<a href="#">Table 27 on page 27</a>		
				HOURS (0 to 23) in 24-hour mode			- - XX XXXX				
06h	Days	-	-	DAYS (1 to 31)				- - XX XXXX	<a href="#">Table 29 on page 27</a>		
07h	Weekdays	-	-	-	-	-	WEEKDAYS (0 to 6)		- - - - XXX	<a href="#">Table 31 on page 28</a>	
08h	Months	-	-	-	MONTHS (1 to 12)			- - - X XXXX	<a href="#">Table 34 on page 29</a>		
09h	Years	YEARS (0 to 99)						XXXX XXXX	<a href="#">Table 37 on page 30</a>		
<b>Alarm registers</b>											
0Ah	Second_alarm	AE_S	SECOND_ALARM (0 to 59)						1XXX XXXX	<a href="#">Table 39 on page 33</a>	
0Bh	Minute_alarm	AE_M	MINUTE_ALARM (0 to 59)						1XXX XXXX	<a href="#">Table 41 on page 33</a>	
0Ch	Hour_alarm	AE_H	-	AMPM	HOUR_ALARM (1 to 12) in 12-hour mode			1 - XX XXXX	<a href="#">Table 43 on page 34</a>		
				HOUR_ALARM (0 to 23) in 24-hour mode			1 - XX XXXX				
0Dh	Day_alarm	AE_D	-	DAY_ALARM (1 to 31)				1 - XX XXXX	<a href="#">Table 45 on page 34</a>		
0Eh	Weekday_alarm	AE_W	-	-	-	-	WEEKDAY_ALARM (0 to 6)		1 - - - - XXX	<a href="#">Table 47 on page 35</a>	
<b>CLKOUT control register</b>											
0Fh	CLKOUT_ctl	TCR[1:0]		OTPR	-	-	COF[2:0]		00X - - 000	<a href="#">Table 13 on page 12</a>	
<b>Watchdog registers</b>											
10h	Watchdg_tim_ctl	WD_CD	T	TI_TP	-	-	-	TF[1:0]		000 - - - 11	<a href="#">Table 49 on page 36</a>
11h	Watchdg_tim_val	WATCHDGD_TIM_VAL[7:0]						XXXX XXXX	<a href="#">Table 51 on page 36</a>		
<b>Timestamp registers</b>											
12h	Timestamp_ctl	TSM	TSOFF	-	1_O_16_TIMESTAMP[4:0]			00 - X XXXX	<a href="#">Table 58 on page 41</a>		

**Table 5. Register overview ...continued**

Bit positions labeled as - are not implemented and return 0 when read. Bits labeled as T must always be written with logic 0. Bits labeled as X are undefined at power-on and unchanged by subsequent resets.

Address	Register name	Bit								Reset value	Reference	
		7	6	5	4	3	2	1	0			
13h	Sec_timestp	-	SECOND_TIMESTP (0 to 59)								- XXX XXXX	<a href="#">Table 60 on page 41</a>
14h	Min_timestp	-	MINUTE_TIMESTP (0 to 59)								- XXX XXXX	<a href="#">Table 62 on page 42</a>
15h	Hour_timestp	-	-	AMPM	HOUR_TIMESTP (1 to 12) in 12-hour mode				-	- XX XXXX	<a href="#">Table 64 on page 42</a>	
				HOUR_TIMESTP (0 to 23) in 24-hour mode				- - XX XXXX				
16h	Day_timestp	-	-	DAY_TIMESTP (1 to 31)						- - XX XXXX	<a href="#">Table 66 on page 43</a>	
17h	Mon_timestp	-	-	-	MONTH_TIMESTP (1 to 12)				- - - X XXXX	<a href="#">Table 68 on page 43</a>		
18h	Year_timestp	YEAR_TIMESTP (0 to 99)								XXXX XXXX	<a href="#">Table 70 on page 43</a>	
<b>Aging offset register</b>												
19h	Aging_offset	-	-	-	-	AO[3:0]			- - - - 1000	<a href="#">Table 17 on page 14</a>		
<b>Internal registers</b>												
1Ah	Internal_reg	-	-	-	-	-	-	-	-	- - - - - - - -	-	
1Bh	Internal_reg	-	-	-	-	-	-	-	-	- - - - - - - -	-	

## 8.2 Control registers

The first 3 registers of the PCF2129, with the addresses 00h, 01h, and 02h, are used as control registers.

### 8.2.1 Register Control\_1

**Table 6. Control\_1 - control and status register 1 (address 00h) bit allocation**

Bits labeled as T must always be written with logic 0.

Bit	7	6	5	4	3	2	1	0
Symbol	EXT_TEST	T	STOP	TSF1	POR_OVRD	12_24	MI	SI
Reset value	0	0	0	0	1	0	0	0

**Table 7. Control\_1 - control and status register 1 (address 00h) bit description**

Bits labeled as T must always be written with logic 0.

Bit	Symbol	Value	Description	Reference
7	EXT_TEST	0	normal mode	<a href="#">Section 8.13</a>
		1	external clock test mode	
6	T	0	unused	-
5	STOP	0	RTC source clock runs	<a href="#">Section 8.14</a>
		1	RTC clock is stopped; RTC divider chain flip-flops are asynchronously set logic 0; CLKOUT at 32.768 kHz, 16.384 kHz, or 8.192 kHz is still available	
4	TSF1	0	no timestamp interrupt generated	<a href="#">Section 8.11.1</a>
		1	flag set when $\overline{TS}$ input is driven to an intermediate level between power supply and ground; flag must be cleared to clear interrupt	
3	POR_OVRD	0	Power-On Reset Override (PORO) facility disabled; <b>set logic 0 for normal operation</b>	<a href="#">Section 8.7.2</a>
		1	Power-On Reset Override (PORO) sequence reception enabled	
2	12_24	0	24-hour mode selected	<a href="#">Table 27,</a> <a href="#">Table 43,</a> <a href="#">Table 64</a>
		1	12-hour mode selected	
1	MI	0	minute interrupt disabled	<a href="#">Section 8.12.1</a>
		1	minute interrupt enabled	
0	SI	0	second interrupt disabled	
		1	second interrupt enabled	

## 8.2.2 Register Control\_2

**Table 8. Control\_2 - control and status register 2 (address 01h) bit allocation**

Bits labeled as T must always be written with logic 0.

Bit	7	6	5	4	3	2	1	0
Symbol	MSF	WDTF	TSF2	AF	T	TSIE	AIE	T
Reset value	0	0	0	0	0	0	0	0

**Table 9. Control\_2 - control and status register 2 (address 01h) bit description**

Bits labeled as T must always be written with logic 0.

Bit	Symbol	Value	Description	Reference
7	MSF	0	no minute or second interrupt generated	<a href="#">Section 8.12</a>
		1	flag set when minute or second interrupt generated; flag must be cleared to clear interrupt	
6	WDTF	0	no watchdog timer interrupt or reset generated	<a href="#">Section 8.12.3</a>
		1	flag set when watchdog timer interrupt or reset generated; flag cannot be cleared by command (read-only)	
5	TSF2	0	no timestamp interrupt generated	<a href="#">Section 8.11.1</a>
		1	flag set when $\overline{TS}$ input is driven to ground; flag must be cleared to clear interrupt	
4	AF	0	no alarm interrupt generated	<a href="#">Section 8.9.6</a>
		1	flag set when alarm triggered; flag must be cleared to clear interrupt	
3	T	0	unused	-
2	TSIE	0	no interrupt generated from timestamp flag	<a href="#">Section 8.12.5</a>
		1	interrupt generated when timestamp flag set	
1	AIE	0	no interrupt generated from the alarm flag	<a href="#">Section 8.12.4</a>
		1	interrupt generated when alarm flag set	
0	T	0	unused	-

### 8.2.3 Register Control\_3

**Table 10. Control\_3 - control and status register 3 (address 02h) bit allocation**

Bit	7	6	5	4	3	2	1	0
Symbol	PWRMNG[2:0]			BTSE	BF	BLF	BIE	BLIE
Reset value	0	0	0	0	0	0	0	0

**Table 11. Control\_3 - control and status register 3 (address 02h) bit description**

Bit	Symbol	Value	Description	Reference
7 to 5	PWRMNG[2:0]	see <a href="#">Table 19</a>	control of the battery switch-over, battery low detection, and extra power fail detection functions	<a href="#">Section 8.5</a>
4	BTSE	0	no timestamp when battery switch-over occurs	<a href="#">Section 8.11.4</a>
		1	time-stamped when battery switch-over occurs	
3	BF	0	no battery switch-over interrupt generated	<a href="#">Section 8.5.1</a> and <a href="#">Section 8.11.4</a>
		1	flag set when battery switch-over occurs; flag must be cleared to clear interrupt	
2	BLF	0	battery status ok; no battery low interrupt generated	<a href="#">Section 8.5.2</a>
		1	battery status low; flag cannot be cleared by command	
1	BIE	0	no interrupt generated from the battery flag (BF)	<a href="#">Section 8.12.6</a>
		1	interrupt generated when BF is set	
0	BLIE	0	no interrupt generated from battery low flag (BLF)	<a href="#">Section 8.12.7</a>
		1	interrupt generated when BLF is set	

### 8.3 Register CLKOUT\_ctl

**Table 12. CLKOUT\_ctl - CLKOUT control register (address 0Fh) bit allocation**

Bit positions labeled as - are not implemented and return 0 when read. Bits labeled as X are undefined at power-on and unchanged by subsequent resets.

Bit	7	6	5	4	3	2	1	0
Symbol	TCR[1:0]		OTPR	-	-	COF[2:0]		
Reset value	0	0	X	-	-	0	0	0

**Table 13. CLKOUT\_ctl - CLKOUT control register (address 0Fh) bit description**

Bit positions labeled as - are not implemented and return 0 when read. Bits labeled as X are undefined at power-on and unchanged by subsequent resets.

Bit	Symbol	Value	Description
7 to 6	TCR[1:0]	see <a href="#">Table 14</a>	temperature measurement period
5	OTPR	0	no OTP refresh
		1	OTP refresh performed
4 to 3	-	-	unused
2 to 0	COF[2:0]	see <a href="#">Table 15</a>	CLKOUT frequency selection

### 8.3.1 Temperature compensated crystal oscillator

The frequency of tuning fork quartz crystal oscillators is temperature-dependent. In the PCF2129, the frequency deviation caused by temperature variation is corrected by adjusting the load capacitance of the crystal oscillator.

The load capacitance is changed by switching between two load capacitance values using a modulation signal with a programmable duty cycle. In order to compensate the spread of the quartz parameters every chip is factory calibrated.

The frequency accuracy can be evaluated by measuring the frequency of the square wave signal available at the output pin CLKOUT. However, the selection of  $f_{\text{CLKOUT}} = 32.768$  kHz (default value) leads to inaccurate measurements. Accurate frequency measurement occurs when  $f_{\text{CLKOUT}} = 16.384$  kHz or lower is selected (see [Table 15](#)).

#### 8.3.1.1 Temperature measurement

The PCF2129 has a temperature sensor circuit used to perform the temperature compensation of the frequency. The temperature is measured immediately after power-on and then periodically with a period set by the temperature conversion rate TCR[1:0] in the register CLKOUT\_ctl.

**Table 14. Temperature measurement period**

TCR[1:0]	Temperature measurement period
00	<a href="#">[1]</a> 4 min
01	2 min
10	1 min
11	30 seconds

[1] Default value.

#### 8.3.2 OTP refresh

Each IC is calibrated during production and testing of the device. The calibration parameters are stored on EPROM cells called One Time Programmable (OTP) cells. It is recommended to process an OTP refresh once after the power is up and the oscillator is operating stable. The OTP refresh takes less than 100 ms to complete.

To perform an OTP refresh, bit OTPR has to be cleared (set to logic 0) and then set to logic 1 again.

#### 8.3.3 Clock output

A programmable square wave is available at pin CLKOUT. Operation is controlled by the COF[2:0] control bits in register CLKOUT\_ctl. Frequencies of 32.768 kHz (default) down to 1 Hz can be generated for use as system clock, microcontroller clock, charge pump input, or for calibrating the oscillator.

CLKOUT is an open-drain output and enabled at power-on. When disabled, the output is high-impedance.

Table 15. CLKOUT frequency selection

COF[2:0]	CLKOUT frequency (Hz)	Typical duty cycle <sup>[1]</sup>
000 <sup>[2][3]</sup>	32768	60 : 40 to 40 : 60
001	16384	50 : 50
010	8192	50 : 50
011	4096	50 : 50
100	2048	50 : 50
101	1024	50 : 50
110	1	50 : 50
111	CLKOUT = high-Z	-

[1] Duty cycle definition: % HIGH-level time : % LOW-level time.

[2] Default value.

[3] The specified accuracy of the RTC can be only achieved with CLKOUT frequencies not equal to 32.768 kHz or if CLKOUT is disabled.

The duty cycle of the selected clock is not controlled, however, due to the nature of the clock generation all but the 32.768 kHz frequencies are 50 : 50.

## 8.4 Register Aging\_offset

Table 16. Aging\_offset - crystal aging offset register (address 19h) bit allocation

Bit positions labeled as - are not implemented and return 0 when read.

Bit	7	6	5	4	3	2	1	0
Symbol	-	-	-	-	AO[3:0]			
Reset value	-	-	-	-	1	0	0	0

Table 17. Aging\_offset - crystal aging offset register (address 19h) bit description

Bit positions labeled as - are not implemented and return 0 when read.

Bit	Symbol	Value	Description
7 to 4	-	-	unused
3 to 0	AO[3:0]	see <a href="#">Table 18</a>	aging offset value

### 8.4.1 Crystal aging correction

The PCF2129 has an offset register Aging\_offset to correct the crystal aging effects<sup>2</sup>.

The accuracy of the frequency of a quartz crystal depends on its aging. The aging offset adds an adjustment, positive or negative, in the temperature compensation circuit which allows correcting the aging effect.

At 25 °C, the aging offset bits allow a frequency correction of typically 1 ppm per AO[3:0] value, from -7 ppm to +8 ppm.

2. For further information, refer to the application note [Ref. 3 "AN11186"](#).

Table 18. Frequency correction at 25 °C, typical

AO[3:0]		ppm
Decimal	Binary	
0	0000	+8
1	0001	+7
2	0010	+6
3	0011	+5
4	0100	+4
5	0101	+3
6	0110	+2
7	0111	+1
8	1000	<sup>[1]</sup> 0
9	1001	-1
10	1010	-2
11	1011	-3
12	1100	-4
13	1101	-5
14	1110	-6
15	1111	-7

[1] Default value.



### 8.5 Power management functions

The PCF2129 has two power supplies:

**V<sub>DD</sub>** — the main power supply

**V<sub>BAT</sub>** — the battery backup supply

Internally, the PCF2129 is operating with the internal operating voltage  $V_{oper(int)}$  which is also available as  $V_{BBS}$  on the battery backed output voltage pin, BBS. Depending on the condition of the main power supply and the selected power management function,  $V_{oper(int)}$  is either on the potential of  $V_{DD}$  or  $V_{BAT}$  (see [Section 8.5.3](#)).

Two power management functions are implemented:

**Battery switch-over function** — monitoring the main power supply  $V_{DD}$  and switching to  $V_{BAT}$  in case a power fail condition is detected (see [Section 8.5.1](#)).

**Battery low detection function** — monitoring the status of the battery,  $V_{BAT}$  (see [Section 8.5.2](#)).

The power management functions are controlled by the control bits PWRMNG[2:0] (see [Table 19](#)) in register Control\_3 (see [Table 11](#)):

**Table 19. Power management control bit description**

PWRMNG[2:0]	Function
000 <sup>[1]</sup>	battery switch-over function is enabled in standard mode; battery low detection function is enabled
001	battery switch-over function is enabled in standard mode; battery low detection function is disabled
010	battery switch-over function is enabled in standard mode; battery low detection function is disabled
011	battery switch-over function is enabled in direct switching mode; battery low detection function is enabled
100	battery switch-over function is enabled in direct switching mode; battery low detection function is disabled
101	battery switch-over function is enabled in direct switching mode; battery low detection function is disabled
111 <sup>[2]</sup>	battery switch-over function is disabled, only one power supply ( $V_{DD}$ ); battery low detection function is disabled

[1] Default value.

[2] When the battery switch-over function is disabled, the PCF2129 works only with the power supply  $V_{DD}$ .  $V_{BAT}$  must be put to ground and the battery low detection function is disabled.

### 8.5.1 Battery switch-over function

The PCF2129 has a backup battery switch-over circuit which monitors the main power supply  $V_{DD}$ . When a power failure condition is detected, it automatically switches to the backup battery.

One of two operation modes can be selected:

**Standard mode** — the power failure condition happens when:

$$V_{DD} < V_{BAT} \text{ AND } V_{DD} < V_{th(sw)bat}$$

$V_{th(sw)bat}$  is the battery switch threshold voltage. Typical value is 2.5 V. The battery switch-over in standard mode works only for  $V_{DD} > 2.5$  V

**Direct switching mode** — the power failure condition happens when  $V_{DD} < V_{BAT}$ . Direct switching from  $V_{DD}$  to  $V_{BAT}$  without requiring  $V_{DD}$  to drop below  $V_{th(sw)bat}$

When a power failure condition occurs and the power supply switches to the battery, the following sequence occurs:

1. The battery switch flag BF (register Control\_3) is set logic 1.
2. An interrupt is generated if the control bit BIE (register Control\_3) is enabled (see [Section 8.12.6](#)).
3. If the control bit BTSE (register Control\_3) is logic 1, the timestamp registers store the time and date when the battery switch occurred (see [Section 8.11.4](#)).
4. The battery switch flag BF is cleared by command; it must be cleared to clear the interrupt.

The interface is disabled in battery backup operation:

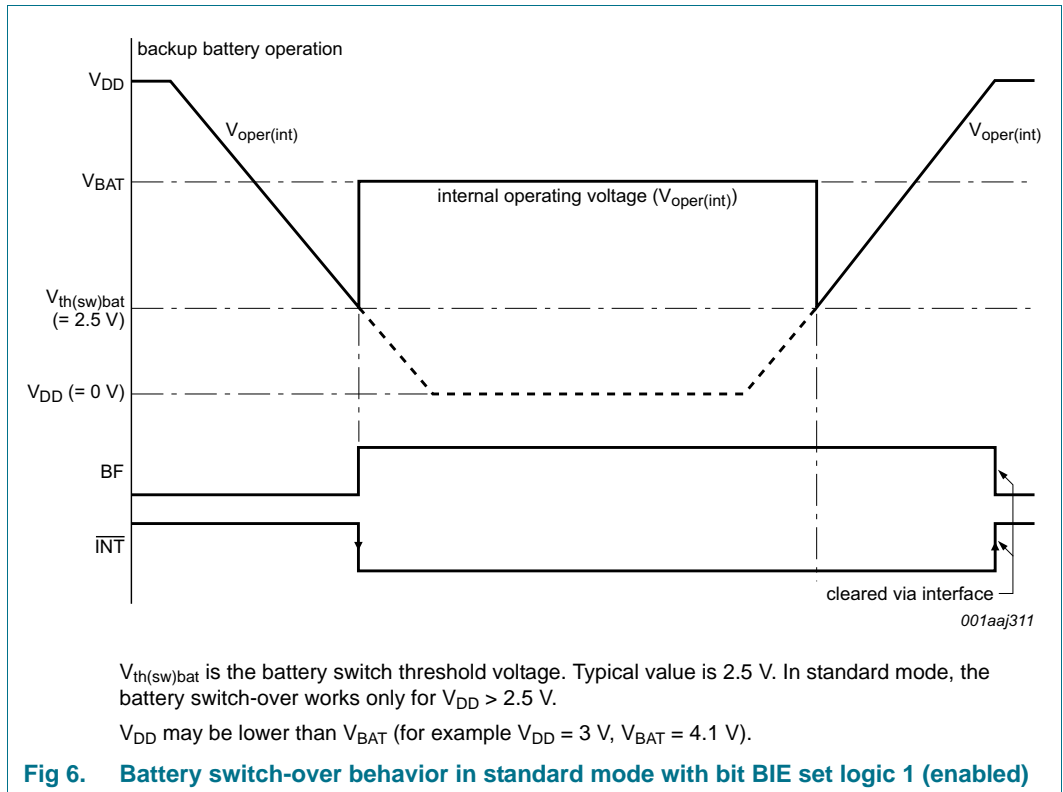
- Interface inputs are not recognized, preventing extraneous data being written to the device
- Interface outputs are high-impedance

For further information about I<sup>2</sup>C-bus communication and battery backup operation, see [Section 9.3 on page 56](#).

8.5.1.1 Standard mode

If  $V_{DD} > V_{BAT}$  OR  $V_{DD} > V_{th(sw)bat}$ :  $V_{oper(int)}$  is at  $V_{DD}$  potential.

If  $V_{DD} < V_{BAT}$  AND  $V_{DD} < V_{th(sw)bat}$ :  $V_{oper(int)}$  is at  $V_{BAT}$  potential.

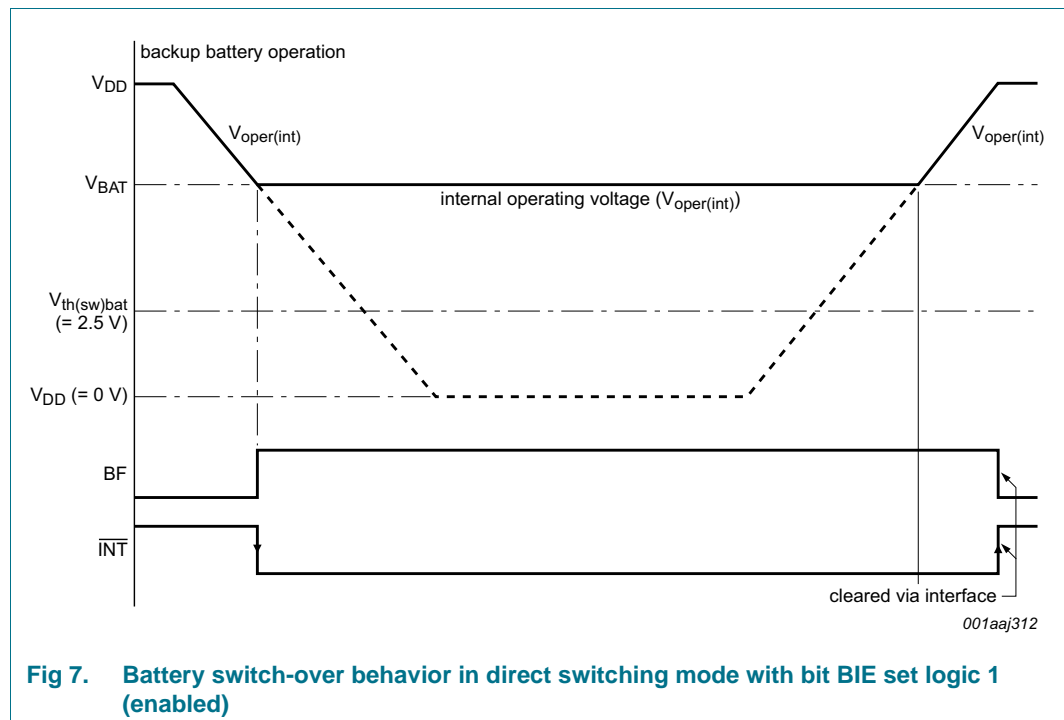


**8.5.1.2 Direct switching mode**

If  $V_{DD} > V_{BAT}$ :  $V_{oper(int)}$  is at  $V_{DD}$  potential.

If  $V_{DD} < V_{BAT}$ :  $V_{oper(int)}$  is at  $V_{BAT}$  potential.

The direct switching mode is useful in systems where  $V_{DD}$  is always higher than  $V_{BAT}$ . This mode is not recommended if the  $V_{DD}$  and  $V_{BAT}$  values are similar (for example,  $V_{DD} = 3.3\text{ V}$ ,  $V_{BAT} \geq 3.0\text{ V}$ ). In direct switching mode, the power consumption is reduced compared to the standard mode because the monitoring of  $V_{DD}$  and  $V_{th(sw)bat}$  is not performed.



**Fig 7. Battery switch-over behavior in direct switching mode with bit BIE set logic 1 (enabled)**

**8.5.1.3 Battery switch-over disabled: only one power supply ( $V_{DD}$ )**

When the battery switch-over function is disabled:

- The power supply is applied on the  $V_{DD}$  pin
- The  $V_{BAT}$  pin must be connected to ground
- $V_{oper(int)}$  is at  $V_{DD}$  potential
- The battery flag (BF) is always logic 0

8.5.1.4 Battery switch-over architecture

The architecture of the battery switch-over circuit is shown in [Figure 8](#).

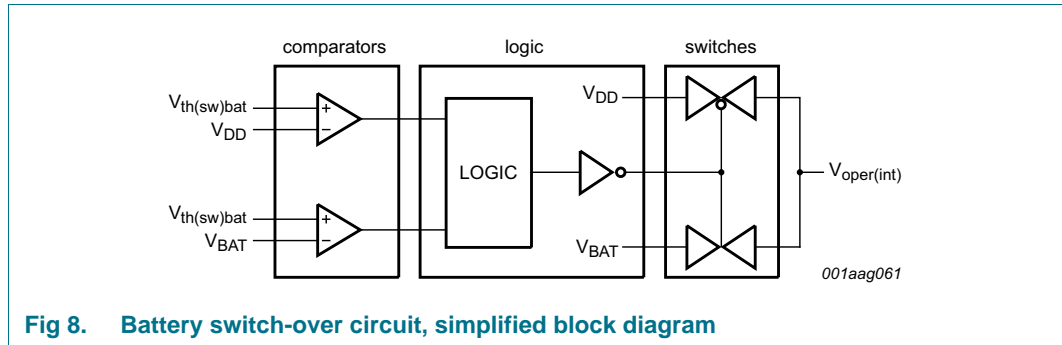


Fig 8. Battery switch-over circuit, simplified block diagram

$V_{oper(int)}$  is at  $V_{DD}$  or  $V_{BAT}$  potential.

**Remark:** It has to be assured that there are decoupling capacitors on the pins  $V_{DD}$ ,  $V_{BAT}$ , and BBS.

8.5.2 Battery low detection function

The PCF2129 has a battery low detection circuit which monitors the status of the battery  $V_{BAT}$ .

When  $V_{BAT}$  drops below the threshold value  $V_{th(bat)low}$  (typically 2.5 V), the BLF flag (register Control\_3) is set to indicate that the battery is low and that it must be replaced. Monitoring of the battery voltage also occurs during battery operation.

An unreliable battery cannot prevent that the supply voltage drops below  $V_{low}$  (typical 1.2 V) and with that the data integrity gets lost. (For further information about  $V_{low}$  see [Section 8.6.](#))

When  $V_{BAT}$  drops below the threshold value  $V_{th(bat)low}$ , the following sequence occurs (see [Figure 9](#)):

1. The battery low flag BLF is set logic 1.
2. An interrupt is generated if the control bit BLIE (register Control\_3) is enabled (see [Section 8.12.7](#)).
3. The flag BLF remains logic 1 until the battery is replaced. BLF cannot be cleared by command. It is automatically cleared by the battery low detection circuit when the battery is replaced or when the voltage rises again above the threshold value. This could happen if a super capacitor is used as a backup source and the main power is applied again.

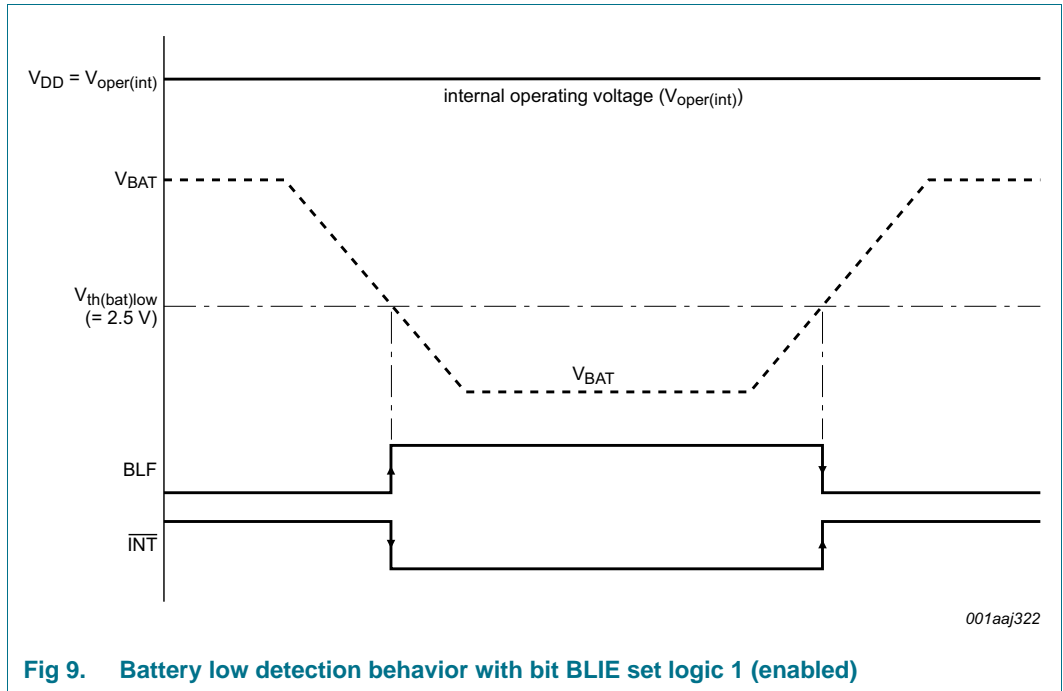


Fig 9. Battery low detection behavior with bit BLIE set logic 1 (enabled)

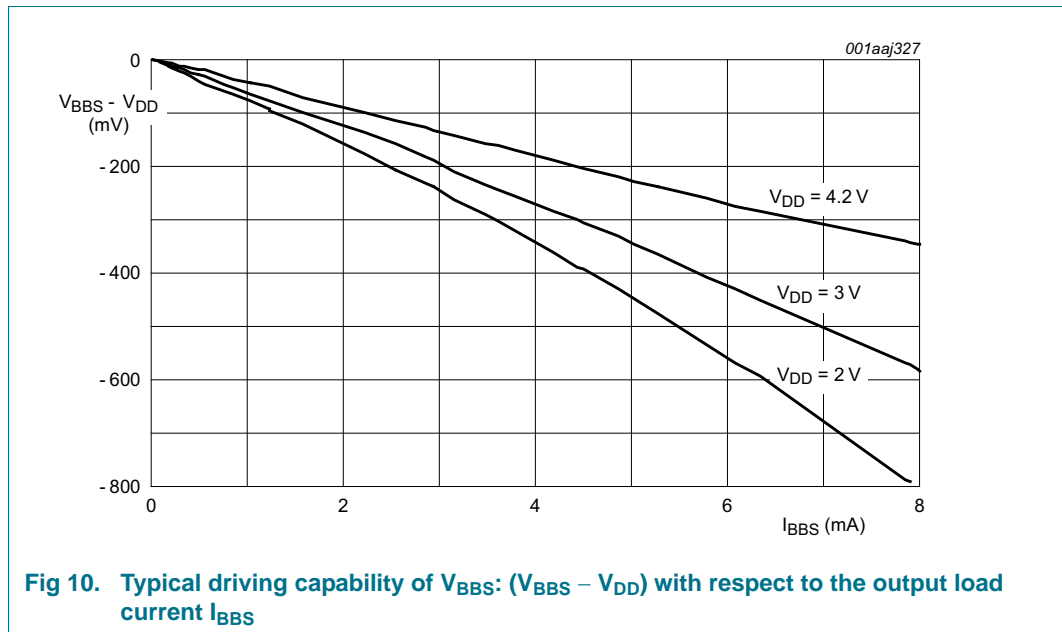
### 8.5.3 Battery backup supply

The  $V_{BBS}$  voltage on the output pin BBS is at the same potential as the internal operating voltage  $V_{oper(int)}$ , depending on the selected battery switch-over function mode:

Table 20. Output pin BBS

Battery switch-over function mode	Conditions	Potential of $V_{oper(int)}$ and $V_{BBS}$
standard	$V_{DD} > V_{BAT}$ OR $V_{DD} > V_{th(sw)bat}$	$V_{DD}$
	$V_{DD} < V_{BAT}$ AND $V_{DD} < V_{th(sw)bat}$	$V_{BAT}$
direct switching	$V_{DD} > V_{BAT}$	$V_{DD}$
	$V_{DD} < V_{BAT}$	$V_{BAT}$
disabled	only $V_{DD}$ available, $V_{BAT}$ must be put to ground	$V_{DD}$

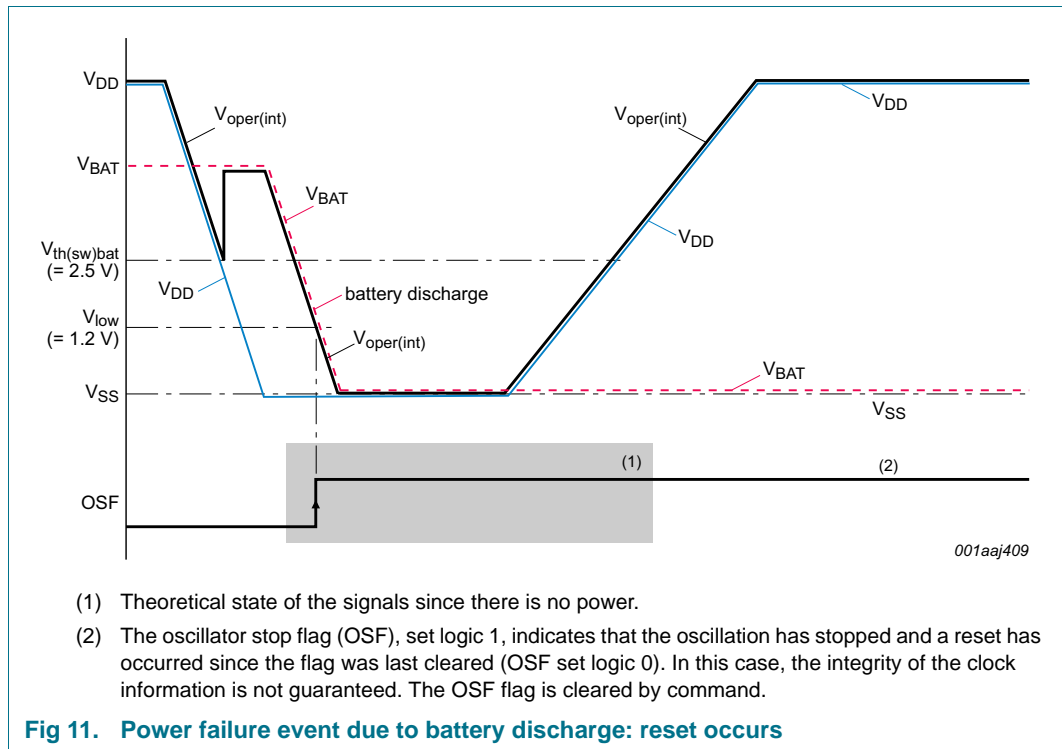
The output pin BBS can be used as a supply for external devices with battery backup needs, such as SRAM (see [Ref. 3 "AN11186"](#)). For this case, [Figure 10](#) shows the typical driving capability when  $V_{BBS}$  is driven from  $V_{DD}$ .



### 8.6 Oscillator stop detection function

The PCF2129 has an on-chip oscillator detection circuit which monitors the status of the oscillation: whenever the oscillation stops, a reset occurs and the oscillator stop flag OSF (in register Seconds) is set logic 1.

- **Power-on:**
  - a. The oscillator is not running, the chip is in reset (OSF is logic 1).
  - b. When the oscillator starts running and is stable after power-on, the chip exits from reset.
  - c. The flag OSF is still logic 1 and can be cleared (OSF set logic 0) by command.
- **Power supply failure:**
  - a. When the power supply of the chip drops below a certain value ( $V_{low}$ ), typically 1.2 V, the oscillator stops running and a reset occurs.
  - b. When the power supply returns to normal operation, the oscillator starts running again, the chip exits from reset.
  - c. The flag OSF is still logic 1 and can be cleared (OSF set logic 0) by command.



**Fig 11. Power failure event due to battery discharge: reset occurs**

## 8.7 Reset function

The PCF2129 has a Power-On Reset (POR) and a Power-On Reset Override (PORO) function implemented.

### 8.7.1 Power-On Reset (POR)

The POR is active whenever the oscillator is stopped. The oscillator is considered to be stopped during the time between power-on and stable crystal resonance (see [Figure 12](#)). This time may be in the range of 200 ms to 2 s depending on temperature and supply voltage. Whenever an internal reset occurs, the oscillator stop flag is set (OSF set logic 1).

The OTP refresh (see [Section 8.3.2 on page 13](#)) should ideally be executed as the first instruction after start-up and also after a reset due to an oscillator stop.



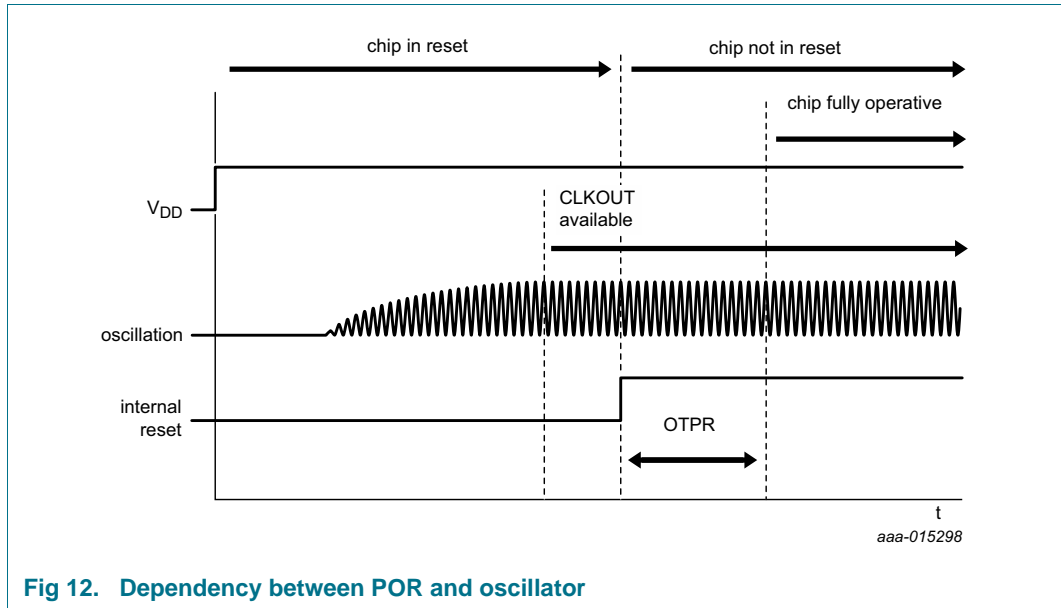


Fig 12. Dependency between POR and oscillator

After POR, the following mode is entered:

- 32.768 kHz CLKOUT active
- Power-On Reset Override (PORO) available to be set
- 24-hour mode is selected
- Battery switch-over is enabled
- Battery low detection is enabled

The register values after power-on are shown in [Table 5 on page 8](#).

### 8.7.2 Power-On Reset Override (PORO)

The POR duration is directly related to the crystal oscillator start-up time. Due to the long start-up times experienced by these types of circuits, a mechanism has been built in to disable the POR and therefore speed up the on-board test of the device.

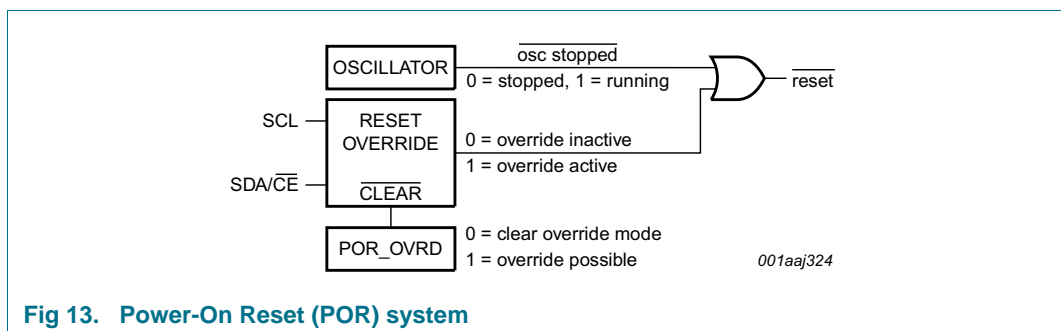


Fig 13. Power-On Reset (POR) system

The setting of the PORO mode requires that POR\_OVRD in register Control\_1 is set logic 1 and that the signals at the interface pins SDA/CĒ and SCL are toggled as illustrated in [Figure 14](#). All timings shown are required minimum.

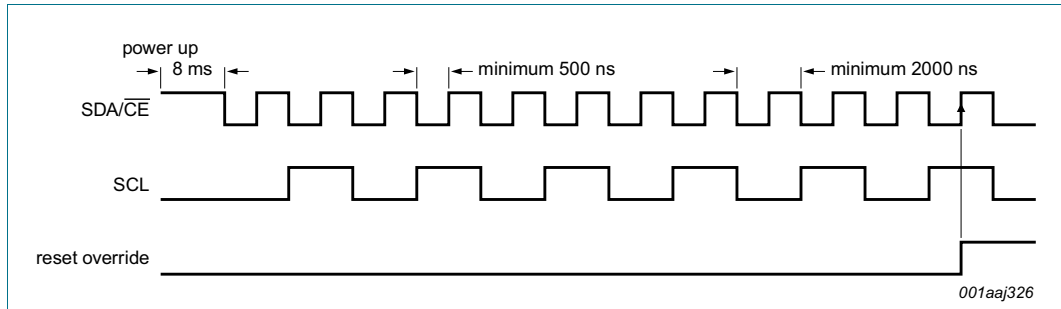


Fig 14. Power-On Reset Override (PORO) sequence, valid for both I<sup>2</sup>C-bus and SPI-bus

Once the override mode is entered, the device is immediately released from the reset state and the set-up operation can commence.

The PORO mode is cleared by writing logic 0 to POR\_OVRD. POR\_OVRD must be logic 1 before a re-entry into the override mode is possible. Setting POR\_OVRD logic 0 during normal operation has no effect except to prevent accidental entry into the PORO mode.

### 8.8 Time and date function

Most of these registers are coded in the Binary Coded Decimal (BCD) format.

#### 8.8.1 Register Seconds

Table 21. Seconds - seconds and clock integrity register (address 03h) bit allocation

Bits labeled as X are undefined at power-on and unchanged by subsequent resets.

Bit	7	6	5	4	3	2	1	0
Symbol	OSF	SECONDS (0 to 59)						
Reset value	1	X	X	X	X	X	X	X

Table 22. Seconds - seconds and clock integrity register (address 03h) bit description

Bits labeled as X are undefined at power-on and unchanged by subsequent resets.

Bit	Symbol	Value	Place value	Description
7	OSF	0	-	clock integrity is guaranteed
		1	-	clock integrity is not guaranteed: oscillator has stopped and chip reset has occurred since flag was last cleared
6 to 4	SECONDS	0 to 5	ten's place	actual seconds coded in BCD format
3 to 0		0 to 9	unit place	

**Table 23. Seconds coded in BCD format**

Seconds value in decimal	Upper-digit (ten's place)			Digit (unit place)			
	Bit 6	Bit 5	Bit 4	Bit 3	Bit 2	Bit 1	Bit 0
00	0	0	0	0	0	0	0
01	0	0	0	0	0	0	1
02	0	0	0	0	0	1	0
:	:	:	:	:	:	:	:
09	0	0	0	1	0	0	1
10	0	0	1	0	0	0	0
:	:	:	:	:	:	:	:
58	1	0	1	1	0	0	0
59	1	0	1	1	0	0	1

### 8.8.2 Register Minutes

**Table 24. Minutes - minutes register (address 04h) bit allocation**

Bit positions labeled as - are not implemented and return 0 when read. Bits labeled as X are undefined at power-on and unchanged by subsequent resets.

Bit	7	6	5	4	3	2	1	0
Symbol	-	MINUTES (0 to 59)						
Reset value	-	X	X	X	X	X	X	X

**Table 25. Minutes - minutes register (address 04h) bit description**

Bit positions labeled as - are not implemented and return 0 when read. Bits labeled as X are undefined at power-on and unchanged by subsequent resets.

Bit	Symbol	Value	Place value	Description
7	-	-	-	unused
6 to 4	MINUTES	0 to 5	ten's place	actual minutes coded in BCD format
3 to 0		0 to 9	unit place	

### 8.8.3 Register Hours

**Table 26. Hours - hours register (address 05h) bit allocation**

Bit positions labeled as - are not implemented and return 0 when read. Bits labeled as X are undefined at power-on and unchanged by subsequent resets.

Bit	7	6	5	4	3	2	1	0
Symbol	-	-	AMPM	HOURS (1 to 12) in 12-hour mode				
			HOURS (0 to 23) in 24-hour mode					
Reset value	-	-	X	X	X	X	X	X

**Table 27. Hours - hours register (address 05h) bit description**

Bit positions labeled as - are not implemented and return 0 when read. Bits labeled as X are undefined at power-on and unchanged by subsequent resets.

Bit	Symbol	Value	Place value	Description
7 to 6	-	-	-	unused
<b>12-hour mode<sup>[1]</sup></b>				
5	AMPM	0	-	indicates AM
		1	-	indicates PM
4	HOURS	0 to 1	ten's place	actual hours coded in BCD format when in 12-hour mode
3 to 0		0 to 9	unit place	
<b>24-hour mode<sup>[1]</sup></b>				
5 to 4	HOURS	0 to 2	ten's place	actual hours coded in BCD format when in 24-hour mode
3 to 0		0 to 9	unit place	

[1] Hour mode is set by the bit 12\_24 in register Control\_1 (see [Table 7](#)).

### 8.8.4 Register Days

**Table 28. Days - days register (address 06h) bit allocation**

Bit positions labeled as - are not implemented and return 0 when read. Bits labeled as X are undefined at power-on and unchanged by subsequent resets.

Bit	7	6	5	4	3	2	1	0
Symbol	-	-	DAYS (1 to 31)					
Reset value	-	-	X	X	X	X	X	X

**Table 29. Days - days register (address 06h) bit description**

Bit	Symbol	Value	Place value	Description
7 to 6	-	-	-	unused
5 to 4	DAYS <sup>[1]</sup>	0 to 3	ten's place	actual day coded in BCD format
3 to 0		0 to 9	unit place	

[1] If the year counter contains a value which is exactly divisible by 4, including the year 00, the RTC compensates for leap years by adding a 29<sup>th</sup> day to February.

### 8.8.5 Register Weekdays

**Table 30. Weekdays - weekdays register (address 07h) bit allocation**

Bit positions labeled as - are not implemented and return 0 when read. Bits labeled as X are undefined at power-on and unchanged by subsequent resets.

Bit	7	6	5	4	3	2	1	0
Symbol	-	-	-	-	-	WEEKDAYS (0 to 6)		
Reset value	-	-	-	-	-	X	X	X

**Table 31. Weekdays - weekdays register (address 07h) bit description**

Bit positions labeled as - are not implemented and return 0 when read. Bits labeled as X are undefined at power-on and unchanged by subsequent resets.

Bit	Symbol	Value	Description
7 to 3	-	-	unused
2 to 0	WEEKDAYS	0 to 6	actual weekday value, see <a href="#">Table 32</a>

Although the association of the weekdays counter to the actual weekday is arbitrary, the PCF2129 assumes that Sunday is 000 and Monday is 001 for the purpose of determining the increment for calendar weeks.

**Table 32. Weekday assignments**

Day <sup>[1]</sup>	Bit		
	2	1	0
Sunday	0	0	0
Monday	0	0	1
Tuesday	0	1	0
Wednesday	0	1	1
Thursday	1	0	0
Friday	1	0	1
Saturday	1	1	0

[1] Definition may be reassigned by the user.

### 8.8.6 Register Months

**Table 33. Months - months register (address 08h) bit allocation**

Bit positions labeled as - are not implemented and return 0 when read. Bits labeled as X are undefined at power-on and unchanged by subsequent resets.

Bit	7	6	5	4	3	2	1	0
Symbol	-	-	-	MONTHS (1 to 12)				
Reset value	-	-	-	X	X	X	X	X

**Table 34. Months - months register (address 08h) bit description**

Bit positions labeled as - are not implemented and return 0 when read. Bits labeled as X are undefined at power-on and unchanged by subsequent resets.

Bit	Symbol	Value	Place value	Description
7 to 5	-	-	-	unused
4	MONTHS	0 to 1	ten's place	actual month coded in BCD format, see <a href="#">Table 35</a>
3 to 0		0 to 9	unit place	

**Table 35. Month assignments in BCD format**

Month	Upper-digit (ten's place)	Digit (unit place)			
	Bit 4	Bit 3	Bit 2	Bit 1	Bit 0
January	0	0	0	0	1
February	0	0	0	1	0
March	0	0	0	1	1
April	0	0	1	0	0
May	0	0	1	0	1
June	0	0	1	1	0
July	0	0	1	1	1
August	0	1	0	0	0
September	0	1	0	0	1
October	1	0	0	0	0
November	1	0	0	0	1
December	1	0	0	1	0

### 8.8.7 Register Years

**Table 36. Years - years register (address 09h) bit allocation**

Bits labeled as X are undefined at power-on and unchanged by subsequent resets.

Bit	7	6	5	4	3	2	1	0
Symbol	YEARS (0 to 99)							
Reset value	X	X	X	X	X	X	X	X

**Table 37. Years - years register (address 09h) bit description**

Bits labeled as X are undefined at power-on and unchanged by subsequent resets.

Bit	Symbol	Value	Place value	Description
7 to 4	YEARS	0 to 9	ten's place	actual year coded in BCD format
3 to 0		0 to 9	unit place	

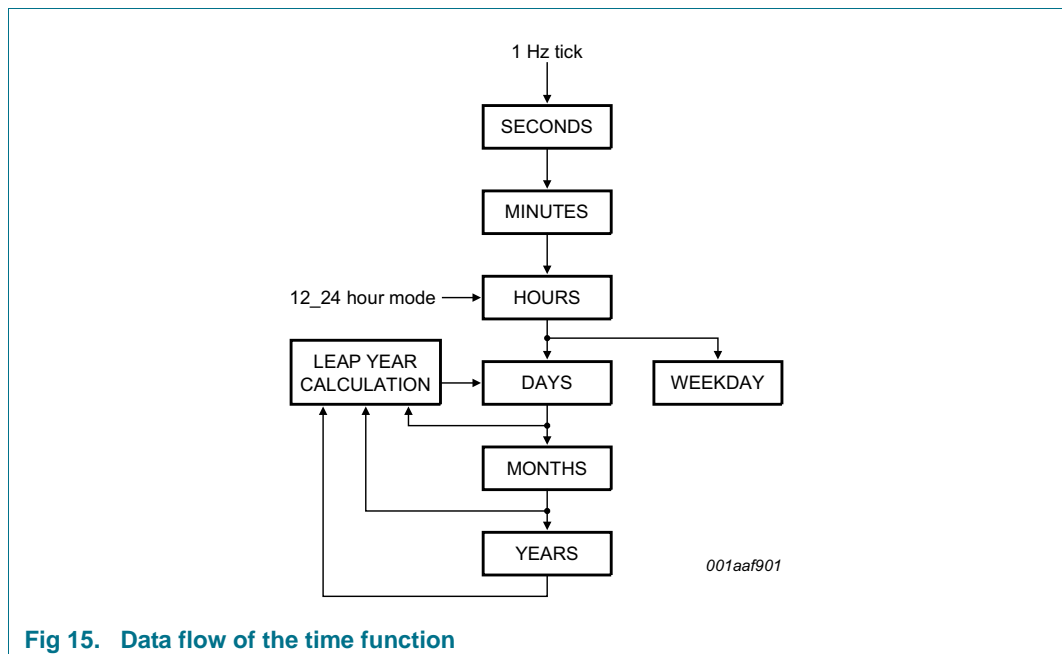
### 8.8.8 Setting and reading the time

Figure 15 shows the data flow and data dependencies starting from the 1 Hz clock tick.

During read/write operations, the time counting circuits (memory locations 03h through 09h) are blocked.

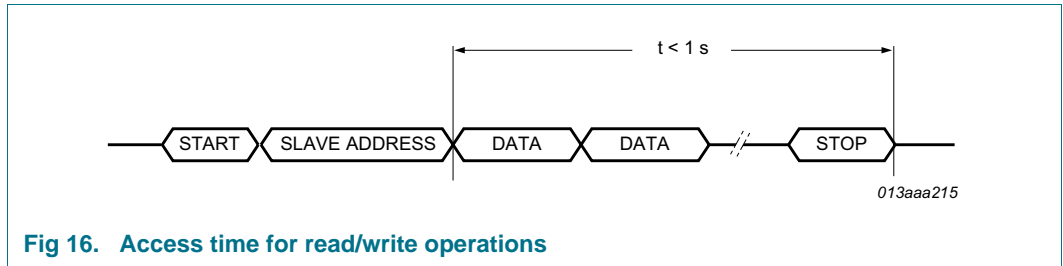
This prevents

- Faulty reading of the clock and calendar during a carry condition
- Incrementing the time registers during the read cycle



**Fig 15. Data flow of the time function**

After this read/write access is completed, the time circuit is released again. Any pending request to increment the time counters that occurred during the read/write access is serviced. A maximum of 1 request can be stored; therefore, all accesses must be completed within 1 second (see Figure 16).



**Fig 16. Access time for read/write operations**

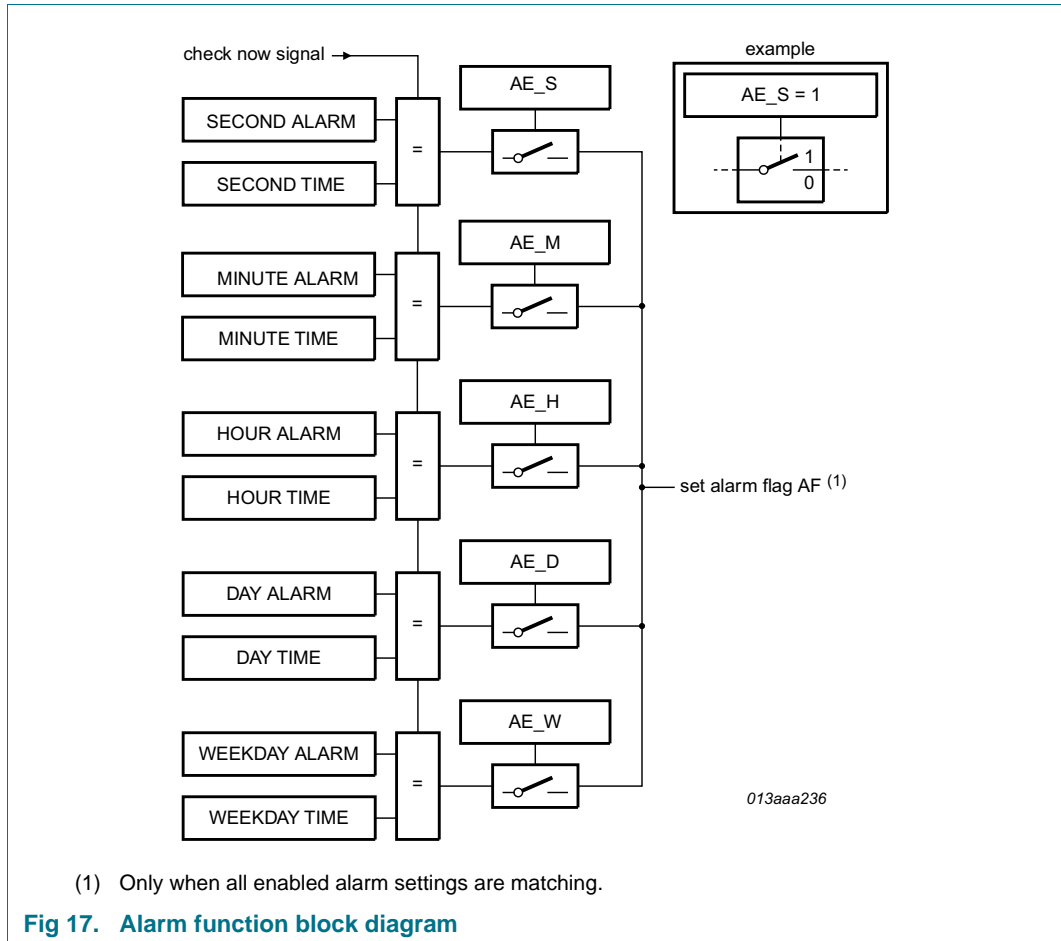
As a consequence of this method, it is very important to make a read or write access in one go. That is, setting or reading seconds through to years should be made in one single access. Failing to comply with this method could result in the time becoming corrupted.

As an example, if the time (seconds through to hours) is set in one access and then in a second access the date is set, it is possible that the time may increment between the two accesses. A similar problem exists when reading. A roll-over may occur between reads thus giving the minutes from one moment and the hours from the next. Therefore it is advised to read all time and date registers in one access.



### 8.9 Alarm function

When one or more of the alarm bit fields are loaded with a valid second, minute, hour, day, or weekday and its corresponding alarm enable bit (AE\_x) is logic 0, then that information is compared with the actual second, minute, hour, day, and weekday (see [Figure 17](#)).



The generation of interrupts from the alarm function is described in [Section 8.12.4](#).

### 8.9.1 Register Second\_alarm

**Table 38. Second\_alarm - second alarm register (address 0Ah) bit allocation**

Bits labeled as X are undefined at power-on and unchanged by subsequent resets.

Bit	7	6	5	4	3	2	1	0
Symbol	AE_S	SECOND_ALARM (0 to 59)						
Reset value	1	X	X	X	X	X	X	X

**Table 39. Second\_alarm - second alarm register (address 0Ah) bit description**

Bit	Symbol	Value	Place value	Description
7	AE_S	0	-	second alarm is enabled
		1	-	second alarm is disabled
6 to 4	SECOND_ALARM	0 to 5	ten's place	second alarm information coded in BCD format
3 to 0		0 to 9	unit place	

### 8.9.2 Register Minute\_alarm

**Table 40. Minute\_alarm - minute alarm register (address 0Bh) bit allocation**

Bits labeled as X are undefined at power-on and unchanged by subsequent resets.

Bit	7	6	5	4	3	2	1	0
Symbol	AE_M	MINUTE_ALARM (0 to 59)						
Reset value	1	X	X	X	X	X	X	X

**Table 41. Minute\_alarm - minute alarm register (address 0Bh) bit description**

Bits labeled as X are undefined at power-on and unchanged by subsequent resets.

Bit	Symbol	Value	Place value	Description
7	AE_M	0	-	minute alarm is enabled
		1	-	minute alarm is disabled
6 to 4	MINUTE_ALARM	0 to 5	ten's place	minute alarm information coded in BCD format
3 to 0		0 to 9	unit place	

### 8.9.3 Register Hour\_alarm

**Table 42. Hour\_alarm - hour alarm register (address 0Ch) bit allocation**

Bit positions labeled as - are not implemented and return 0 when read. Bits labeled as X are undefined at power-on and unchanged by subsequent resets.

Bit	7	6	5	4	3	2	1	0
Symbol	AE_H	-	AMPM	HOUR_ALARM (1 to 12) in 12-hour mode				
			HOUR_ALARM (0 to 23) in 24-hour mode					
Reset value	1	-	X	X	X	X	X	X

**Table 43. Hour\_alarm - hour alarm register (address 0Ch) bit description**

Bit positions labeled as - are not implemented and return 0 when read. Bits labeled as X are undefined at power-on and unchanged by subsequent resets.

Bit	Symbol	Value	Place value	Description
7	AE_H	0	-	hour alarm is enabled
		1	-	hour alarm is disabled
6	-	-	-	unused
<b>12-hour mode<sup>[1]</sup></b>				
5	AMPM	0	-	indicates AM
		1	-	indicates PM
4	HOUR_ALARM	0 to 1	ten's place	hour alarm information coded in BCD format when in 12-hour mode
3 to 0		0 to 9	unit place	
<b>24-hour mode<sup>[1]</sup></b>				
5 to 4	HOUR_ALARM	0 to 2	ten's place	hour alarm information coded in BCD format when in 24-hour mode
3 to 0		0 to 9	unit place	

[1] Hour mode is set by the bit 12\_24 in register Control\_1.

### 8.9.4 Register Day\_alarm

**Table 44. Day\_alarm - day alarm register (address 0Dh) bit allocation**

Bit positions labeled as - are not implemented and return 0 when read. Bits labeled as X are undefined at power-on and unchanged by subsequent resets.

Bit	7	6	5	4	3	2	1	0
Symbol	AE_D	-	DAY_ALARM (1 to 31)					
Reset value	1	-	X	X	X	X	X	X

**Table 45. Day\_alarm - day alarm register (address 0Dh) bit description**

Bit positions labeled as - are not implemented and return 0 when read. Bits labeled as X are undefined at power-on and unchanged by subsequent resets.

Bit	Symbol	Value	Place value	Description
7	AE_D	0	-	day alarm is enabled
		1	-	day alarm is disabled
6	-	-	-	unused
5 to 4	DAY_ALARM	0 to 3	ten's place	day alarm information coded in BCD format
3 to 0		0 to 9	unit place	

### 8.9.5 Register Weekday\_alarm

**Table 46. Weekday\_alarm - weekday alarm register (address 0Eh) bit allocation**

Bit positions labeled as - are not implemented and return 0 when read. Bits labeled as X are undefined at power-on and unchanged by subsequent resets.

Bit	7	6	5	4	3	2	1	0
Symbol	AE_W	-	-	-	-	WEEKDAY_ALARM (0 to 6)		
Reset value	1	-	-	-	-	X	X	X

**Table 47. Weekday\_alarm - weekday alarm register (address 0Eh) bit description**

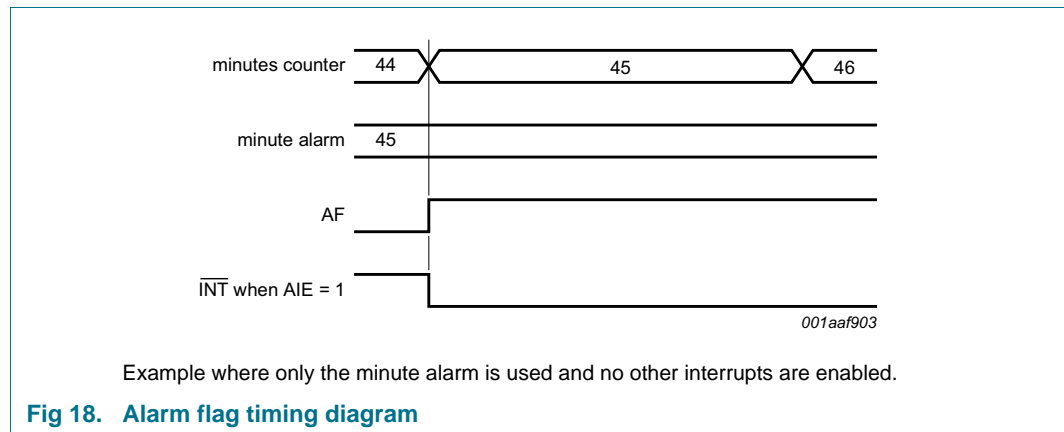
Bit positions labeled as - are not implemented and return 0 when read. Bits labeled as X are undefined at power-on and unchanged by subsequent resets.

Bit	Symbol	Value	Description
7	AE_W	0	weekday alarm is enabled
		1	weekday alarm is disabled
6 to 3	-	-	unused
2 to 0	WEEKDAY_ALARM	0 to 6	weekday alarm information

### 8.9.6 Alarm flag

When all enabled comparisons first match, the alarm flag AF (register Control\_2) is set. AF remains set until cleared by command. Once AF has been cleared, it will only be set again when the time increments to match the alarm condition once more. For clearing the flags, see [Section 8.10.5](#)

Alarm registers which have their alarm enable bit AE\_x at logic 1 are ignored.



### 8.10 Timer functions

The PCF2129 has a watchdog timer function. The timer can be switched on and off by using the control bit WD\_CD in the register Watchdog\_tim\_ctl.

The watchdog timer has four selectable source clocks. It can, for example, be used to detect a microcontroller with interrupt and reset capability which is out of control (see [Section 8.10.3](#))

To control the timer function and timer output, the registers Control\_2, Watchdog\_tim\_ctl, and Watchdog\_tim\_val are used.

### 8.10.1 Register Watchdg\_tim\_ctl

**Table 48. Watchdg\_tim\_ctl - watchdog timer control register (address 10h) bit allocation**

Bit positions labeled as - are not implemented and return 0 when read. Bits labeled as T must always be written with logic 0.

Bit	7	6	5	4	3	2	1	0
Symbol	WD_CD	T	TI_TP	-	-	-	TF[1:0]	
Reset value	0	0	0	-	-	-	1	1

**Table 49. Watchdg\_tim\_ctl - watchdog timer control register (address 10h) bit description**

Bit positions labeled as - are not implemented and return 0 when read. Bits labeled as T must always be written with logic 0.

Bit	Symbol	Value	Description
7	WD_CD	0	watchdog timer disabled
		1	watchdog timer enabled; the interrupt pin $\overline{\text{INT}}$ is activated when timed out
6	T	0	unused
5	TI_TP	0	the interrupt pin $\overline{\text{INT}}$ is configured to generate a permanent active signal when MSF is set
		1	the interrupt pin $\overline{\text{INT}}$ is configured to generate a pulsed signal when MSF flag is set (see <a href="#">Figure 21</a> )
4 to 2	-	-	unused
1 to 0	TF[1:0]		timer source clock for watchdog timer
		00	4.096 kHz
		01	64 Hz
		10	1 Hz
		11	$\frac{1}{60}$ Hz

### 8.10.2 Register Watchdg\_tim\_val

**Table 50. Watchdg\_tim\_val - watchdog timer value register (address 11h) bit allocation**

Bits labeled as X are undefined at power-on and unchanged by subsequent resets.

Bit	7	6	5	4	3	2	1	0
Symbol	WATCHDG_TIM_VAL[7:0]							
Reset value	X	X	X	X	X	X	X	X

**Table 51. Watchdg\_tim\_val - watchdog timer value register (address 11h) bit description**

Bits labeled as X are undefined at power-on and unchanged by subsequent resets.

Bit	Symbol	Value	Description
7 to 0	WATCHDG_TIM_VAL[7:0]	00 to FF	timer period in seconds: $\text{TimerPeriod} = \frac{n}{\text{SourceClockFrequency}}$ where n is the timer value

**Table 52. Programmable watchdog timer**

TF[1:0]	Timer source clock frequency	Units	Minimum timer period (n = 1)	Units	Maximum timer period (n = 255)	Units
00	4.096	kHz	244	μs	62.256	ms
01	64	Hz	15.625	ms	3.984	s
10	1	Hz	1	s	255	s
11	1/60	Hz	60	s	15300	s

### 8.10.3 Watchdog timer function

The watchdog timer function is enabled or disabled by the WD\_CD bit of the register Watchdg\_tim\_ctl (see [Table 49](#)).

The 2 bits TF[1:0] in register Watchdg\_tim\_ctl determine one of the four source clock frequencies for the watchdog timer: 4.096 kHz, 64 Hz, 1 Hz, or 1/60 Hz (see [Table 52](#)).

When the watchdog timer function is enabled, the 8-bit timer in register Watchdg\_tim\_val determines the watchdog timer period (see [Table 52](#)).

The watchdog timer counts down from the software programmed 8-bit binary value n in register Watchdg\_tim\_val. When the counter reaches 1, the watchdog timer flag WDTF (register Control\_2) is set logic 1 and an interrupt is generated.

The counter does not automatically reload.

When WD\_CD is logic 0 (watchdog timer disabled) and the Microcontroller Unit (MCU) loads a watchdog timer value n:

- the flag WDTF is reset
- $\overline{\text{INT}}$  is cleared
- the watchdog timer starts again

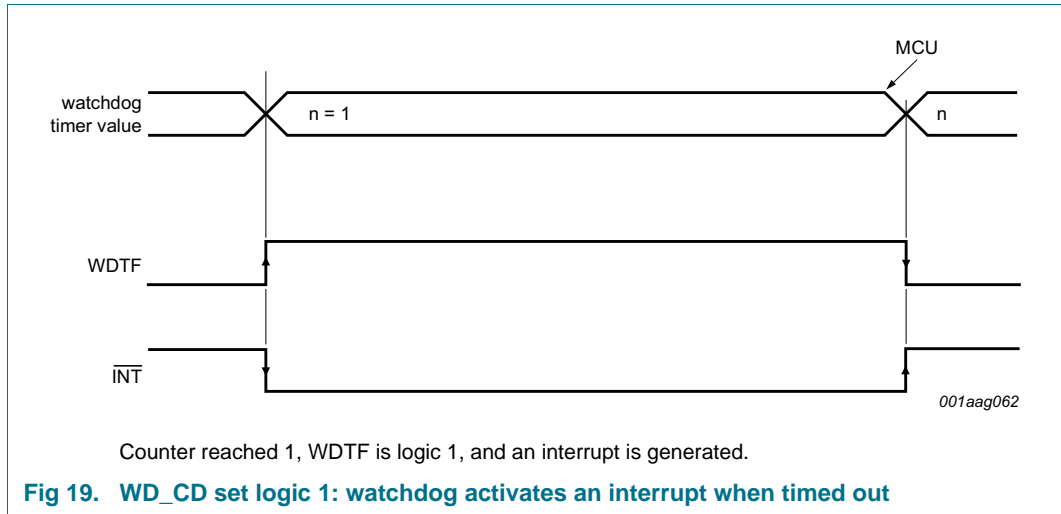
Loading the counter with 0 will:

- reset the flag WDTF
- clear  $\overline{\text{INT}}$
- stop the watchdog timer

**Remark:** WDTF is read only and cannot be cleared by command. WDTF can be cleared by:

- loading a value in register Watchdg\_tim\_val
- reading of the register Control\_2

Writing a logic 0 or logic 1 to WDTF has no effect.



- When the watchdog timer counter reaches 1, the watchdog timer flag WDTF is set logic 1
- When a minute or second interrupt occurs, the minute/second flag MSF is set logic 1 (see [Section 8.12.1](#)).

**8.10.4 Pre-defined timers: second and minute interrupt**

PCF2129 has two pre-defined timers which are used to generate an interrupt either once per second or once per minute (see [Section 8.12.1](#)). The pulse generator for the minute or second interrupt operates from an internal 64 Hz clock. It is independent of the watchdog timer. Each of these timers can be enabled by the bits SI (second interrupt) and MI (minute interrupt) in register Control\_1.

**8.10.5 Clearing flags**

The flags MSF, AF, and TSF<sub>x</sub> can be cleared by command. To prevent one flag being overwritten while clearing another, a logic AND is performed during the write access. A flag is cleared by writing logic 0 while a flag is not cleared by writing logic 1. Writing logic 1 results in the flag value remaining unchanged.

Two examples are given for clearing the flags. Clearing a flag is made by a write command:

- Bits labeled with - must be written with their previous values
- Bits labeled with T have to be written with logic 0
- WDTF is read only and has to be written with logic 0

Repeatedly rewriting these bits has no influence on the functional behavior.

**Table 53. Flag location in register Control\_2**

Register	Bit							
	7	6	5	4	3	2	1	0
Control_2	MSF	WDTF	TSF2	AF	T	-	-	T

Table 54. Example values in register Control\_2

Register	Bit							
	7	6	5	4	3	2	1	0
Control_2	1	0	1	1	0	0	0	0

The following tables show what instruction must be sent to clear the appropriate flag.

Table 55. Example to clear only AF (bit 4)

Register	Bit							
	7	6	5	4	3	2	1	0
Control_2	1	0	1	0	0	0 <sup>[1]</sup>	0 <sup>[1]</sup>	0

[1] The bits labeled as - have to be rewritten with the previous values.

Table 56. Example to clear only MSF (bit 7)

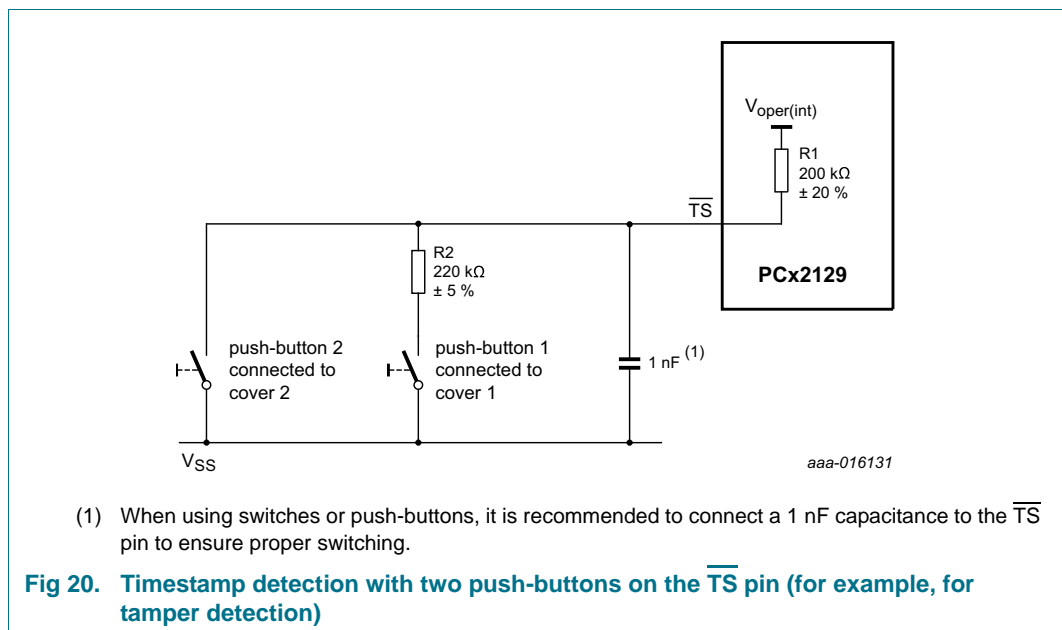
Register	Bit							
	7	6	5	4	3	2	1	0
Control_2	0	0	1	1	0	0 <sup>[1]</sup>	0 <sup>[1]</sup>	0

[1] The bits labeled as - have to be rewritten with the previous values.

### 8.11 Timestamp function

The PCF2129 has an active LOW timestamp input pin  $\overline{TS}$ , internally pulled with an on-chip pull-up resistor to  $V_{oper(int)}$ . It also has a timestamp detection circuit which can detect two different events:

1. Input on pin  $\overline{TS}$  is driven to an intermediate level between power supply and ground.
2. Input on pin  $\overline{TS}$  is driven to ground.



The timestamp function is enabled by default after power-on and it can be switched off by setting the control bit TSOFF (register Timestp\_ctl).



A most common application of the timestamp function is described in [Ref. 3 "AN11186"](#).

See [Section 8.12.5](#) for a description of interrupt generation from the timestamp function.

### 8.11.1 Timestamp flag

1. When the  $\overline{TS}$  input pin is driven to an intermediate level between the power supply and ground, either on the falling edge from  $V_{DD}$  or on the rising edge from ground, then the following sequence occurs:
  - a. The actual date and time are stored in the timestamp registers.
  - b. The timestamp flag TSF1 (register Control\_1) is set.
  - c. If the TSIE bit (register Control\_2) is active, an interrupt on the  $\overline{INT}$  pin is generated.

The TSF1 flag can be cleared by command. Clearing the flag clears the interrupt. Once TSF1 is cleared, it will only be set again when a new negative or positive edge on pin  $\overline{TS}$  is detected.

2. When the  $\overline{TS}$  input pin is driven to ground, the following sequence occurs:
  - a. The actual date and time are stored in the timestamp registers.
  - b. In addition to the TSF1 flag, the TSF2 flag (register Control\_2) is set.
  - c. If the TSIE bit is active, an interrupt on the  $\overline{INT}$  pin is generated.

The TSF1 and TSF2 flags can be cleared by command; clearing both flags clears the interrupt. Once TSF2 is cleared, it will only be set again when  $\overline{TS}$  pin is driven to ground once again.

### 8.11.2 Timestamp mode

The timestamp function has two different modes selected by the control bit TSM (timestamp mode) in register Timestp\_ctl:

- If TSM is logic 0 (default): in subsequent trigger events without clearing the timestamp flags, the last timestamp event is stored
- If TSM is logic 1: in subsequent trigger events without clearing the timestamp flags, the first timestamp event is stored

The timestamp function also depends on the control bit BTSE in register Control\_3, see [Section 8.11.4](#).

### 8.11.3 Timestamp registers

#### 8.11.3.1 Register Timestp\_ctl

**Table 57. Timestp\_ctl - timestamp control register (address 12h) bit allocation**

Bit positions labeled as - are not implemented and return 0 when read. Bits labeled as X are undefined at power-on and unchanged by subsequent resets.

Bit	7	6	5	4	3	2	1	0
Symbol	TSM	TSOFF	-	1_O_16_TIMESTP[4:0]				
Reset value	0	0	-	X	X	X	X	X

**Table 58. Timestp\_ctl - timestamp control register (address 12h) bit description**

Bit positions labeled as - are not implemented and return 0 when read. Bits labeled as X are undefined at power-on and unchanged by subsequent resets.

Bit	Symbol	Value	Description
7	TSM	0	in subsequent events without clearing the timestamp flags, the last event is stored
		1	in subsequent events without clearing the timestamp flags, the first event is stored
6	TSOFF	0	timestamp function active
		1	timestamp function disabled
5	-	-	unused
4 to 0	1_O_16_TIMESTP[4:0]		$\frac{1}{16}$ second timestamp information coded in BCD format

#### 8.11.3.2 Register Sec\_timestp

**Table 59. Sec\_timestp - second timestamp register (address 13h) bit allocation**

Bit positions labeled as - are not implemented and return 0 when read. Bits labeled as X are undefined at power-on and unchanged by subsequent resets.

Bit	7	6	5	4	3	2	1	0
Symbol	-	SECOND_TIMESTP (0 to 59)						
Reset value	-	X	X	X	X	X	X	X

**Table 60. Sec\_timestp - second timestamp register (address 13h) bit description**

Bit positions labeled as - are not implemented and return 0 when read. Bits labeled as X are undefined at power-on and unchanged by subsequent resets.

Bit	Symbol	Value	Place value	Description
7	-	-	-	unused
6 to 4	SECOND_TIMESTP	0 to 5	ten's place	second timestamp information coded in BCD format
3 to 0		0 to 9	unit place	

### 8.11.3.3 Register Min\_timestp

**Table 61. Min\_timestp - minute timestamp register (address 14h) bit allocation**

Bit positions labeled as - are not implemented and return 0 when read. Bits labeled as X are undefined at power-on and unchanged by subsequent resets.

Bit	7	6	5	4	3	2	1	0
Symbol	-	MINUTE_TIMESTP (0 to 59)						
Reset value	-	X	X	X	X	X	X	X

**Table 62. Min\_timestp - minute timestamp register (address 14h) bit description**

Bit positions labeled as - are not implemented and return 0 when read. Bits labeled as X are undefined at power-on and unchanged by subsequent resets.

Bit	Symbol	Value	Place value	Description
7	-	-	-	unused
6 to 4	MINUTE_TIMESTP	0 to 5	ten's place	minute timestamp information coded in BCD format
3 to 0		0 to 9	unit place	

### 8.11.3.4 Register Hour\_timestp

**Table 63. Hour\_timestp - hour timestamp register (address 15h) bit allocation**

Bit positions labeled as - are not implemented and return 0 when read. Bits labeled as X are undefined at power-on and unchanged by subsequent resets.

Bit	7	6	5	4	3	2	1	0
Symbol	-	-	AMPM	HOUR_TIMESTP (1 to 12) in 12-hour mode				
				HOUR_TIMESTP (0 to 23) in 24-hour mode				
Reset value	-	-	X	X	X	X	X	X

**Table 64. Hour\_timestp - hour timestamp register (address 15h) bit description**

Bit positions labeled as - are not implemented and return 0 when read. Bits labeled as X are undefined at power-on and unchanged by subsequent resets.

Bit	Symbol	Value	Place value	Description
7 to 6	-	-	-	unused
<b>12-hour mode<sup>[1]</sup></b>				
5	AMPM	0	-	indicates AM
		1	-	indicates PM
4	HOUR_TIMESTP	0 to 1	ten's place	hour timestamp information coded in BCD format when in 12-hour mode
3 to 0		0 to 9	unit place	
<b>24-hour mode<sup>[1]</sup></b>				
5 to 4	HOUR_TIMESTP	0 to 2	ten's place	hour timestamp information coded in BCD format when in 24-hour mode
3 to 0		0 to 9	unit place	

[1] Hour mode is set by the bit 12\_24 in register Control\_1.

### 8.11.3.5 Register Day\_timestp

**Table 65. Day\_timestp - day timestamp register (address 16h) bit allocation**

Bit positions labeled as - are not implemented and return 0 when read. Bits labeled as X are undefined at power-on and unchanged by subsequent resets.

Bit	7	6	5	4	3	2	1	0
Symbol	-	-	DAY_TIMESTP (1 to 31)					
Reset value	-	-	X	X	X	X	X	X

**Table 66. Day\_timestp - day timestamp register (address 16h) bit description**

Bit positions labeled as - are not implemented and return 0 when read. Bits labeled as X are undefined at power-on and unchanged by subsequent resets.

Bit	Symbol	Value	Place value	Description
7 to 6	-	-	-	unused
5 to 4	DAY_TIMESTP	0 to 3	ten's place	day timestamp information coded in BCD format
3 to 0		0 to 9	unit place	

### 8.11.3.6 Register Mon\_timestp

**Table 67. Mon\_timestp - month timestamp register (address 17h) bit allocation**

Bit positions labeled as - are not implemented and return 0 when read. Bits labeled as X are undefined at power-on and unchanged by subsequent resets.

Bit	7	6	5	4	3	2	1	0
Symbol	-	-	-	MONTH_TIMESTP (1 to 12)				
Reset value	-	-	-	X	X	X	X	X

**Table 68. Mon\_timestp - month timestamp register (address 17h) bit description**

Bit positions labeled as - are not implemented and return 0 when read. Bits labeled as X are undefined at power-on and unchanged by subsequent resets.

Bit	Symbol	Value	Place value	Description
7 to 5	-	-	-	unused
4	MONTH_TIMESTP	0 to 1	ten's place	month timestamp information coded in BCD format
3 to 0		0 to 9	unit place	

### 8.11.3.7 Register Year\_timestp

**Table 69. Year\_timestp - year timestamp register (address 18h) bit allocation**

Bits labeled as X are undefined at power-on and unchanged by subsequent resets.

Bit	7	6	5	4	3	2	1	0
Symbol	YEAR_TIMESTP (0 to 99)							
Reset value	X	X	X	X	X	X	X	X

**Table 70. Year\_timestp - year timestamp register (address 18h) bit description**

Bits labeled as X are undefined at power-on and unchanged by subsequent resets.

Bit	Symbol	Value	Place value	Description
7 to 4	YEAR_TIMESTP	0 to 9	ten's place	year timestamp information coded in BCD format
3 to 0		0 to 9	unit place	

### 8.11.4 Dependency between Battery switch-over and timestamp

The timestamp function depends on the control bit BTSE in register Control\_3:

Table 71. Battery switch-over and timestamp

BTSE	BF	Description
0	- <sup>[1]</sup>	the battery switch-over does not affect the timestamp registers
1	0 <sup>[1]</sup>	If a battery switch-over event occurs: the timestamp registers store the time and date when the switch-over occurs; after this event occurred BF is set logic 1
	1	the timestamp registers are not modified; in this condition subsequent battery switch-over events or falling edges on pin $\overline{\text{TS}}$ are not registered

[1] Default value.

### 8.12 Interrupt output, $\overline{\text{INT}}$

PCF2129 has an interrupt output pin  $\overline{\text{INT}}$  which is open-drain, active LOW (requiring a pull-up resistor if used). Interrupts may be sourced from different places:

- second or minute timer
- watchdog timer
- alarm
- timestamp
- battery switch-over
- battery low detection

The control bit TI\_TP (register Watchdg\_tim\_ctl) is used to configure whether the interrupts generated from the second/minute timer (flag MSF in register Control\_2) are pulsed signals or a permanently active signal. All the other interrupt sources generate a permanently active interrupt signal which follows the status of the corresponding flags. When the interrupt sources are all disabled,  $\overline{\text{INT}}$  remains high-impedance.

- The flags MSF, AF, TSFx, and BF can be cleared by command.
- The flag WDTF is read only. How it can be cleared is explained in [Section 8.10.5](#).
- The flag BLF is read only. It is cleared automatically from the battery low detection circuit when the battery is replaced.

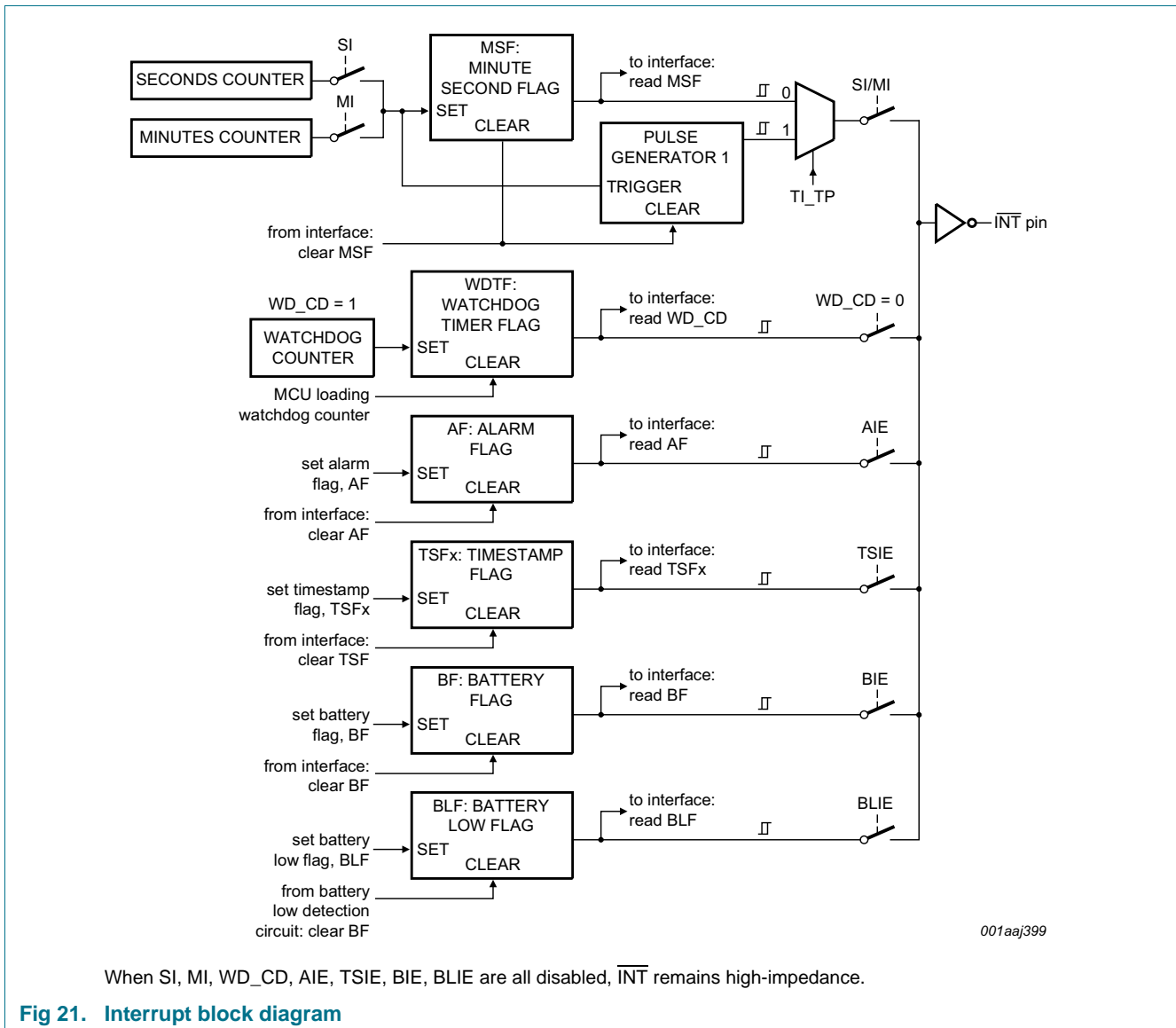


Fig 21. Interrupt block diagram

### 8.12.1 Minute and second interrupts

Minute and second interrupts are generated by predefined timers. The timers can be enabled independently from one another by the bits MI and SI in register Control\_1. However, a minute interrupt enabled on top of a second interrupt cannot be distinguishable since it occurs at the same time.

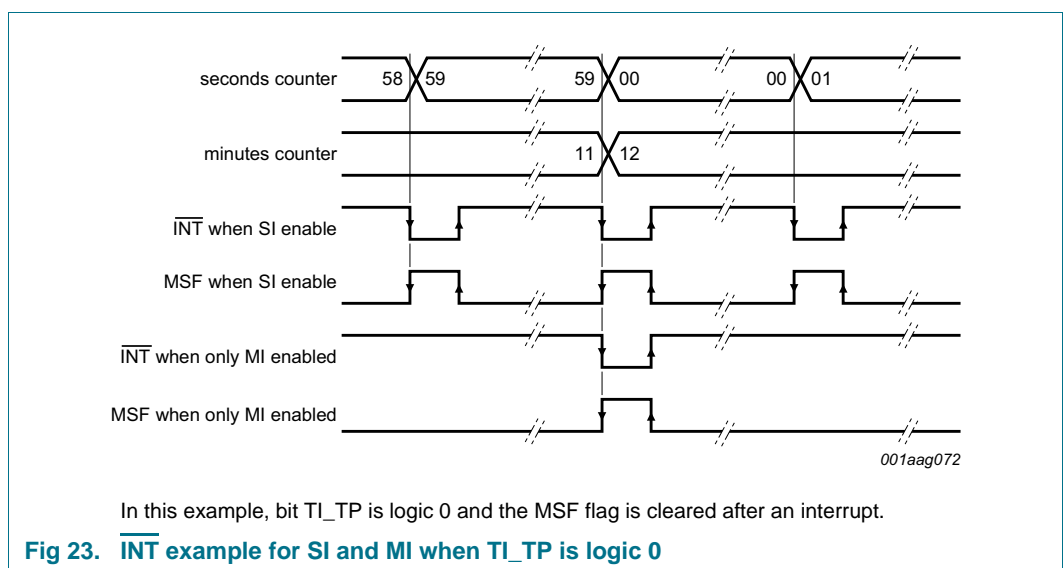
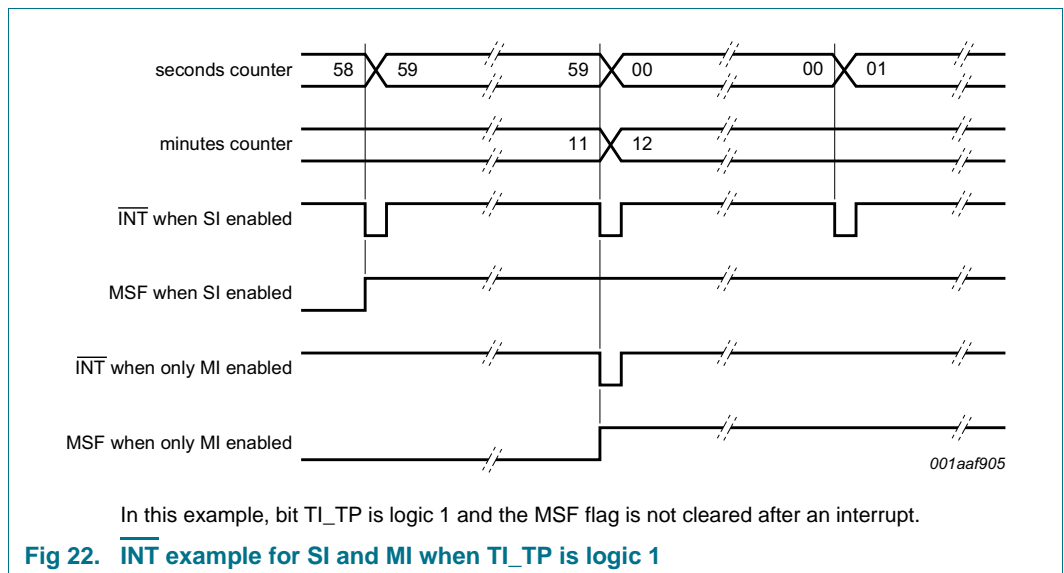
The minute/second flag MSF (register Control\_2) is set logic 1 when either the seconds or the minutes counter increments according to the enabled interrupt (see Table 72). The MSF flag can be cleared by command.

**Table 72. Effect of bits MI and SI on pin  $\overline{\text{INT}}$  and bit MSF**

MI	SI	Result on $\overline{\text{INT}}$	Result on MSF
0	0	no interrupt generated	MSF never set
1	0	an interrupt once per minute	MSF set when <b>minutes</b> counter increments
0	1	an interrupt once per second	MSF set when <b>seconds</b> counter increments
1	1	an interrupt once per second	MSF set when <b>seconds</b> counter increments

When MSF is set logic 1:

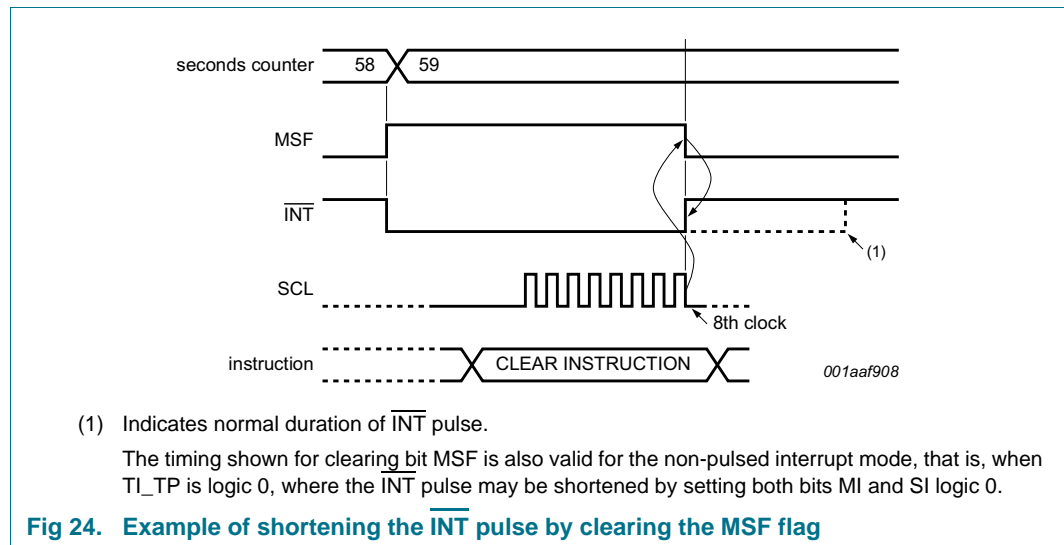
- If TI\_TP is logic 1, the interrupt is generated as a pulsed signal.
- If TI\_TP is logic 0, the interrupt is permanently active signal that remains until MSF is cleared.



The pulse generator for the minute/second interrupt operates from an internal 64 Hz clock and generates a pulse of  $\frac{1}{64}$  seconds in duration.

### 8.12.2 $\overline{\text{INT}}$ pulse shortening

If the MSF flag (register Control\_2) is cleared before the end of the  $\overline{\text{INT}}$  pulse, then the  $\overline{\text{INT}}$  pulse is shortened. This allows the source of a system interrupt to be cleared immediately when it is serviced, that is, the system does not have to wait for the completion of the pulse before continuing; see [Figure 24](#). Instructions for clearing the bit MSF can be found in [Section 8.10.5](#).



### 8.12.3 Watchdog timer interrupts

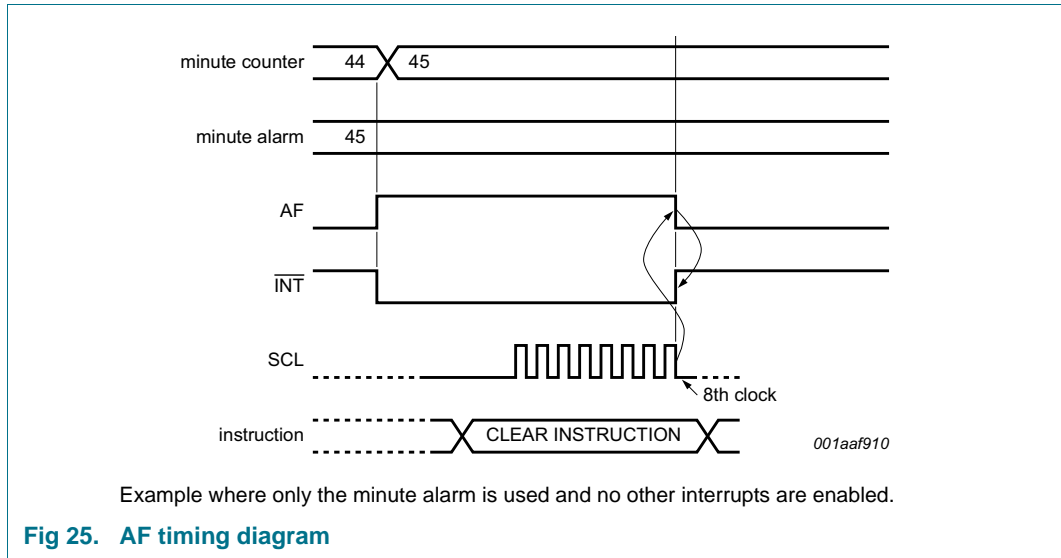
The generation of interrupts from the watchdog timer is controlled using the WD\_CD bit (register Watchdog\_tim\_ctl). The interrupt is generated as an active signal which follows the status of the watchdog timer flag WDTF (register Control\_2). No pulse generation is possible for watchdog timer interrupts.

The interrupt is cleared when the flag WDTF is reset. WDTF is a read-only bit and cannot be cleared by command. Instructions for clearing it can be found in [Section 8.10.5](#).

### 8.12.4 Alarm interrupts

Generation of interrupts from the alarm function is controlled by the bit AIE (register Control\_2). If AIE is enabled, the  $\overline{\text{INT}}$  pin follows the status of bit AF (register Control\_2). Clearing AF immediately clears  $\overline{\text{INT}}$ . No pulse generation is possible for alarm interrupts.





**8.12.5 Timestamp interrupts**

Interrupt generation from the timestamp function is controlled using the TSIE bit (register Control\_2). If TSIE is enabled, the INT pin follows the status of the flags TSFx. Clearing the flags TSFx immediately clears INT. No pulse generation is possible for timestamp interrupts.

**8.12.6 Battery switch-over interrupts**

Generation of interrupts from the battery switch-over is controlled by the BIE bit (register Control\_3). If BIE is enabled, the INT pin follows the status of bit BF in register Control\_3 (see Table 71). Clearing BF immediately clears INT. No pulse generation is possible for battery switch-over interrupts.

**8.12.7 Battery low detection interrupts**

Generation of interrupts from the battery low detection is controlled by the BLIE bit (register Control\_3). If BLIE is enabled, the INT pin follows the status of bit BLF (register Control\_3). The interrupt is cleared when the battery is replaced (BLF is logic 0) or when bit BLIE is disabled (BLIE is logic 0). BLF is read only and therefore cannot be cleared by command.

**8.13 External clock test mode**

A test mode is available which allows on-board testing. In this mode, it is possible to set up test conditions and control the operation of the RTC.

The test mode is entered by setting bit EXT\_TEST logic 1 (register Control\_1). Then pin CLKOUT becomes an input. The test mode replaces the internal clock signal (64 Hz) with the signal applied to pin CLKOUT. Every 64 positive edges applied to pin CLKOUT generate an increment of one second.

The signal applied to pin CLKOUT should have a minimum pulse width of 300 ns and a maximum period of 1000 ns. The internal clock, now sourced from CLKOUT, is divided down by a 2<sup>6</sup> divider chain called prescaler (see [Table 73](#)). The prescaler can be set into a known state by using bit STOP. When bit STOP is logic 1, the prescaler is reset to 0. STOP must be cleared before the prescaler can operate again.

From a stop condition, the first 1 second increment will take place after 32 positive edges on pin CLKOUT. Thereafter, every 64 positive edges cause a 1 second increment.

**Remark:** Entry into test mode is not synchronized to the internal 64 Hz clock. When entering the test mode, no assumption as to the state of the prescaler can be made.

Operating example:

1. Set EXT\_TEST test mode (register Control\_1, EXT\_TEST is logic 1).
2. Set bit STOP (register Control\_1, STOP is logic 1).
3. Set time registers to desired value.
4. Clear STOP (register Control\_1, STOP is logic 0).
5. Apply 32 clock pulses to CLKOUT.
6. Read time registers to see the first change.
7. Apply 64 clock pulses to CLKOUT.
8. Read time registers to see the second change.

Repeat 7 and 8 for additional increments.

### 8.14 STOP bit function

The function of the STOP bit is to allow for accurate starting of the time circuits. STOP causes the upper part of the prescaler (F<sub>9</sub> to F<sub>14</sub>) to be held in reset and thus no 1 Hz ticks are generated. The time circuits can then be set and will not increment until the STOP bit is released. STOP doesn't affect the CLKOUT signal but the output of the prescaler in the range of 32 Hz to 1 Hz (see [Figure 26](#)).

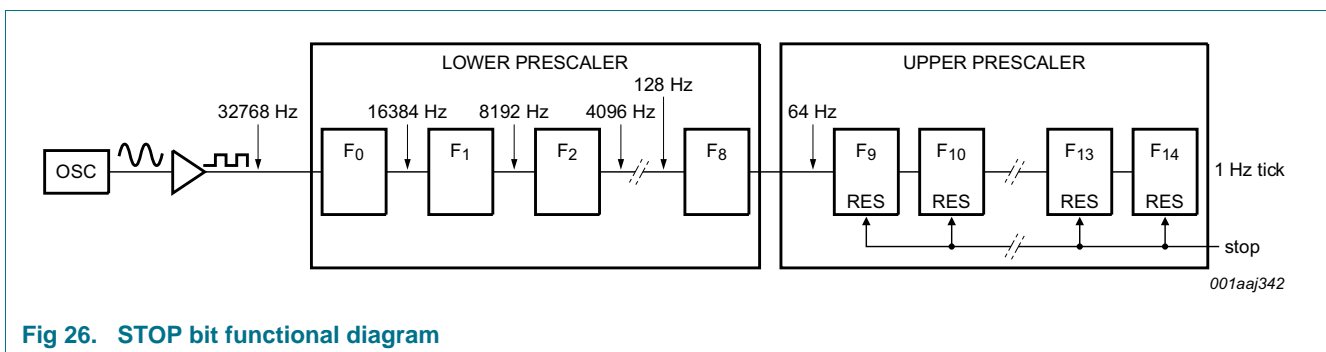


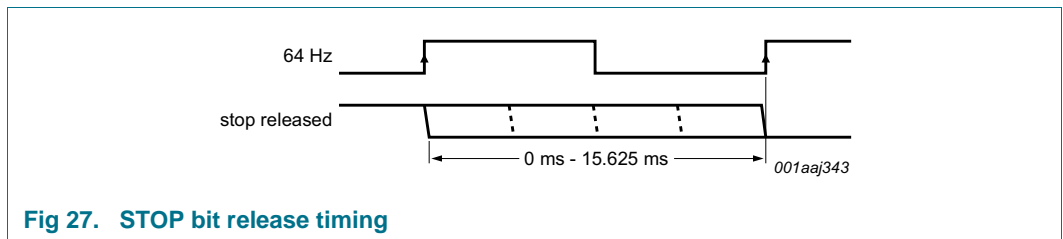
Fig 26. STOP bit functional diagram

The lower stages of the prescaler, F<sub>0</sub> to F<sub>8</sub>, are not reset and because the I<sup>2</sup>C-bus and the SPI-bus are asynchronous to the crystal oscillator, the accuracy of restarting the time circuits is between 0 and one 64 Hz cycle (0.484375 s and 0.500000 s), see [Table 73](#) and [Figure 27](#).

Table 73. First increment of time circuits after stop release

Bit STOP	Prescaler bits <sup>[1]</sup> F <sub>0</sub> to F <sub>8</sub> - F <sub>9</sub> to F <sub>14</sub>	1 Hz tick	Time hh:mm:ss	Comment
<b>Clock is running normally</b>				
0	010000111-010100		12:45:12	prescaler counting normally
<b>STOP bit is activated by user. F<sub>0</sub> to F<sub>8</sub> are not reset and values cannot be predicted externally</b>				
1	xxxxxxxx-000000		12:45:12	prescaler is reset; time circuits are frozen
<b>New time is set by user</b>				
1	xxxxxxxx-000000		08:00:00	prescaler is reset; time circuits are frozen
<b>STOP bit is released by user</b>				
0	xxxxxxxx-000000		08:00:00	prescaler is now running
0	xxxxxxxx-100000		08:00:00	
0	xxxxxxxx-100000		08:00:00	
0	xxxxxxxx-110000		08:00:00	
:	:		:	
0	11111111-111110		08:00:00	
0	00000000-000001		08:00:01	0 to 1 transition of F <sub>14</sub> increments the time circuits
0	10000000-000001		08:00:01	
:	:		:	
0	11111111-111111		08:00:01	
0	00000000-000000		08:00:01	
0	10000000-000000			
:	:		:	
0	11111111-111110		08:00:01	
0	00000000-000001		08:00:02	0 to 1 transition of F <sub>14</sub> increments the time circuits

[1] F<sub>0</sub> is clocked at 32.768 kHz.

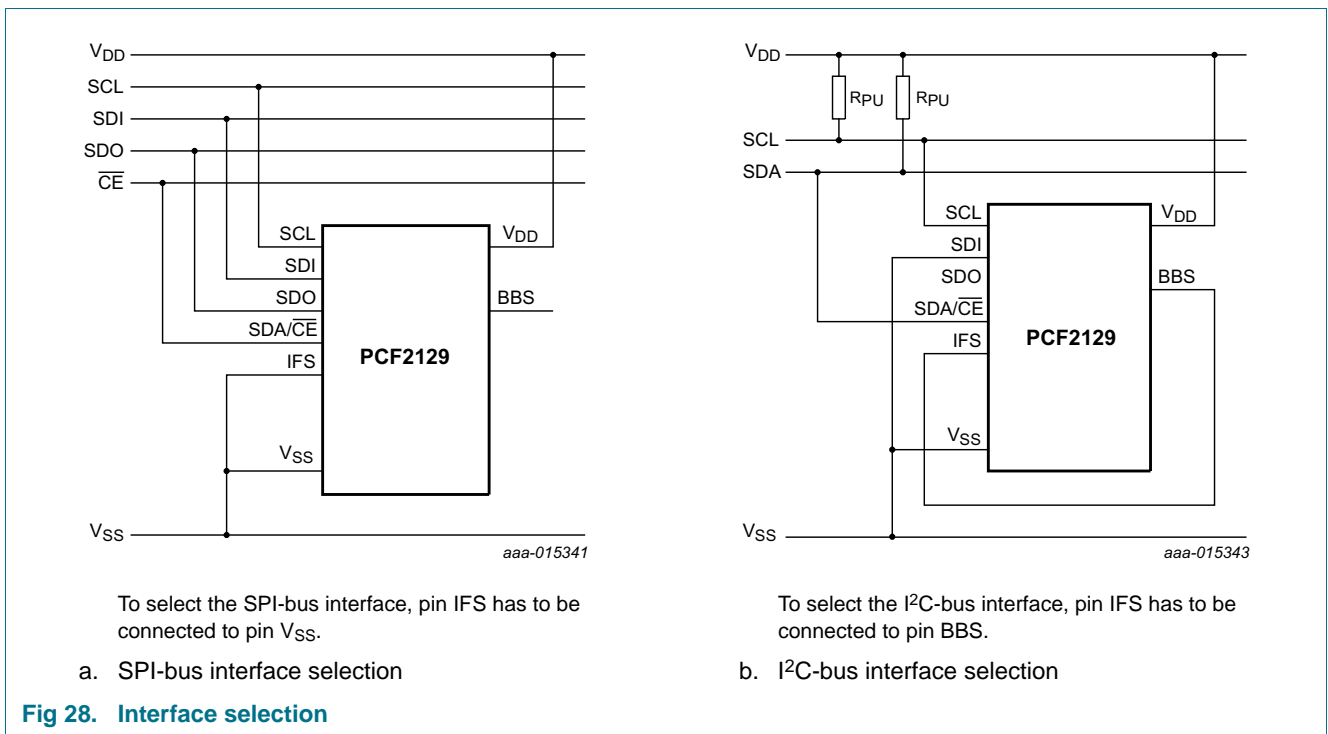


## 9. Interfaces

The PCF2129 has an I<sup>2</sup>C-bus or SPI-bus interface using the same pins. The selection is done using the interface selection pin IFS (see [Table 74](#)).

**Table 74. Interface selection input pin IFS**

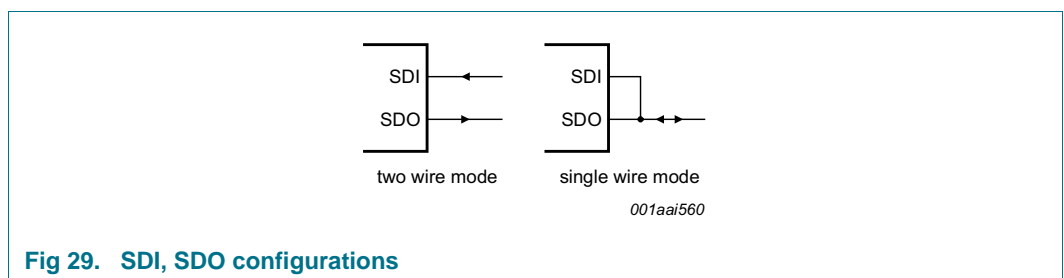
Pin	Connection	Bus interface	Reference
IFS	V <sub>SS</sub>	SPI-bus	<a href="#">Section 9.1</a>
	BBS	I <sup>2</sup> C-bus	<a href="#">Section 9.2</a>



**Fig 28. Interface selection**

### 9.1 SPI-bus interface

Data transfer to and from the device is made by a 3 line SPI-bus (see [Table 75](#)). The data lines for input and output are split. The data input and output line can be connected together to facilitate a bidirectional data bus (see [Figure 29](#)). The SPI-bus is initialized whenever the chip enable line pin SDA/CE is inactive.



**Fig 29. SDI, SDO configurations**

**Table 75. Serial interface**

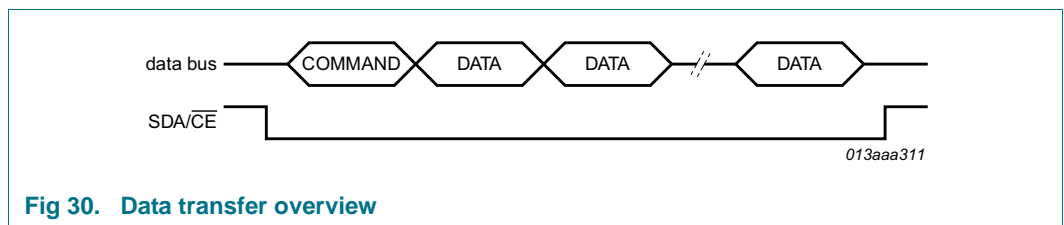
Symbol	Function	Description
SDA/ $\overline{\text{CE}}$	chip enable input; active LOW	[1] when HIGH, the interface is reset; input may be higher than $V_{DD}$
SCL	serial clock input	when SDA/ $\overline{\text{CE}}$ is HIGH, input may float; input may be higher than $V_{DD}$
SDI	serial data input	when SDA/ $\overline{\text{CE}}$ is HIGH, input may float; input may be higher than $V_{DD}$ ; input data is sampled on the rising edge of SCL
SDO	serial data output	push-pull output; drives from $V_{SS}$ to $V_{oper(int)}$ ( $V_{BBS}$ ); output data is changed on the falling edge of SCL

[1] The chip enable must not be wired permanently LOW.

**9.1.1 Data transmission**

The chip enable signal is used to identify the transmitted data. Each data transfer is a whole byte, with the Most Significant Bit (MSB) sent first.

The transmission is controlled by the active LOW chip enable signal SDA/ $\overline{\text{CE}}$ . The first byte transmitted is the command byte. Subsequent bytes are either data to be written or data to be read (see [Figure 30](#)).

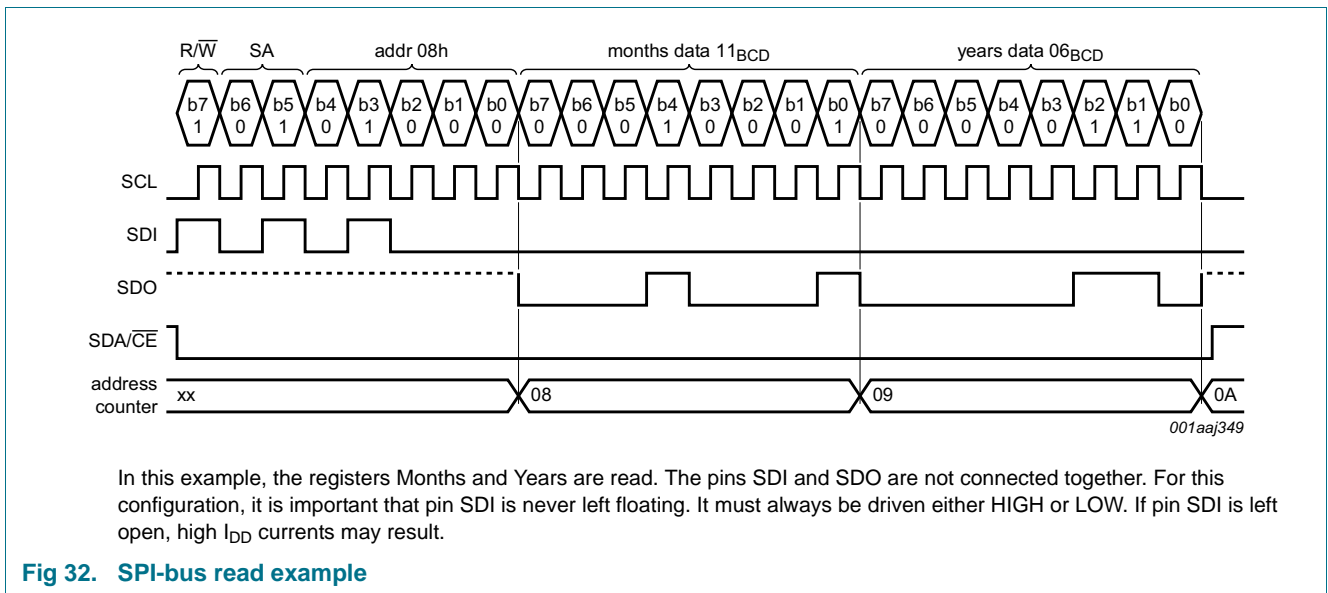
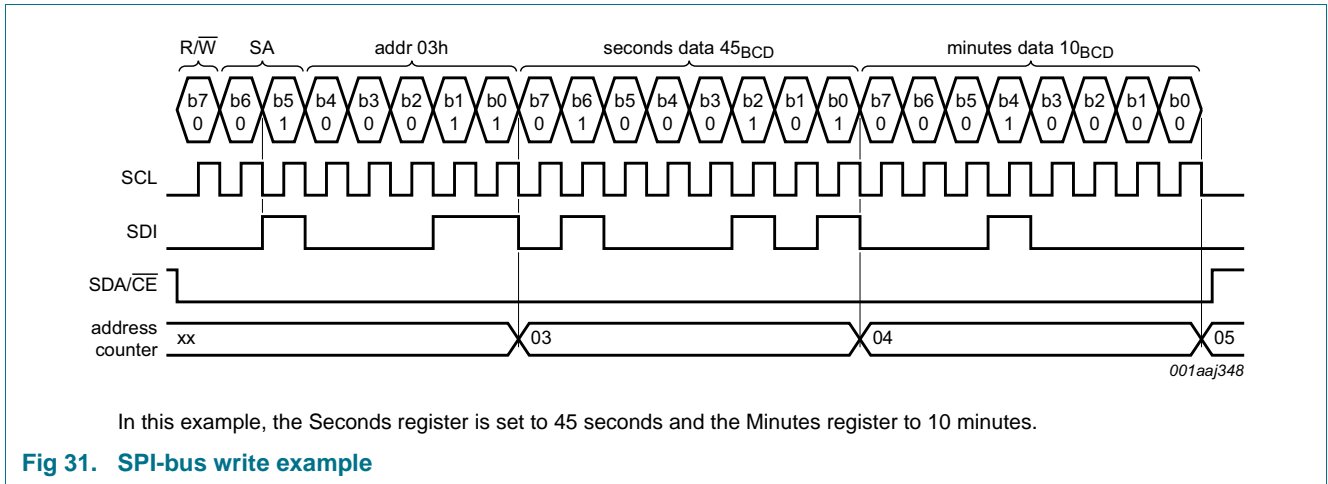


**Fig 30. Data transfer overview**

The command byte defines the address of the first register to be accessed and the read/write mode. The address counter will auto increment after every access and will reset to zero after the last valid register is accessed. The  $\overline{\text{R/W}}$  bit defines if the following bytes are read or write information.

**Table 76. Command byte definition**

Bit	Symbol	Value	Description
7	$\overline{\text{R/W}}$		data read or write selection
		0	write data
		1	read data
6 to 5	SA	01	subaddress; other codes will cause the device to ignore data transfer
4 to 0	RA	00h to 1Bh	register address



## 9.2 I<sup>2</sup>C-bus interface

The I<sup>2</sup>C-bus is for bidirectional, two-line communication between different ICs or modules. The two lines are a Serial Data line (SDA) and a Serial Clock line (SCL). Both lines are connected to a positive supply by a pull-up resistor. Data transfer is initiated only when the bus is not busy.

### 9.2.1 Bit transfer

One data bit is transferred during each clock pulse. The data on the SDA line remains stable during the HIGH period of the clock pulse as changes in the data line at this time are interpreted as control signals (see [Figure 33](#)).

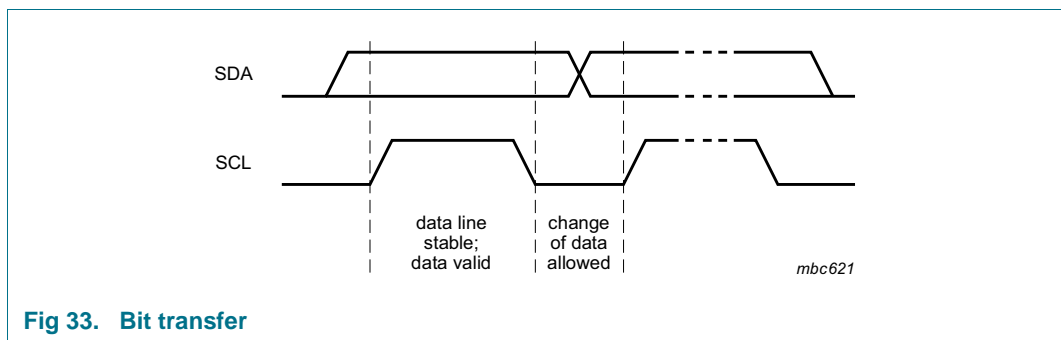


Fig 33. Bit transfer

### 9.2.2 START and STOP conditions

Both data and clock lines remain HIGH when the bus is not busy. A HIGH-to-LOW transition of the data line, while the clock is HIGH, is defined as the START condition S. A LOW-to-HIGH transition of the data line while the clock is HIGH is defined as the STOP condition P (see [Figure 34](#)).

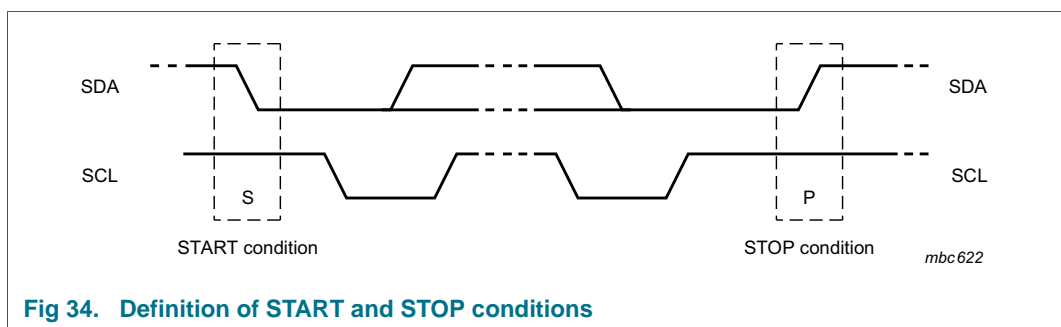


Fig 34. Definition of START and STOP conditions

**Remark:** For the PCF2129, a repeated START is not allowed. Therefore a STOP has to be released before the next START.

### 9.2.3 System configuration

A device generating a message is a transmitter; a device receiving a message is the receiver. The device that controls the message is the master; and the devices which are controlled by the master are the slaves.

The PCF2129 can act as a slave transmitter and a slave receiver.

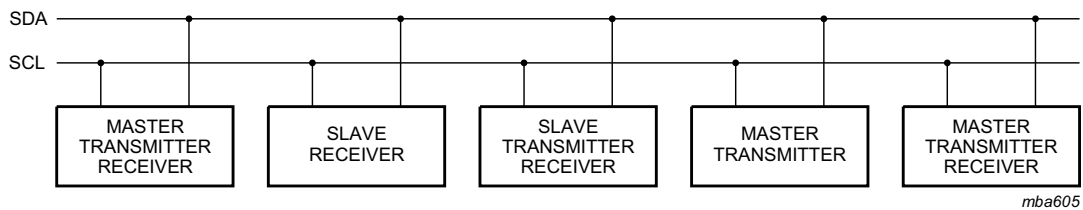


Fig 35. System configuration

### 9.2.4 Acknowledge

The number of data bytes transferred between the START and STOP conditions from transmitter to receiver is unlimited. Each byte of 8 bits is followed by an acknowledge cycle.

- A slave receiver which is addressed must generate an acknowledge after the reception of each byte.
- Also a master receiver must generate an acknowledge after the reception of each byte that has been clocked out of the slave transmitter.
- The device that acknowledges must pull-down the SDA line during the acknowledge clock pulse, so that the SDA line is stable LOW during the HIGH period of the acknowledge related clock pulse (set-up and hold times must be considered).
- A master receiver must signal an end of data to the transmitter by not generating an acknowledge on the last byte that has been clocked out of the slave. In this event, the transmitter must leave the data line HIGH to enable the master to generate a STOP condition.

Acknowledgement on the I<sup>2</sup>C-bus is illustrated in [Figure 36](#).

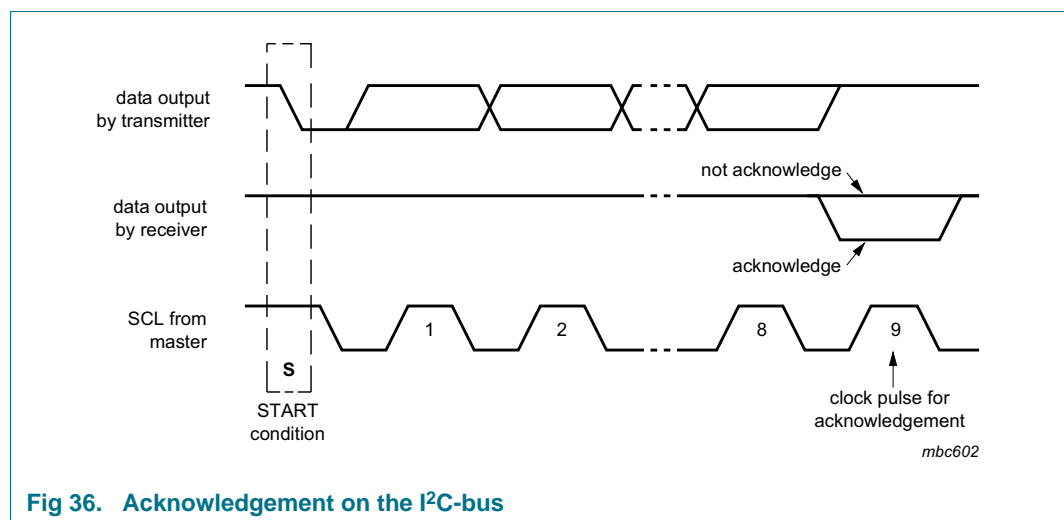


Fig 36. Acknowledgement on the I<sup>2</sup>C-bus

### 9.2.5 I<sup>2</sup>C-bus protocol

After a start condition, a valid hardware address has to be sent to a PCF2129 device. The appropriate I<sup>2</sup>C-bus slave address is 1010001. The entire I<sup>2</sup>C-bus slave address byte is shown in [Table 77](#).



Table 77. I<sup>2</sup>C slave address byte

		Slave address							
Bit	7	6	5	4	3	2	1	0	
	MSB							LSB	
	1	0	1	0	0	0	1	R/W	

The R/W bit defines the direction of the following single or multiple byte data transfer (read is logic 1, write is logic 0).

For the format and the timing of the START condition (S), the STOP condition (P), and the acknowledge (A) refer to the I<sup>2</sup>C-bus specification [Ref. 13 “UM10204”](#) and the characteristics table ([Table 82](#)). In the write mode, a data transfer is terminated by sending a STOP condition. A repeated START (Sr) condition is not applicable.

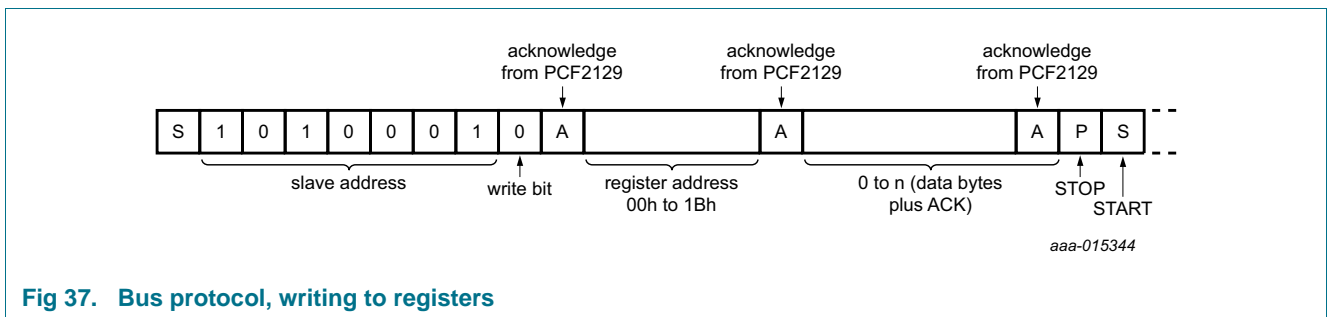


Fig 37. Bus protocol, writing to registers

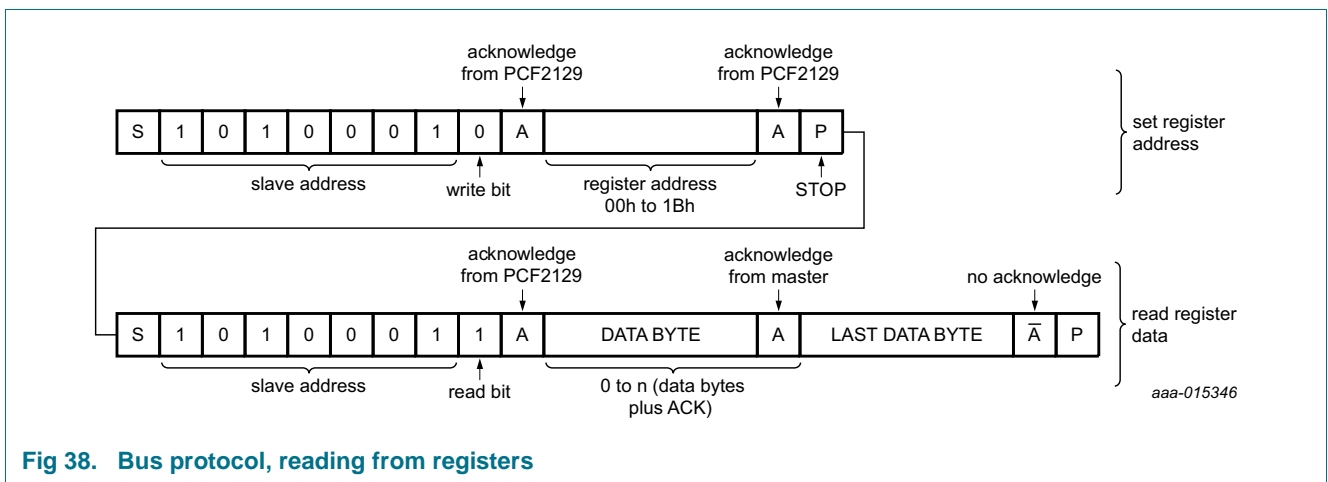


Fig 38. Bus protocol, reading from registers

### 9.3 Bus communication and battery backup operation

To save power during battery backup operation (see [Section 8.5.1](#)), the bus interfaces are inactive. Therefore the communication via I<sup>2</sup>C- or SPI-bus should be terminated before the supply of the PCF2129 is switched from V<sub>DD</sub> to V<sub>BAT</sub>.

**Remark:** If the I<sup>2</sup>C-bus communication was terminated uncontrolled, the I<sup>2</sup>C-bus has to be reinitialized by sending a STOP followed by a START after the device switched back from battery backup operation to V<sub>DD</sub> supply operation.

## 10. Internal circuitry

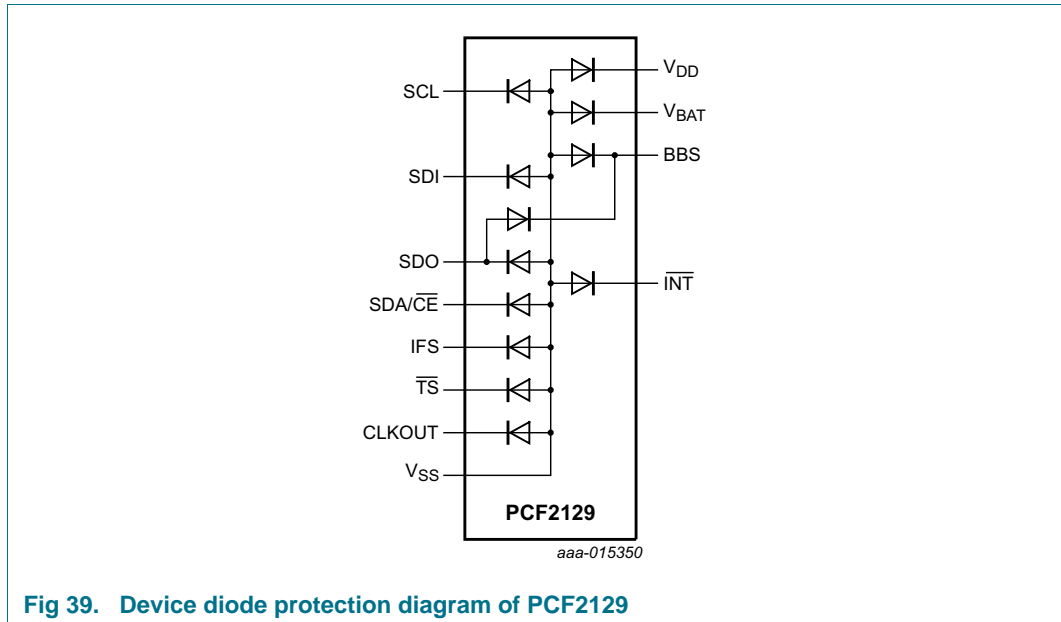


Fig 39. Device diode protection diagram of PCF2129

## 11. Safety notes

### CAUTION



This device is sensitive to ElectroStatic Discharge (ESD). Observe precautions for handling electrostatic sensitive devices.

Such precautions are described in the *ANSI/ESD S20.20*, *IEC/ST 61340-5*, *JESD625-A* or equivalent standards.

## 12. Limiting values

**Table 78. Limiting values**

In accordance with the Absolute Maximum Rating System (IEC 60134).

Symbol	Parameter	Conditions	Min	Max	Unit
V <sub>DD</sub>	supply voltage		-0.5	+6.5	V
I <sub>DD</sub>	supply current		-50	+50	mA
V <sub>i</sub>	input voltage		-0.5	+6.5	V
I <sub>I</sub>	input current		-10	+10	mA
V <sub>O</sub>	output voltage		-0.5	+6.5	V
I <sub>O</sub>	output current		-10	+10	mA
		at pin SDA/ $\overline{\text{CE}}$	-10	+20	mA
V <sub>BAT</sub>	battery supply voltage		-0.5	+6.5	V
P <sub>tot</sub>	total power dissipation		-	300	mW
V <sub>ESD</sub>	electrostatic discharge voltage	HBM [1]	-	±4000	V
		CDM [2]	-	±1250	V
I <sub>Iu</sub>	latch-up current		[3]	200	mA
T <sub>stg</sub>	storage temperature		[4]	+85	°C
T <sub>amb</sub>	ambient temperature	operating device	-40	+85	°C

[1] Pass level; Human Body Model (HBM) according to [Ref. 7 "JESD22-A114"](#).

[2] Pass level; Charged-Device Model (CDM), according to [Ref. 8 "JESD22-C101"](#).

[3] Pass level; latch-up testing according to [Ref. 9 "JESD78"](#) at maximum ambient temperature (T<sub>amb(max)</sub>).

[4] According to the store and transport requirements (see [Ref. 14 "UM10569"](#)) the devices have to be stored at a temperature of +8 °C to +45 °C and a humidity of 25 % to 75 %.

### 13. Static characteristics

**Table 79. Static characteristics**

$V_{DD} = 1.8\text{ V to }4.2\text{ V}$ ;  $V_{SS} = 0\text{ V}$ ;  $T_{amb} = -40\text{ }^{\circ}\text{C to }+85\text{ }^{\circ}\text{C}$ , unless otherwise specified.

Symbol	Parameter	Conditions	Min	Typ	Max	Unit	
<b>Supplies</b>							
$V_{DD}$	supply voltage		[1] 1.8	-	4.2	V	
$V_{BAT}$	battery supply voltage		1.8	-	4.2	V	
$V_{DD(cal)}$	calibration supply voltage		-	3.3	-	V	
$V_{low}$	low voltage		-	1.2	-	V	
$I_{DD}$	supply current	interface active; supplied by $V_{DD}$					
		SPI-bus ( $f_{SCL} = 6.5\text{ MHz}$ )	-	-	800	$\mu\text{A}$	
		I <sup>2</sup> C-bus ( $f_{SCL} = 400\text{ kHz}$ )	-	-	200	$\mu\text{A}$	
		interface inactive ( $f_{SCL} = 0\text{ Hz}$ ) <sup>[2]</sup> ; TCR[1:0] = 00 (see <a href="#">Table 13 on page 12</a> )					
		PWRMNG[2:0] = 111 (see <a href="#">Table 19 on page 16</a> ); TSOFF = 1 (see <a href="#">Table 58 on page 41</a> ); COF[2:0] = 111 (see <a href="#">Table 15 on page 14</a> )					
		$V_{DD} = 1.8\text{ V}$	-	470	-	nA	
		$V_{DD} = 3.3\text{ V}$	-	700	1500	nA	
		$V_{DD} = 4.2\text{ V}$	-	800	-	nA	
		PWRMNG[2:0] = 111 (see <a href="#">Table 19 on page 16</a> ); TSOFF = 1 (see <a href="#">Table 58 on page 41</a> ); COF[2:0] = 000 (see <a href="#">Table 15 on page 14</a> )					
		$V_{DD} = 1.8\text{ V}$	-	560	-	nA	
		$V_{DD} = 3.3\text{ V}$	-	850	-	nA	
		$V_{DD} = 4.2\text{ V}$	-	1050	-	nA	
		PWRMNG[2:0] = 000 (see <a href="#">Table 19 on page 16</a> ); TSOFF = 0 (see <a href="#">Table 58 on page 41</a> ); COF[2:0] = 111 (see <a href="#">Table 15 on page 14</a> )					
		$V_{DD}$ or $V_{BAT} = 1.8\text{ V}$ [3]	-	1750	-	nA	
		$V_{DD}$ or $V_{BAT} = 3.3\text{ V}$ [3]	-	2150	-	nA	
		$V_{DD}$ or $V_{BAT} = 4.2\text{ V}$ [3]	-	2350	3500	nA	
		PWRMNG[2:0] = 000 (see <a href="#">Table 19 on page 16</a> ); TSOFF = 0 (see <a href="#">Table 58 on page 41</a> ); COF[2:0] = 000 (see <a href="#">Table 15 on page 14</a> )					
		$V_{DD}$ or $V_{BAT} = 1.8\text{ V}$ [3]	-	1840	-	nA	
		$V_{DD}$ or $V_{BAT} = 3.3\text{ V}$ [3]	-	2300	-	nA	
		$V_{DD}$ or $V_{BAT} = 4.2\text{ V}$ [3]	-	2600	-	nA	
$I_{L(bat)}$	battery leakage current	$V_{DD}$ is active supply; $V_{BAT} = 3.0\text{ V}$	-	50	100	nA	

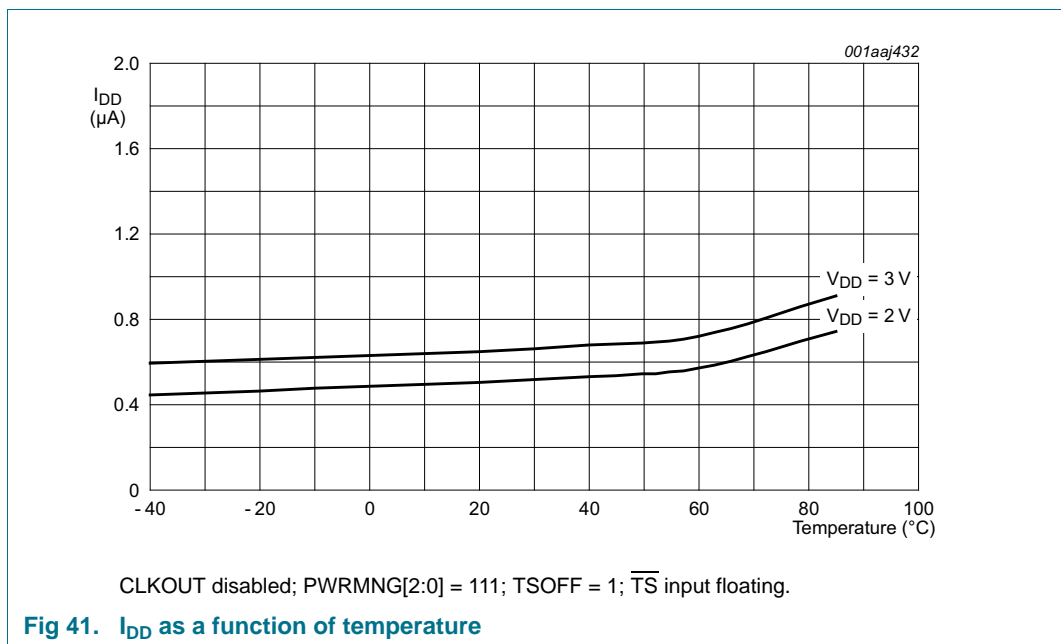
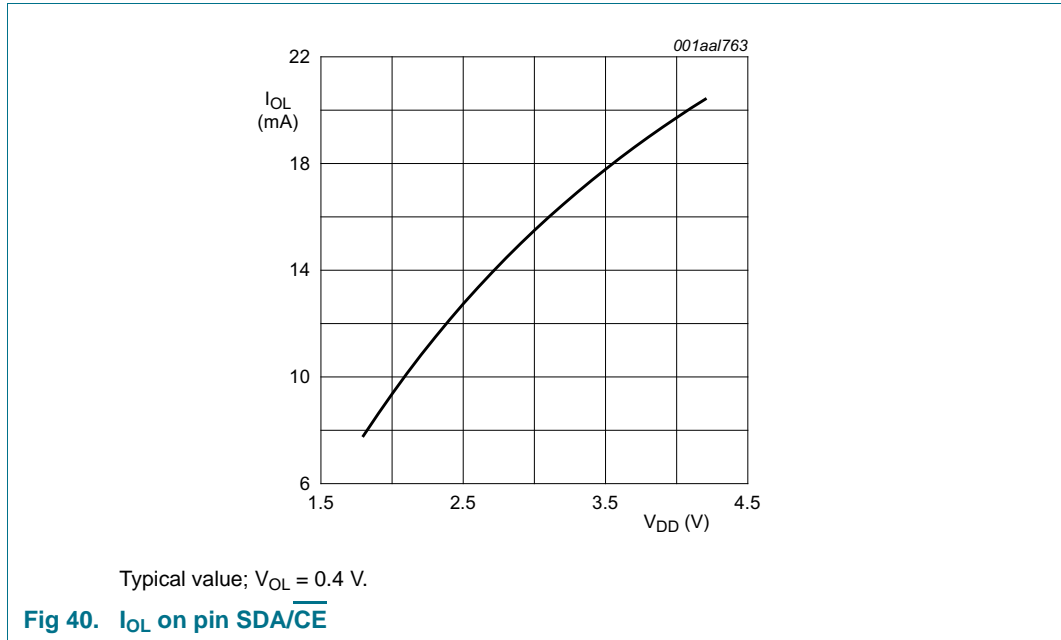
**Table 79. Static characteristics ...continued**

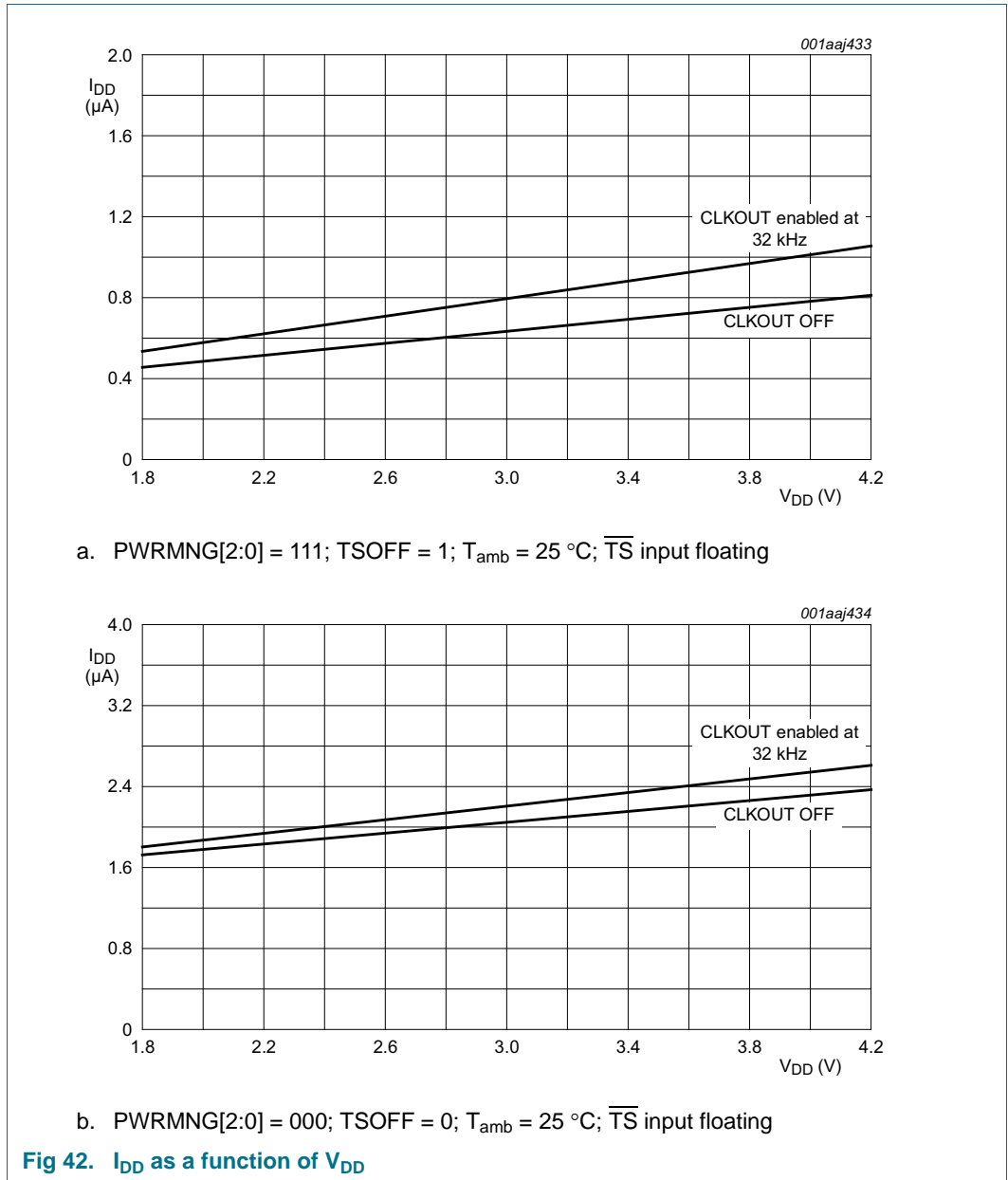
$V_{DD} = 1.8\text{ V to }4.2\text{ V}$ ;  $V_{SS} = 0\text{ V}$ ;  $T_{amb} = -40\text{ °C to }+85\text{ °C}$ , unless otherwise specified.

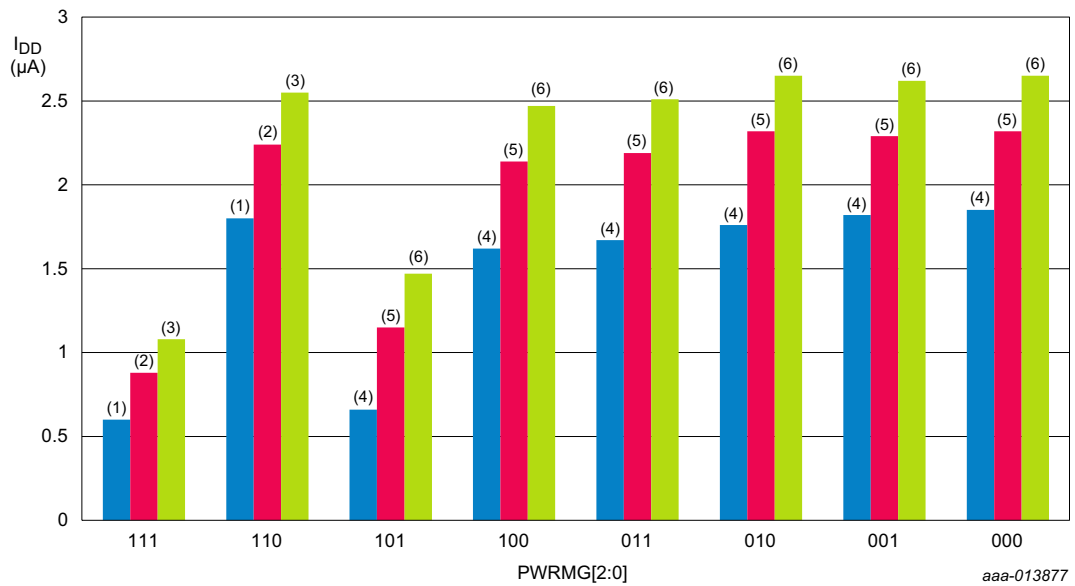
Symbol	Parameter	Conditions	Min	Typ	Max	Unit	
<b>Power management</b>							
$V_{th(sw)bat}$	battery switch threshold voltage		-	2.5	-	V	
$V_{th(bat)low}$	low battery threshold voltage		-	2.5	-	V	
		$T_{amb} = 25\text{ °C}$	2.25	-	2.85	V	
<b>Inputs<sup>[4]</sup></b>							
$V_I$	input voltage		-0.5	-	$V_{DD} + 0.5$	V	
$V_{IL}$	LOW-level input voltage		-	-	$0.25V_{DD}$	V	
		$T_{amb} = -20\text{ °C to }+85\text{ °C}$ ; $V_{DD} > 2.0\text{ V}$	-	-	$0.3V_{DD}$	V	
$V_{IH}$	HIGH-level input voltage		$0.7V_{DD}$	-	-	V	
$I_{LI}$	input leakage current	$V_I = V_{DD}$ or $V_{SS}$	-	0	-	$\mu\text{A}$	
		post ESD event	-1	-	+1	$\mu\text{A}$	
$C_i$	input capacitance		<sup>[5]</sup>	-	7	pF	
<b>Outputs</b>							
$V_O$	output voltage	on pins CLKOUT, $\overline{\text{INT}}$ , referring to external pull-up	-0.5	-	+5.5	V	
		on pin BBS	1.8	-	4.2	V	
		on pin SDO	-0.5	-	$V_{DD} + 0.5$	V	
$V_{OH}$	HIGH output voltage	on pin SDO	$0.8V_{DD}$	-	$V_{DD}$	V	
$V_{OL}$	LOW output voltage	on pins CLKOUT, $\overline{\text{INT}}$ , and SDO	$V_{SS}$	-	$0.2V_{DD}$	V	
$I_{OL}$	LOW-level output current	output sink current; $V_{OL} = 0.4\text{ V}$					
		on pin $\overline{\text{SDA/CE}}$	<sup>[6]</sup>	3	17	-	mA
		on all other outputs		1.0	-	-	mA
$I_{OH}$	HIGH-level output current	output source current; on pin SDO; $V_{OH} = 3.8\text{ V}$ ; $V_{DD} = 4.2\text{ V}$	1.0	-	-	mA	
$I_{LO}$	output leakage current	$V_O = V_{DD}$ or $V_{SS}$	-	0	-	$\mu\text{A}$	
		post ESD event	-1	-	+1	$\mu\text{A}$	

- [1] For reliable oscillator start-up at power-on:  $V_{DD(po)min} = V_{DD(min)} + 0.3\text{ V}$ .
- [2] Timer source clock =  $\frac{1}{60}\text{ Hz}$ , level of pins  $\overline{\text{SDA/CE}}$ , SDI, and SCL is  $V_{DD}$  or  $V_{SS}$ .
- [3] When the device is supplied by the  $V_{BAT}$  pin instead of the  $V_{DD}$  pin, the current values for  $I_{BAT}$  are as specified for  $I_{DD}$  under the same conditions.
- [4] The I<sup>2</sup>C-bus and SPI-bus interfaces of PCF2129 are 5 V tolerant.
- [5] Tested on sample basis.
- [6] For further information, see [Figure 40](#).

13.1 Current consumption characteristics, typical







Interface inactive; T<sub>amb</sub> = 25 °C; V<sub>BAT</sub> = 0 V; default configuration.

Description of the PWRMNG[2:0] settings, see [Table 19 on page 16](#).

- (1) V<sub>DD</sub> = 1.8 V.
- (2) V<sub>DD</sub> = 3.3 V.
- (3) V<sub>DD</sub> = 4.2 V.
- (4) V<sub>DD</sub> or V<sub>BAT</sub> = 1.8 V.
- (5) V<sub>DD</sub> or V<sub>BAT</sub> = 3.3 V.
- (6) V<sub>DD</sub> or V<sub>BAT</sub> = 4.2 V.

**Fig 43. Typical I<sub>DD</sub> as a function of the power management settings**



### 13.2 Frequency characteristics

**Table 80. Frequency characteristics**

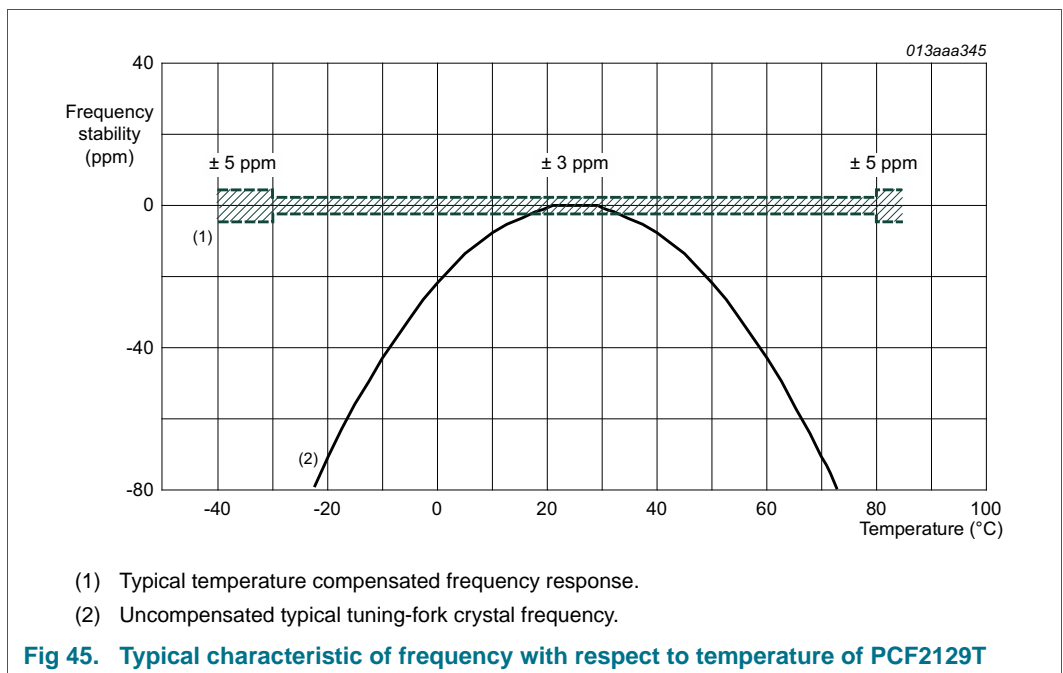
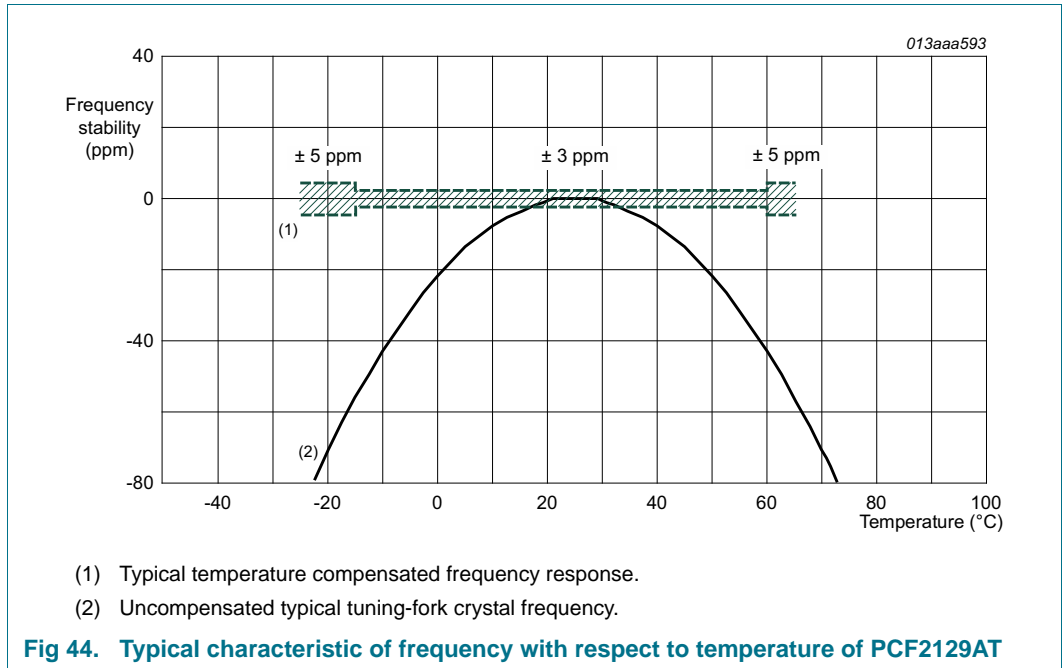
$V_{DD} = 1.8\text{ V to }4.2\text{ V}$ ;  $V_{SS} = 0\text{ V}$ ;  $T_{amb} = +25\text{ }^{\circ}\text{C}$ , unless otherwise specified.

Symbol	Parameter	Conditions	Min	Typ	Max	Unit
$f_o$	output frequency	on pin CLKOUT; $V_{DD}$ or $V_{BAT} = 3.3\text{ V}$ ; COF[2:0] = 000; AO[3:0] = 1000	-	32.768	-	kHz
$\Delta f/f$	frequency stability	$V_{DD}$ or $V_{BAT} = 3.3\text{ V}$				
		PCF2129AT				
		$T_{amb} = -15\text{ }^{\circ}\text{C to }+60\text{ }^{\circ}\text{C}$ [1][2]	-	$\pm 3$	$\pm 5$	ppm
		$T_{amb} = -25\text{ }^{\circ}\text{C to }-15\text{ }^{\circ}\text{C}$ and $T_{amb} = +60\text{ }^{\circ}\text{C to }+65\text{ }^{\circ}\text{C}$ [1][2]	-	$\pm 5$	$\pm 10$	ppm
		PCF2129T				
		$T_{amb} = -30\text{ }^{\circ}\text{C to }+80\text{ }^{\circ}\text{C}$ [1][2]	-	$\pm 3$	$\pm 8$	ppm
$\Delta f_{xtal}/f_{xtal}$	relative crystal frequency variation	crystal aging				
		PCF2129AT				
		first year; $V_{DD}$ or $V_{BAT} = 3.3\text{ V}$ [3]	-	-	$\pm 3$	ppm
		PCF2129T				
		first year [3]	-	-	$\pm 3$	ppm
		ten years	-	-	$\pm 8$	ppm
$\Delta f/\Delta V$	frequency variation with voltage	on pin CLKOUT	-	$\pm 1$	-	ppm/V

[1]  $\pm 1\text{ ppm}$  corresponds to a time deviation of  $\pm 0.0864$  seconds per day.

[2] Only valid if CLKOUT frequencies are not equal to 32.768 kHz or if CLKOUT is disabled.

[3] Not production tested. Effects of reflow soldering are included (see [Ref. 3 "AN11186"](#)).



## 14. Dynamic characteristics

### 14.1 SPI-bus timing characteristics

**Table 81. SPI-bus characteristics**

$V_{DD} = 1.8\text{ V}$  to  $4.2\text{ V}$ ;  $V_{SS} = 0\text{ V}$ ;  $T_{amb} = -40\text{ }^{\circ}\text{C}$  to  $+85\text{ }^{\circ}\text{C}$ , unless otherwise specified. All timing values are valid within the operating supply voltage at ambient temperature and referenced to  $V_{IL}$  and  $V_{IH}$  with an input voltage swing of  $V_{SS}$  to  $V_{DD}$  (see Figure 46).

Symbol	Parameter	Conditions	$V_{DD} = 1.8\text{ V}$		$V_{DD} = 4.2\text{ V}$		Unit
			Min	Max	Min	Max	
<b>Pin SCL</b>							
$f_{clk(SCL)}$	SCL clock frequency		-	2.0	-	6.5	MHz
$t_{SCL}$	SCL time		800	-	140	-	ns
$t_{clk(H)}$	clock HIGH time		100	-	70	-	ns
$t_{clk(L)}$	clock LOW time		400	-	70	-	ns
$t_r$	rise time	for SCL signal	-	100	-	100	ns
$t_f$	fall time	for SCL signal	-	100	-	100	ns
<b>Pin SDA/CE</b>							
$t_{su(CE\_N)}$	CE_N set-up time		60	-	30	-	ns
$t_h(CE\_N)$	CE_N hold time		40	-	25	-	ns
$t_{rec(CE\_N)}$	CE_N recovery time		100	-	30	-	ns
$t_w(CE\_N)$	CE_N pulse width		-	0.99	-	0.99	s
<b>Pin SDI</b>							
$t_{su}$	set-up time	set-up time for SDI data	70	-	20	-	ns
$t_h$	hold time	hold time for SDI data	70	-	20	-	ns
<b>Pin SDO</b>							
$t_{d(R)SDO}$	SDO read delay time	$C_L = 50\text{ pF}$	-	225	-	55	ns
$t_{dis(SDO)}$	SDO disable time		[1]	90	-	25	ns
$t_t(SDI\text{-}SDO)$	transition time from SDI to SDO	to avoid bus conflict	0	-	0	-	ns

[1] No load value; bus is held up by bus capacitance; use RC time constant with application values.

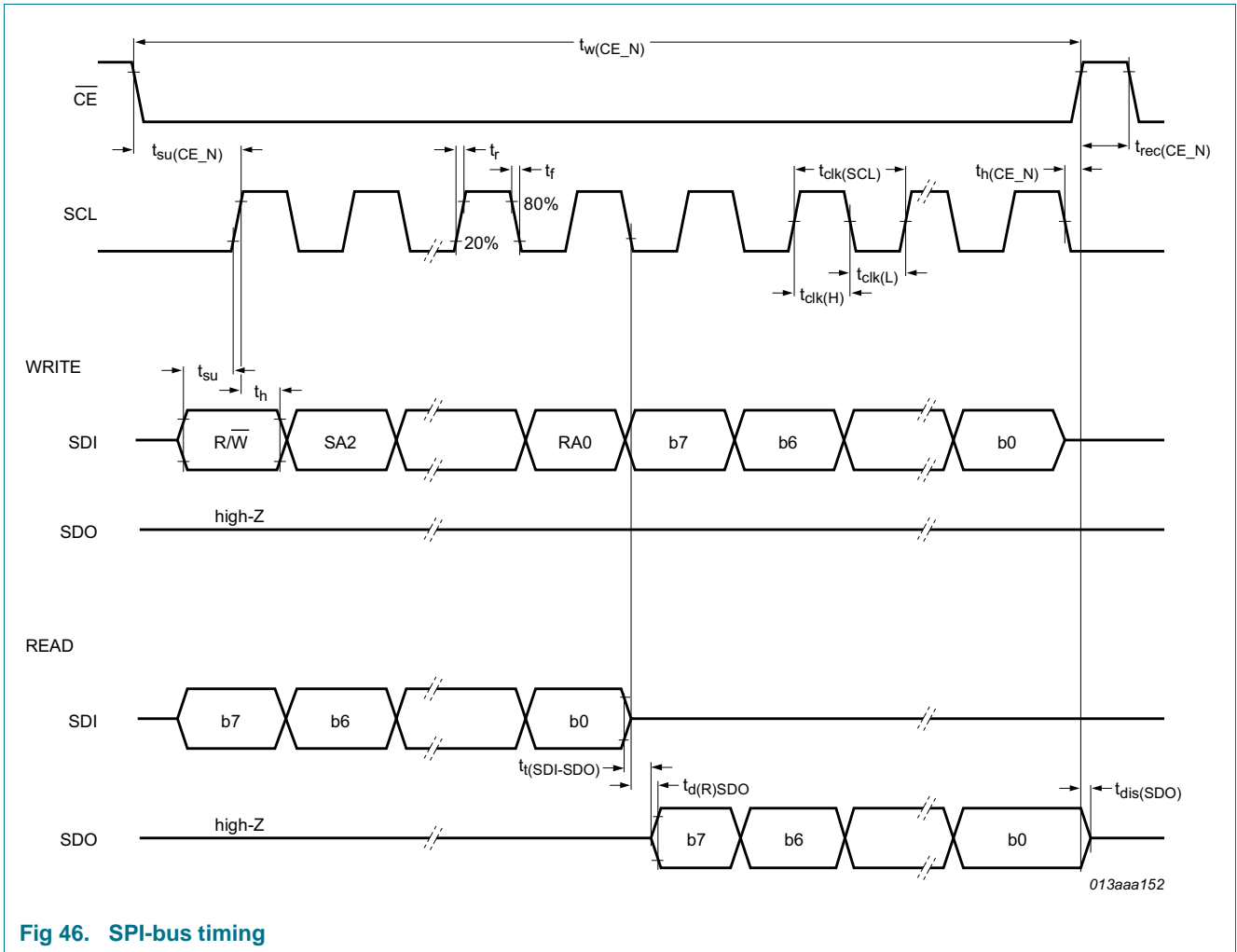


Fig 46. SPI-bus timing

## 14.2 I<sup>2</sup>C-bus timing characteristics

**Table 82. I<sup>2</sup>C-bus characteristics**

All timing characteristics are valid within the operating supply voltage and ambient temperature range and reference to 30 % and 70 % with an input voltage swing of  $V_{SS}$  to  $V_{DD}$  (see [Figure 47](#)).

Symbol	Parameter	Standard mode		Fast-mode (Fm)		Unit
		Min	Max	Min	Max	
<b>Pin SCL</b>						
f <sub>SCL</sub>	SCL clock frequency <a href="#">[1]</a>	0	100	0	400	kHz
t <sub>LOW</sub>	LOW period of the SCL clock	4.7	-	1.3	-	μs
t <sub>HIGH</sub>	HIGH period of the SCL clock	4.0	-	0.6	-	μs
<b>Pin SDA/CE</b>						
t <sub>SU;DAT</sub>	data set-up time	250	-	100	-	ns
t <sub>HD;DAT</sub>	data hold time	0	-	0	-	ns
<b>Pins SCL and SDA/CE</b>						
t <sub>BUF</sub>	bus free time between a STOP and START condition	4.7	-	1.3	-	μs
t <sub>SU;STO</sub>	set-up time for STOP condition	4.0	-	0.6	-	μs
t <sub>HD;STA</sub>	hold time (repeated) START condition	4.0	-	0.6	-	μs
t <sub>SU;STA</sub>	set-up time for a repeated START condition	4.7	-	0.6	-	μs
t <sub>r</sub>	rise time of both SDA and SCL signals <a href="#">[2][3][4]</a>	-	1000	20 + 0.1C <sub>b</sub>	300	ns
t <sub>f</sub>	fall time of both SDA and SCL signals <a href="#">[2][3][4]</a>	-	300	20 + 0.1C <sub>b</sub>	300	ns
t <sub>VD;ACK</sub>	data valid acknowledge time <a href="#">[5]</a>	0.1	3.45	0.1	0.9	μs
t <sub>VD;DAT</sub>	data valid time <a href="#">[6]</a>	300	-	75	-	ns
t <sub>SP</sub>	pulse width of spikes that must be suppressed by the input filter <a href="#">[7]</a>	-	50	-	50	ns

- [1] The minimum SCL clock frequency is limited by the bus time-out feature which resets the serial bus interface if either the SDA or SCL is held LOW for a minimum of 25 ms. The bus time-out feature must be disabled for DC operation.
- [2] A master device must internally provide a hold time of at least 300 ns for the SDA signal (refer to the V<sub>IL</sub> of the SCL signal) in order to bridge the undefined region of the falling edge of SCL.
- [3] C<sub>b</sub> is the total capacitance of one bus line in pF.
- [4] The maximum t<sub>f</sub> for the SDA and SCL bus lines is 300 ns. The maximum fall time for the SDA output stage, t<sub>f</sub> is 250 ns. This allows series protection resistors to be connected between the SDA/CE pin, the SCL pin, and the SDA/SCL bus lines without exceeding the maximum t<sub>f</sub>.
- [5] t<sub>VD;ACK</sub> is the time of the acknowledgement signal from SCL LOW to SDA (out) LOW.
- [6] t<sub>VD;DAT</sub> is the minimum time for valid SDA (out) data following SCL LOW.
- [7] Input filters on the SDA and SCL inputs suppress noise spikes of less than 50 ns.

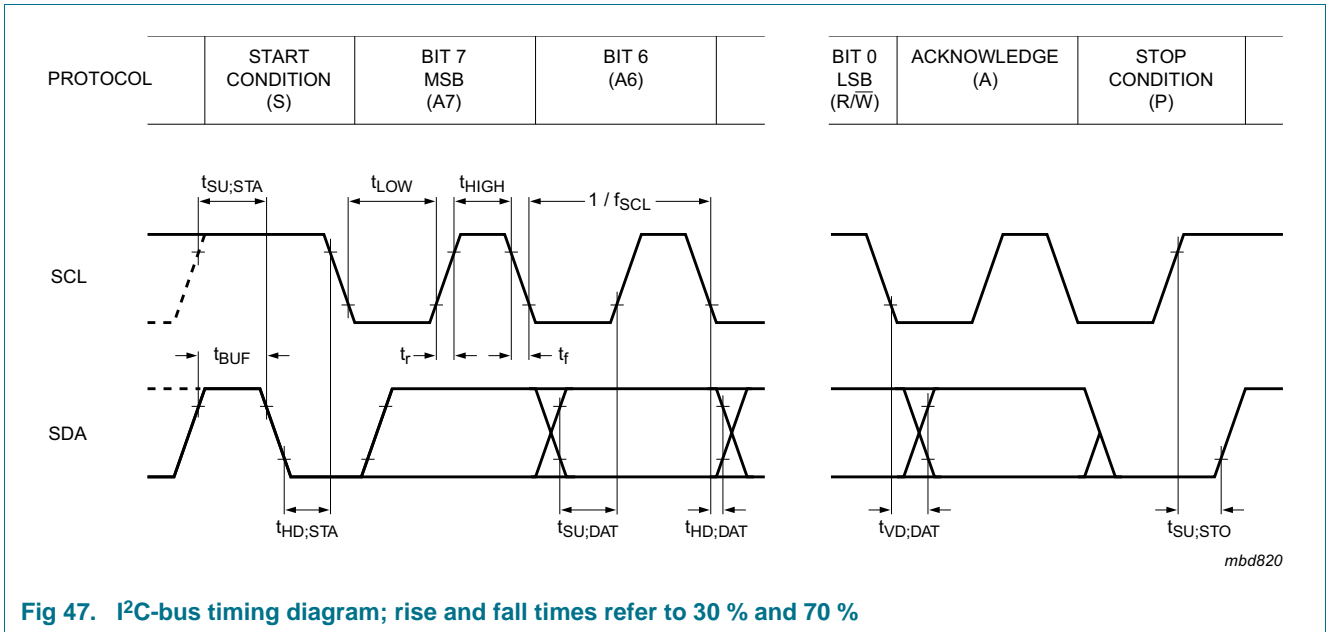
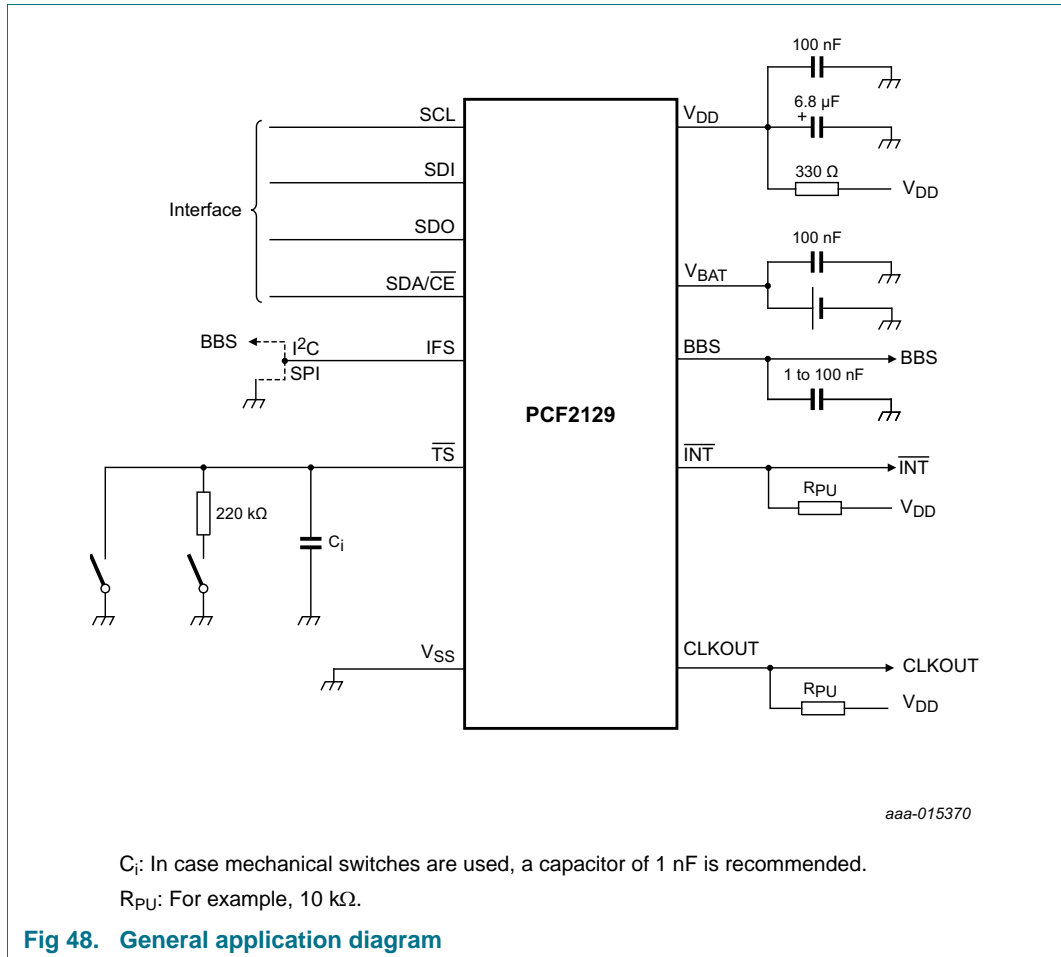


Fig 47. I<sup>2</sup>C-bus timing diagram; rise and fall times refer to 30 % and 70 %

15. Application information



For information about application configuration, see [Ref. 3 "AN11186"](#).

16. Package outline

SO20: plastic small outline package; 20 leads; body width 7.5 mm

SOT163-1

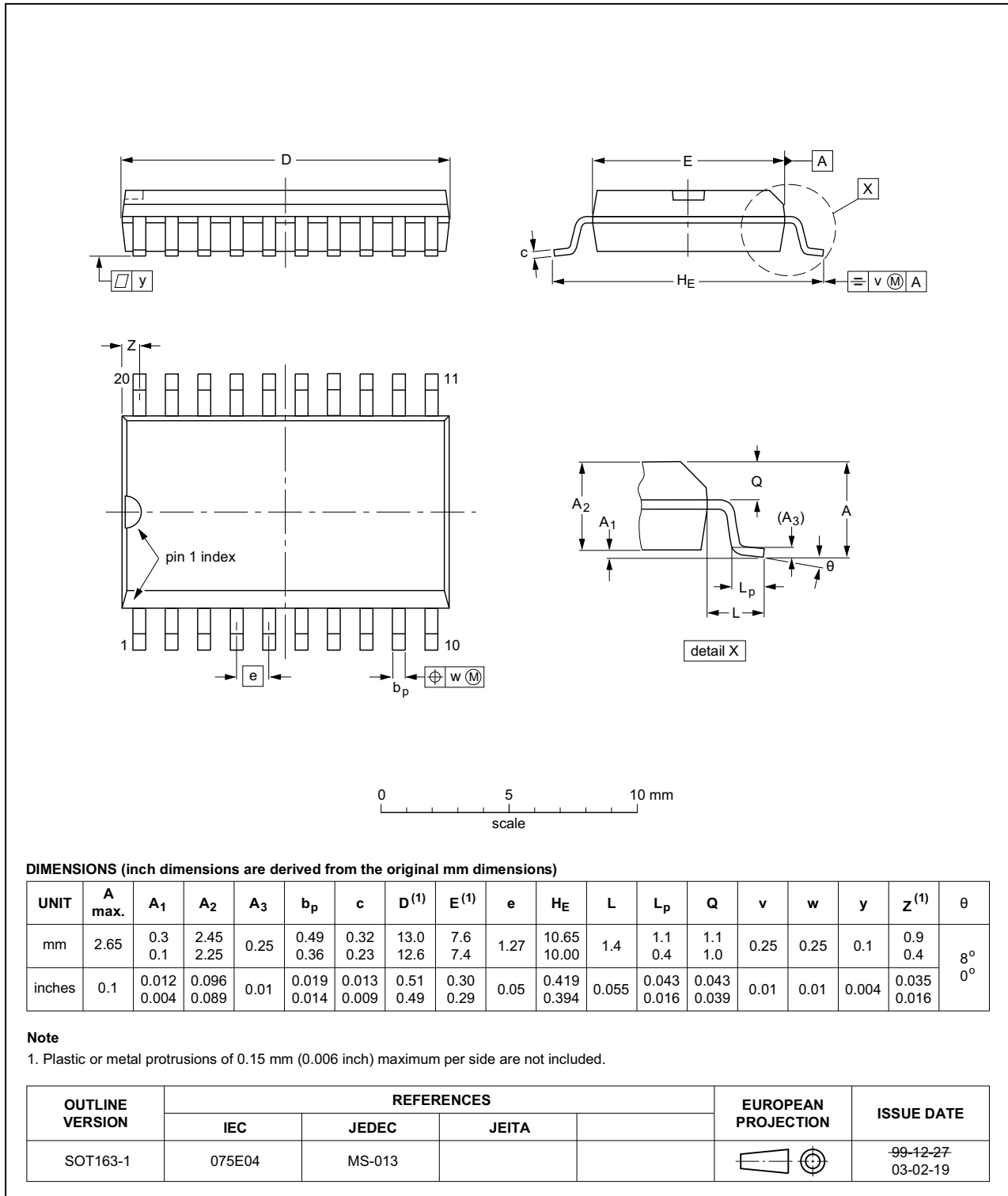


Fig 49. Package outline SOT163-1 (SO20) of PCF2129AT



SO16: plastic small outline package; 16 leads; body width 7.5 mm

SOT162-1

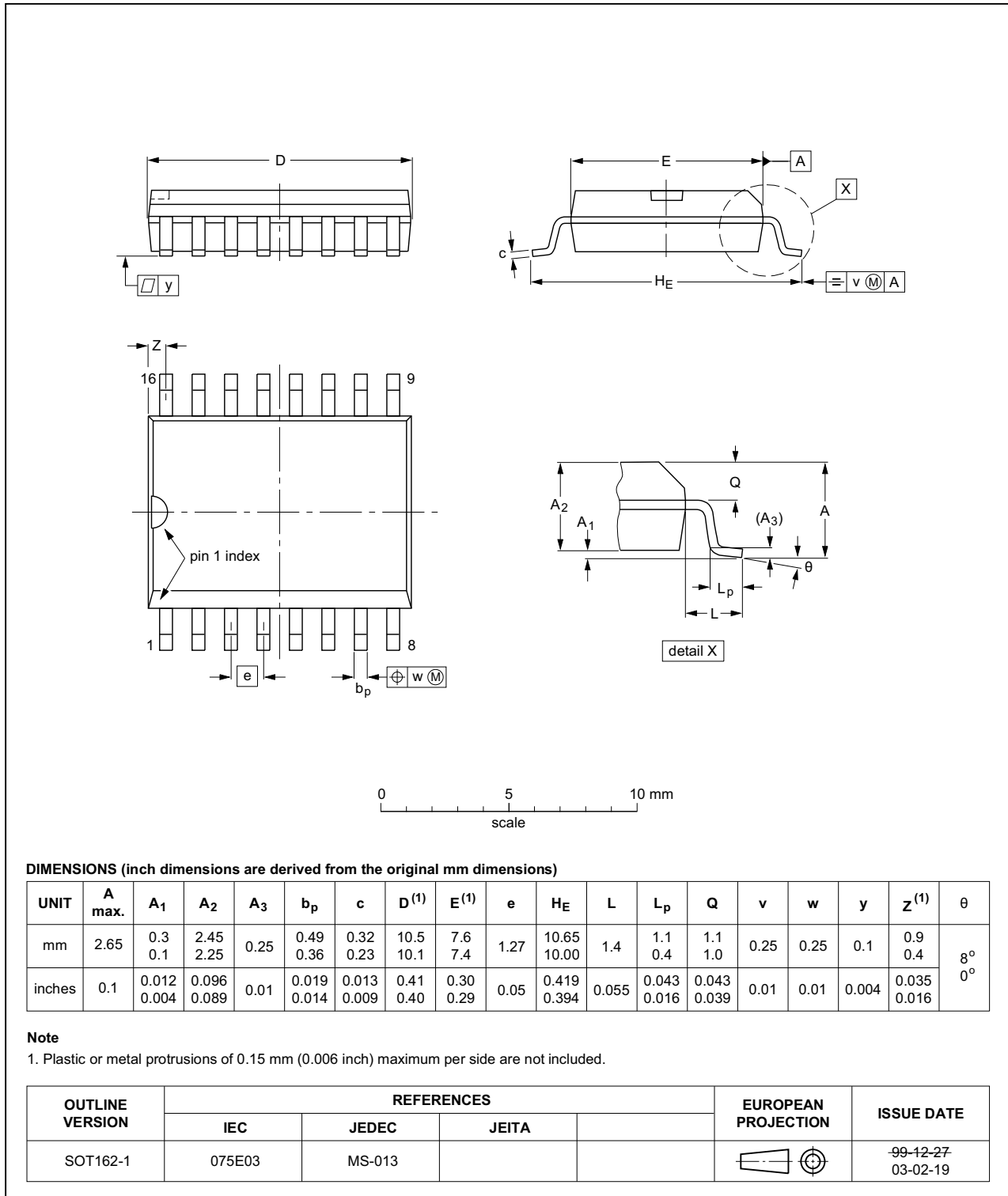


Fig 50. Package outline SOT162-1 (SO16) of PCF2129T

## 17. Packing information

### 17.1 Tape and reel information

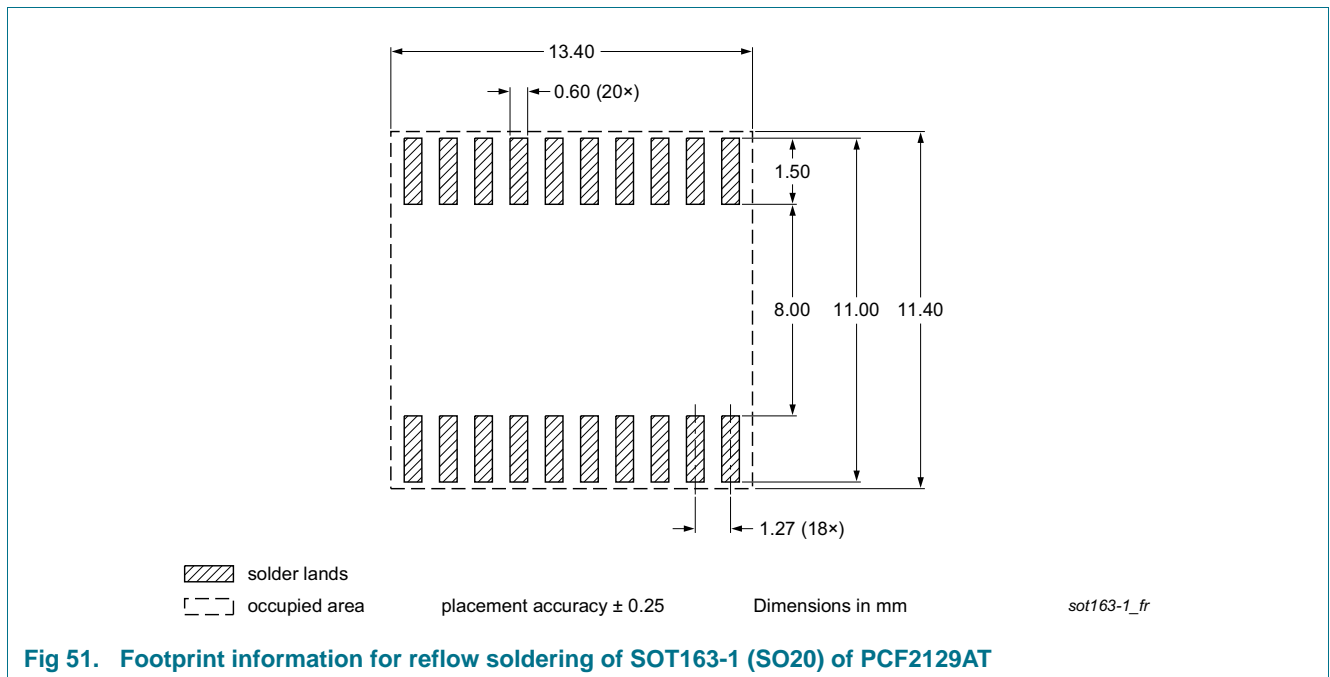
For tape and reel packing information, see

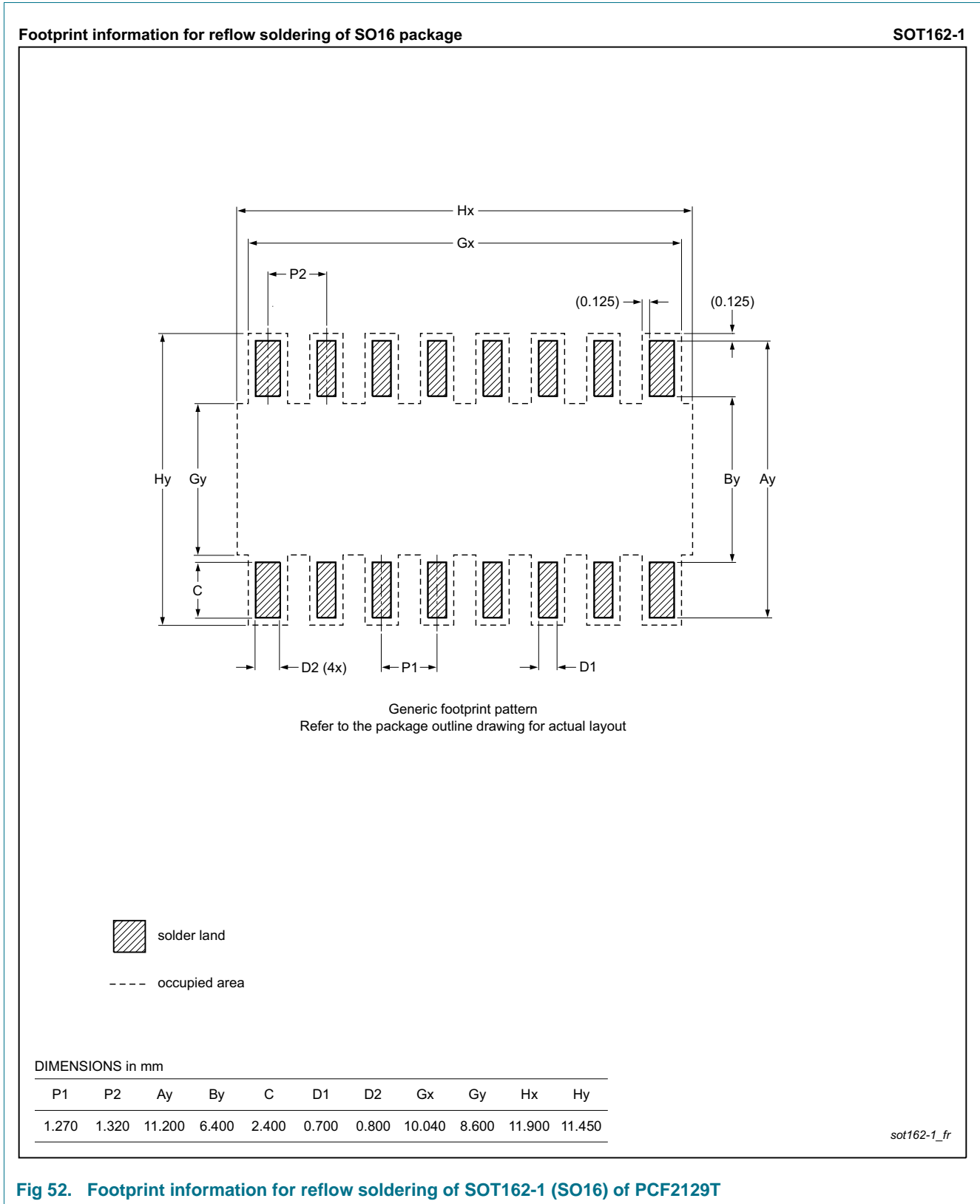
- [Ref. 11 “SOT162-1\\_518” on page 78](#) for the PCF2129T.
- [Ref. 12 “SOT163-1\\_518” on page 78](#) for the PCF2129AT.

## 18. Soldering

For information about soldering, see [Ref. 3 “AN11186”](#).

### 18.1 Footprint information





**Fig 52. Footprint information for reflow soldering of SOT162-1 (SO16) of PCF2129T**

## 19. Appendix

### 19.1 Real-Time Clock selection

Table 83. Selection of Real-Time Clocks

Type name	Alarm, Timer, Watchdog	Interrupt output	Interface	I <sub>DD</sub> , typical (nA)	Battery backup	Timestamp, tamper input	AEC-Q100 compliant	Special features	Packages
PCF8563	X	1	I <sup>2</sup> C	250	-	-	-	-	SO8, TSSOP8, HVSON10
PCF8564A	X	1	I <sup>2</sup> C	250	-	-	-	integrated oscillator caps	WLCSP
PCA8565	X	1	I <sup>2</sup> C	600	-	-	grade 1	high robustness, T <sub>amb</sub> = -40 °C to 125 °C	TSSOP8, HVSON10
PCA8565A	X	1	I <sup>2</sup> C	600	-	-	-	integrated oscillator caps, T <sub>amb</sub> = -40 °C to 125 °C	WLCSP
PCF85063	-	1	I <sup>2</sup> C	220	-	-	-	basic functions only, no alarm	HXSON8
PCF85063A	X	1	I <sup>2</sup> C	220	-	-	-	tiny package	SO8, DFN2626-10
PCF85063B	X	1	SPI	220	-	-	-	tiny package	DFN2626-10
PCF85263A	X	2	I <sup>2</sup> C	230	X	X	-	time stamp, battery backup, stopwatch 1/100 s	SO8, TSSOP10, TSSOP8, DFN2626-10
PCF85263B	X	2	SPI	230	X	X	-	time stamp, battery backup, stopwatch 1/100s	TSSOP10, DFN2626-10
PCF85363A	X	2	I <sup>2</sup> C	230	X	X	-	time stamp, battery backup, stopwatch 1/100s, 64 Byte RAM	TSSOP10, DFN2626-10
PCF85363B	X	2	SPI	230	X	X	-	time stamp, battery backup, stopwatch 1/100s, 64 Byte RAM	TSSOP10, DFN2626-10
PCF8523	X	2	I <sup>2</sup> C	150	X	-	-	lowest power 150 nA in operation, FM+ 1 MHz	SO8, HVSON8, TSSOP14, WLCSP
PCF2123	X	1	SPI	100	-	-	-	lowest power 100 nA in operation	TSSOP14, HVQFN16
PCF2127	X	1	I <sup>2</sup> C and SPI	500	X	X	-	temperature compensated, quartz built in, calibrated, 512 Byte RAM	SO16

Table 83. Selection of Real-Time Clocks ...continued

Type name	Alarm, Timer, Watchdog	Interrupt output	Interface	I <sub>DD</sub> , typical (nA)	Battery backup	Timestamp, tamper input	AEC-Q100 compliant	Special features	Packages
PCF2127A	X	1	I <sup>2</sup> C and SPI	500	X	X	-	temperature compensated, quartz built in, calibrated, 512 Byte RAM	SO20
PCF2129	X	1	I <sup>2</sup> C and SPI	500	X	X	-	temperature compensated, quartz built in, calibrated	SO16
PCF2129A	X	1	I <sup>2</sup> C and SPI	500	X	X	-	temperature compensated, quartz built in, calibrated	SO20
PCA2129	X	1	I <sup>2</sup> C and SPI	500	X	X	grade 3	temperature compensated, quartz built in, calibrated	SO16
PCA21125	X	1	SPI	820	-	-	grade 1	high robustness, T <sub>amb</sub> = -40 °C to 125 °C	TSSOP14

## 20. Abbreviations

Table 84. Abbreviations

Acronym	Description
AM	Ante Meridiem
BCD	Binary Coded Decimal
CDM	Charged Device Model
CMOS	Complementary Metal-Oxide Semiconductor
DC	Direct Current
GPS	Global Positioning System
HBM	Human Body Model
I <sup>2</sup> C	Inter-Integrated Circuit
IC	Integrated Circuit
LSB	Least Significant Bit
MCU	Microcontroller Unit
MM	Machine Model
MSB	Most Significant Bit
PM	Post Meridiem
POR	Power-On Reset
PORO	Power-On Reset Override
PPM	Parts Per Million
RC	Resistance-Capacitance
RTC	Real-Time Clock
SCL	Serial CLock line
SDA	Serial DAta line
SPI	Serial Peripheral Interface
SRAM	Static Random Access Memory
TCXO	Temperature Compensated Xtal Oscillator
Xtal	crystal

## 21. References

---

- [1] **AN10365** — Surface mount reflow soldering description
- [2] **AN10853** — Handling precautions of ESD sensitive devices
- [3] **AN11186** — Application and soldering information for the PCA2129 and PCF2129 TCXO RTC
- [4] **IEC 60134** — Rating systems for electronic tubes and valves and analogous semiconductor devices
- [5] **IEC 61340-5** — Protection of electronic devices from electrostatic phenomena
- [6] **IPC/JEDEC J-STD-020D** — Moisture/Reflow Sensitivity Classification for Nonhermetic Solid State Surface Mount Devices
- [7] **JESD22-A114** — Electrostatic Discharge (ESD) Sensitivity Testing Human Body Model (HBM)
- [8] **JESD22-C101** — Field-Induced Charged-Device Model Test Method for Electrostatic-Discharge-Withstand Thresholds of Microelectronic Components
- [9] **JESD78** — IC Latch-Up Test
- [10] **JESD625-A** — Requirements for Handling Electrostatic-Discharge-Sensitive (ESDS) Devices
- [11] **SOT162-1\_518** — SO16; Reel pack; SMD, 13", packing information
- [12] **SOT163-1\_518** — SO20; Reel pack; SMD, 13", packing information
- [13] **UM10204** — I<sup>2</sup>C-bus specification and user manual
- [14] **UM10569** — Store and transport requirements
- [15] **UM10762** — User manual for the accurate RTC demo board OM13513 containing PCF2127T and PCF2129AT

## 22. Revision history

Table 85. Revision history

Document ID	Release date	Data sheet status	Change notice	Supersedes
PCF2129 v.7	20141219	Product data sheet	-	PCF2129AT v.6 PCF2129T v.4
Modifications:	<ul style="list-style-type: none"> <li>• The format of this data sheet has been redesigned to comply with the new identity guidelines of NXP Semiconductors.</li> <li>• Legal texts have been adapted to the new company name where appropriate.</li> <li>• Combined PCF2129AT and PCF2129T data sheets to one data sheet</li> <li>• Added <a href="#">Figure 4</a>, <a href="#">Figure 43</a> and <a href="#">Figure 48</a></li> <li>• Enhanced <a href="#">Figure 8</a>, <a href="#">Figure 12</a>, <a href="#">Figure 20</a>, <a href="#">Section 8.11.1</a>, <a href="#">Figure 37</a>, <a href="#">Figure 38</a></li> <li>• Added <a href="#">Section 9.3</a></li> <li>• Changed I<sub>DD</sub> values in <a href="#">Table 79</a></li> <li>• Added V<sub>OH</sub> and V<sub>OL</sub> values in <a href="#">Table 79</a></li> <li>• Enhanced description of internal operating voltage</li> <li>• Added register bit allocation tables</li> <li>• Enhanced ESD HBM values</li> <li>• Fixed typos</li> </ul>			
<b>PCF2129AT</b>				
PCF2127AT v.6	20130711	Product data sheet	-	PCF2127AT v.5
PCF2129AT v.5	20130212	Product data sheet	-	PCF2129AT v.4
PCF2129AT v.4	20121107	Product data sheet	-	PCF2129AT v.3
PCF2129AT v.3	20121004	Product data sheet	-	PCF2129AT v.2
PCF2129AT v.2	20100507	Product data sheet	-	PCF2129AT v.1
PCF2129AT v.1	20100113	Product data sheet	-	-
<b>PCF2129T</b>				
PCF2129T v.4	20130711	Product data sheet	-	PCF2129T v.3
PCF2129T v.3	20130212	Product data sheet	-	PCF2129T v.2
PCF2129T v.2	20121025	Product data sheet	-	PCF2129T v.1
PCF2129T v.1	20120618	Product data sheet	-	-



## 23. Legal information

### 23.1 Data sheet status

Document status <sup>[1][2]</sup>	Product status <sup>[3]</sup>	Definition
Objective [short] data sheet	Development	This document contains data from the objective specification for product development.
Preliminary [short] data sheet	Qualification	This document contains data from the preliminary specification.
Product [short] data sheet	Production	This document contains the product specification.

[1] Please consult the most recently issued document before initiating or completing a design.

[2] The term 'short data sheet' is explained in section "Definitions".

[3] The product status of device(s) described in this document may have changed since this document was published and may differ in case of multiple devices. The latest product status information is available on the Internet at URL <http://www.nxp.com>.

### 23.2 Definitions

**Draft** — The document is a draft version only. The content is still under internal review and subject to formal approval, which may result in modifications or additions. NXP Semiconductors does not give any representations or warranties as to the accuracy or completeness of information included herein and shall have no liability for the consequences of use of such information.

**Short data sheet** — A short data sheet is an extract from a full data sheet with the same product type number(s) and title. A short data sheet is intended for quick reference only and should not be relied upon to contain detailed and full information. For detailed and full information see the relevant full data sheet, which is available on request via the local NXP Semiconductors sales office. In case of any inconsistency or conflict with the short data sheet, the full data sheet shall prevail.

**Product specification** — The information and data provided in a Product data sheet shall define the specification of the product as agreed between NXP Semiconductors and its customer, unless NXP Semiconductors and customer have explicitly agreed otherwise in writing. In no event however, shall an agreement be valid in which the NXP Semiconductors product is deemed to offer functions and qualities beyond those described in the Product data sheet.

### 23.3 Disclaimers

**Limited warranty and liability** — Information in this document is believed to be accurate and reliable. However, NXP Semiconductors does not give any representations or warranties, expressed or implied, as to the accuracy or completeness of such information and shall have no liability for the consequences of use of such information. NXP Semiconductors takes no responsibility for the content in this document if provided by an information source outside of NXP Semiconductors.

In no event shall NXP Semiconductors be liable for any indirect, incidental, punitive, special or consequential damages (including - without limitation - lost profits, lost savings, business interruption, costs related to the removal or replacement of any products or rework charges) whether or not such damages are based on tort (including negligence), warranty, breach of contract or any other legal theory.

Notwithstanding any damages that customer might incur for any reason whatsoever, NXP Semiconductors' aggregate and cumulative liability towards customer for the products described herein shall be limited in accordance with the *Terms and conditions of commercial sale* of NXP Semiconductors.

**Right to make changes** — NXP Semiconductors reserves the right to make changes to information published in this document, including without limitation specifications and product descriptions, at any time and without notice. This document supersedes and replaces all information supplied prior to the publication hereof.

**Suitability for use** — NXP Semiconductors products are not designed, authorized or warranted to be suitable for use in life support, life-critical or safety-critical systems or equipment, nor in applications where failure or malfunction of an NXP Semiconductors product can reasonably be expected to result in personal injury, death or severe property or environmental damage. NXP Semiconductors and its suppliers accept no liability for inclusion and/or use of NXP Semiconductors products in such equipment or applications and therefore such inclusion and/or use is at the customer's own risk.

**Applications** — Applications that are described herein for any of these products are for illustrative purposes only. NXP Semiconductors makes no representation or warranty that such applications will be suitable for the specified use without further testing or modification.

Customers are responsible for the design and operation of their applications and products using NXP Semiconductors products, and NXP Semiconductors accepts no liability for any assistance with applications or customer product design. It is customer's sole responsibility to determine whether the NXP Semiconductors product is suitable and fit for the customer's applications and products planned, as well as for the planned application and use of customer's third party customer(s). Customers should provide appropriate design and operating safeguards to minimize the risks associated with their applications and products.

NXP Semiconductors does not accept any liability related to any default, damage, costs or problem which is based on any weakness or default in the customer's applications or products, or the application or use by customer's third party customer(s). Customer is responsible for doing all necessary testing for the customer's applications and products using NXP Semiconductors products in order to avoid a default of the applications and the products or of the application or use by customer's third party customer(s). NXP does not accept any liability in this respect.

**Limiting values** — Stress above one or more limiting values (as defined in the Absolute Maximum Ratings System of IEC 60134) will cause permanent damage to the device. Limiting values are stress ratings only and (proper) operation of the device at these or any other conditions above those given in the Recommended operating conditions section (if present) or the Characteristics sections of this document is not warranted. Constant or repeated exposure to limiting values will permanently and irreversibly affect the quality and reliability of the device.

**Terms and conditions of commercial sale** — NXP Semiconductors products are sold subject to the general terms and conditions of commercial sale, as published at <http://www.nxp.com/profile/terms>, unless otherwise agreed in a valid written individual agreement. In case an individual agreement is concluded only the terms and conditions of the respective agreement shall apply. NXP Semiconductors hereby expressly objects to applying the customer's general terms and conditions with regard to the purchase of NXP Semiconductors products by customer.

**No offer to sell or license** — Nothing in this document may be interpreted or construed as an offer to sell products that is open for acceptance or the grant, conveyance or implication of any license under any copyrights, patents or other industrial or intellectual property rights.

**Export control** — This document as well as the item(s) described herein may be subject to export control regulations. Export might require a prior authorization from competent authorities.

**Non-automotive qualified products** — Unless this data sheet expressly states that this specific NXP Semiconductors product is automotive qualified, the product is not suitable for automotive use. It is neither qualified nor tested in accordance with automotive testing or application requirements. NXP Semiconductors accepts no liability for inclusion and/or use of non-automotive qualified products in automotive equipment or applications.

In the event that customer uses the product for design-in and use in automotive applications to automotive specifications and standards, customer (a) shall use the product without NXP Semiconductors' warranty of the product for such automotive applications, use and specifications, and (b) whenever customer uses the product for automotive applications beyond NXP Semiconductors' specifications such use shall be solely at customer's

own risk, and (c) customer fully indemnifies NXP Semiconductors for any liability, damages or failed product claims resulting from customer design and use of the product for automotive applications beyond NXP Semiconductors' standard warranty and NXP Semiconductors' product specifications.

**Translations** — A non-English (translated) version of a document is for reference only. The English version shall prevail in case of any discrepancy between the translated and English versions.

## 23.4 Trademarks

Notice: All referenced brands, product names, service names and trademarks are the property of their respective owners.

**I<sup>2</sup>C-bus** — logo is a trademark of NXP Semiconductors N.V.

## 24. Contact information

---

For more information, please visit: <http://www.nxp.com>

For sales office addresses, please send an email to: [salesaddresses@nxp.com](mailto:salesaddresses@nxp.com)

25. Tables

Table 1. Ordering information . . . . .	2	Table 35. Month assignments in BCD format . . . . .	29
Table 2. Ordering options . . . . .	2	Table 36. Years - years register (address 09h) bit allocation . . . . .	30
Table 3. Marking codes . . . . .	2	Table 37. Years - years register (address 09h) bit description . . . . .	30
Table 4. Pin description of PCF2129 . . . . .	5	Table 38. Second_alarm - second alarm register (address 0Ah) bit allocation . . . . .	33
Table 5. Register overview . . . . .	8	Table 39. Second_alarm - second alarm register (address 0Ah) bit description . . . . .	33
Table 6. Control_1 - control and status register 1 (address 00h) bit allocation . . . . .	10	Table 40. Minute_alarm - minute alarm register (address 0Bh) bit allocation . . . . .	33
Table 7. Control_1 - control and status register 1 (address 00h) bit description . . . . .	10	Table 41. Minute_alarm - minute alarm register (address 0Bh) bit description . . . . .	33
Table 8. Control_2 - control and status register 2 (address 01h) bit allocation . . . . .	11	Table 42. Hour_alarm - hour alarm register (address 0Ch) bit allocation . . . . .	34
Table 9. Control_2 - control and status register 2 (address 01h) bit description . . . . .	11	Table 43. Hour_alarm - hour alarm register (address 0Ch) bit description . . . . .	34
Table 10. Control_3 - control and status register 3 (address 02h) bit allocation . . . . .	12	Table 44. Day_alarm - day alarm register (address 0Dh) bit allocation . . . . .	34
Table 11. Control_3 - control and status register 3 (address 02h) bit description . . . . .	12	Table 45. Day_alarm - day alarm register (address 0Dh) bit description . . . . .	34
Table 12. CLKOUT_ctl - CLKOUT control register (address 0Fh) bit allocation . . . . .	12	Table 46. Weekday_alarm - weekday alarm register (address 0Eh) bit allocation . . . . .	35
Table 13. CLKOUT_ctl - CLKOUT control register (address 0Fh) bit description . . . . .	12	Table 47. Weekday_alarm - weekday alarm register (address 0Eh) bit description . . . . .	35
Table 14. Temperature measurement period . . . . .	13	Table 48. Watchdog_tim_ctl - watchdog timer control register (address 10h) bit allocation . . . . .	36
Table 15. CLKOUT frequency selection . . . . .	14	Table 49. Watchdog_tim_ctl - watchdog timer control register (address 10h) bit description . . . . .	36
Table 16. Aging_offset - crystal aging offset register (address 19h) bit allocation . . . . .	14	Table 50. Watchdog_tim_val - watchdog timer value register (address 11h) bit allocation . . . . .	36
Table 17. Aging_offset - crystal aging offset register (address 19h) bit description . . . . .	14	Table 51. Watchdog_tim_val - watchdog timer value register (address 11h) bit description . . . . .	36
Table 18. Frequency correction at 25 °C, typical . . . . .	15	Table 52. Programmable watchdog timer . . . . .	37
Table 19. Power management control bit description . . . . .	16	Table 53. Flag location in register Control_2 . . . . .	38
Table 20. Output pin BBS . . . . .	21	Table 54. Example values in register Control_2 . . . . .	39
Table 21. Seconds - seconds and clock integrity register (address 03h) bit allocation . . . . .	25	Table 55. Example to clear only AF (bit 4) . . . . .	39
Table 22. Seconds - seconds and clock integrity register (address 03h) bit description . . . . .	25	Table 56. Example to clear only MSF (bit 7) . . . . .	39
Table 23. Seconds coded in BCD format . . . . .	26	Table 57. Timestp_ctl - timestamp control register (address 12h) bit allocation . . . . .	41
Table 24. Minutes - minutes register (address 04h) bit allocation . . . . .	26	Table 58. Timestp_ctl - timestamp control register (address 12h) bit description . . . . .	41
Table 25. Minutes - minutes register (address 04h) bit description . . . . .	26	Table 59. Sec_timestp - second timestamp register (address 13h) bit allocation . . . . .	41
Table 26. Hours - hours register (address 05h) bit allocation . . . . .	27	Table 60. Sec_timestp - second timestamp register (address 13h) bit description . . . . .	41
Table 27. Hours - hours register (address 05h) bit description . . . . .	27	Table 61. Min_timestp - minute timestamp register (address 14h) bit allocation . . . . .	42
Table 28. Days - days register (address 06h) bit allocation . . . . .	27	Table 62. Min_timestp - minute timestamp register (address 14h) bit description . . . . .	42
Table 29. Days - days register (address 06h) bit description . . . . .	27	Table 63. Hour_timestp - hour timestamp register (address 15h) bit allocation . . . . .	42
Table 30. Weekdays - weekdays register (address 07h) bit allocation . . . . .	28	Table 64. Hour_timestp - hour timestamp register (address 15h) bit description . . . . .	42
Table 31. Weekdays - weekdays register (address 07h) bit description . . . . .	28	Table 65. Day_timestp - day timestamp register (address 16h) bit allocation . . . . .	43
Table 32. Weekday assignments . . . . .	28		
Table 33. Months - months register (address 08h) bit allocation . . . . .	29		
Table 34. Months - months register (address 08h) bit description . . . . .	29		

Table 66. Day\_timestp - day timestamp register  
(address 16h) bit description .....43

Table 67. Mon\_timestp - month timestamp register  
(address 17h) bit allocation .....43

Table 68. Mon\_timestp - month timestamp register  
(address 17h) bit description .....43

Table 69. Year\_timestp - year timestamp register  
(address 18h) bit allocation .....43

Table 70. Year\_timestp - year timestamp register  
(address 18h) bit description .....43

Table 71. Battery switch-over and timestamp.....44

Table 72. Effect of bits MI and SI on pin INT and  
bit MSF .....46

Table 73. First increment of time circuits after  
stop release .....50

Table 74. Interface selection input pin IFS .....51

Table 75. Serial interface .....52

Table 76. Command byte definition .....52

Table 77. I<sup>2</sup>C slave address byte .....56

Table 78. Limiting values .....58

Table 79. Static characteristics .....59

Table 80. Frequency characteristics .....64

Table 81. SPI-bus characteristics .....66

Table 82. I<sup>2</sup>C-bus characteristics .....68

Table 83. Selection of Real-Time Clocks .....75

Table 84. Abbreviations .....77

Table 85. Revision history .....79

26. Figures

Fig 1.	Block diagram of PCF2129	3		
Fig 2.	Pin configuration for PCF2129AT (SO20)	4		
Fig 3.	Pin configuration for PCF2129T (SO16)	4		
Fig 4.	Position of the stubs from the package assembly process	4		
Fig 5.	Handling address registers	6		
Fig 6.	Battery switch-over behavior in standard mode with bit BIE set logic 1 (enabled)	18		
Fig 7.	Battery switch-over behavior in direct switching mode with bit BIE set logic 1 (enabled)	19		
Fig 8.	Battery switch-over circuit, simplified block diagram	20		
Fig 9.	Battery low detection behavior with bit BLIE set logic 1 (enabled)	21		
Fig 10.	Typical driving capability of $V_{BBS}$ : ( $V_{BBS} - V_{DD}$ ) with respect to the output load current $I_{BBS}$	22		
Fig 11.	Power failure event due to battery discharge: reset occurs	23		
Fig 12.	Dependency between POR and oscillator	24		
Fig 13.	Power-On Reset (POR) system	24		
Fig 14.	Power-On Reset Override (PORO) sequence, valid for both I <sup>2</sup> C-bus and SPI-bus	25		
Fig 15.	Data flow of the time function	30		
Fig 16.	Access time for read/write operations	31		
Fig 17.	Alarm function block diagram	32		
Fig 18.	Alarm flag timing diagram	35		
Fig 19.	WD_CD set logic 1: watchdog activates an interrupt when timed out	38		
Fig 20.	Timestamp detection with two push-buttons on the $\overline{TS}$ pin (for example, for tamper detection)	39		
Fig 21.	Interrupt block diagram	45		
Fig 22.	$\overline{INT}$ example for SI and MI when $TI_{TP}$ is logic 1	46		
Fig 23.	$\overline{INT}$ example for SI and MI when $TI_{TP}$ is logic 0	46		
Fig 24.	Example of shortening the $\overline{INT}$ pulse by clearing the MSF flag	47		
Fig 25.	AF timing diagram	48		
Fig 26.	STOP bit functional diagram	49		
Fig 27.	STOP bit release timing	50		
Fig 28.	Interface selection	51		
Fig 29.	SDI, SDO configurations	51		
Fig 30.	Data transfer overview	52		
Fig 31.	SPI-bus write example	53		
Fig 32.	SPI-bus read example	53		
Fig 33.	Bit transfer	54		
Fig 34.	Definition of START and STOP conditions	54		
Fig 35.	System configuration	55		
Fig 36.	Acknowledgement on the I <sup>2</sup> C-bus	55		
Fig 37.	Bus protocol, writing to registers	56		
Fig 38.	Bus protocol, reading from registers	56		
Fig 39.	Device diode protection diagram of PCF2129	57		
Fig 40.	$I_{OL}$ on pin SDA/ $\overline{CE}$	61		
Fig 41.	$I_{DD}$ as a function of temperature	61		
Fig 42.	$I_{DD}$ as a function of $V_{DD}$	62		
Fig 43.	Typical $I_{DD}$ as a function of the power management settings	63		
Fig 44.	Typical characteristic of frequency with respect to temperature of PCF2129AT	65		
Fig 45.	Typical characteristic of frequency with respect to temperature of PCF2129T	65		
Fig 46.	SPI-bus timing	67		
Fig 47.	I <sup>2</sup> C-bus timing diagram; rise and fall times refer to 30 % and 70 %	69		
Fig 48.	General application diagram	70		
Fig 49.	Package outline SOT163-1 (SO20) of PCF2129AT	71		
Fig 50.	Package outline SOT162-1 (SO16) of PCF2129T	72		
Fig 51.	Footprint information for reflow soldering of SOT163-1 (SO20) of PCF2129AT	73		
Fig 52.	Footprint information for reflow soldering of SOT162-1 (SO16) of PCF2129T	74		

27. Contents

<b>1</b>	<b>General description</b> . . . . .	<b>1</b>	8.9.1	Register Second_alarm . . . . .	33
<b>2</b>	<b>Features and benefits</b> . . . . .	<b>1</b>	8.9.2	Register Minute_alarm . . . . .	33
<b>3</b>	<b>Applications</b> . . . . .	<b>2</b>	8.9.3	Register Hour_alarm . . . . .	34
<b>4</b>	<b>Ordering information</b> . . . . .	<b>2</b>	8.9.4	Register Day_alarm . . . . .	34
4.1	Ordering options . . . . .	2	8.9.5	Register Weekday_alarm . . . . .	35
<b>5</b>	<b>Marking</b> . . . . .	<b>2</b>	8.9.6	Alarm flag . . . . .	35
<b>6</b>	<b>Block diagram</b> . . . . .	<b>3</b>	8.10	Timer functions . . . . .	35
<b>7</b>	<b>Pinning information</b> . . . . .	<b>4</b>	8.10.1	Register Watchdg_tim_ctl . . . . .	36
7.1	Pinning . . . . .	4	8.10.2	Register Watchdg_tim_val . . . . .	36
7.2	Pin description . . . . .	5	8.10.3	Watchdog timer function . . . . .	37
<b>8</b>	<b>Functional description</b> . . . . .	<b>6</b>	8.10.4	Pre-defined timers: second and minute interrupt . . . . .	38
8.1	Register overview . . . . .	6	8.10.5	Clearing flags . . . . .	38
8.2	Control registers . . . . .	10	8.11	Timestamp function . . . . .	39
8.2.1	Register Control_1 . . . . .	10	8.11.1	Timestamp flag . . . . .	40
8.2.2	Register Control_2 . . . . .	11	8.11.2	Timestamp mode . . . . .	40
8.2.3	Register Control_3 . . . . .	12	8.11.3	Timestamp registers . . . . .	41
8.3	Register CLKOUT_ctl . . . . .	12	8.11.3.1	Register Timestp_ctl . . . . .	41
8.3.1	Temperature compensated crystal oscillator . . . . .	13	8.11.3.2	Register Sec_timestp . . . . .	41
8.3.1.1	Temperature measurement . . . . .	13	8.11.3.3	Register Min_timestp . . . . .	42
8.3.2	OTP refresh . . . . .	13	8.11.3.4	Register Hour_timestp . . . . .	42
8.3.3	Clock output . . . . .	13	8.11.3.5	Register Day_timestp . . . . .	43
8.4	Register Aging_offset . . . . .	14	8.11.3.6	Register Mon_timestp . . . . .	43
8.4.1	Crystal aging correction . . . . .	14	8.11.3.7	Register Year_timestp . . . . .	43
8.5	Power management functions . . . . .	16	8.11.4	Dependency between Battery switch-over and timestamp . . . . .	44
8.5.1	Battery switch-over function . . . . .	17	8.12	Interrupt output, INT . . . . .	44
8.5.1.1	Standard mode . . . . .	18	8.12.1	Minute and second interrupts . . . . .	45
8.5.1.2	Direct switching mode . . . . .	19	8.12.2	INT pulse shortening . . . . .	47
8.5.1.3	Battery switch-over disabled: only one power supply (V <sub>DD</sub> ) . . . . .	19	8.12.3	Watchdog timer interrupts . . . . .	47
8.5.1.4	Battery switch-over architecture . . . . .	20	8.12.4	Alarm interrupts . . . . .	47
8.5.2	Battery low detection function . . . . .	20	8.12.5	Timestamp interrupts . . . . .	48
8.5.3	Battery backup supply . . . . .	21	8.12.6	Battery switch-over interrupts . . . . .	48
8.6	Oscillator stop detection function . . . . .	22	8.12.7	Battery low detection interrupts . . . . .	48
8.7	Reset function . . . . .	23	8.13	External clock test mode . . . . .	48
8.7.1	Power-On Reset (POR) . . . . .	23	8.14	STOP bit function . . . . .	49
8.7.2	Power-On Reset Override (PORO) . . . . .	24	<b>9</b>	<b>Interfaces</b> . . . . .	<b>51</b>
8.8	Time and date function . . . . .	25	9.1	SPI-bus interface . . . . .	51
8.8.1	Register Seconds . . . . .	25	9.1.1	Data transmission . . . . .	52
8.8.2	Register Minutes . . . . .	26	9.2	I <sup>2</sup> C-bus interface . . . . .	54
8.8.3	Register Hours . . . . .	27	9.2.1	Bit transfer . . . . .	54
8.8.4	Register Days . . . . .	27	9.2.2	START and STOP conditions . . . . .	54
8.8.5	Register Weekdays . . . . .	28	9.2.3	System configuration . . . . .	54
8.8.6	Register Months . . . . .	29	9.2.4	Acknowledge . . . . .	55
8.8.7	Register Years . . . . .	30	9.2.5	I <sup>2</sup> C-bus protocol . . . . .	55
8.8.8	Setting and reading the time . . . . .	30	9.3	Bus communication and battery backup operation . . . . .	56
8.9	Alarm function . . . . .	32	<b>10</b>	<b>Internal circuitry</b> . . . . .	<b>57</b>

continued >>

<b>11</b>	<b>Safety notes</b> .....	<b>57</b>
<b>12</b>	<b>Limiting values</b> .....	<b>58</b>
<b>13</b>	<b>Static characteristics</b> .....	<b>59</b>
13.1	Current consumption characteristics, typical .	61
13.2	Frequency characteristics .....	64
<b>14</b>	<b>Dynamic characteristics</b> .....	<b>66</b>
14.1	SPI-bus timing characteristics .....	66
14.2	I <sup>2</sup> C-bus timing characteristics .....	68
<b>15</b>	<b>Application information</b> .....	<b>70</b>
<b>16</b>	<b>Package outline</b> .....	<b>71</b>
<b>17</b>	<b>Packing information</b> .....	<b>73</b>
17.1	Tape and reel information .....	73
<b>18</b>	<b>Soldering</b> .....	<b>73</b>
18.1	Footprint information .....	73
<b>19</b>	<b>Appendix</b> .....	<b>75</b>
19.1	Real-Time Clock selection .....	75
<b>20</b>	<b>Abbreviations</b> .....	<b>77</b>
<b>21</b>	<b>References</b> .....	<b>78</b>
<b>22</b>	<b>Revision history</b> .....	<b>79</b>
<b>23</b>	<b>Legal information</b> .....	<b>80</b>
23.1	Data sheet status .....	80
23.2	Definitions .....	80
23.3	Disclaimers .....	80
23.4	Trademarks .....	81
<b>24</b>	<b>Contact information</b> .....	<b>81</b>
<b>25</b>	<b>Tables</b> .....	<b>82</b>
<b>26</b>	<b>Figures</b> .....	<b>84</b>
<b>27</b>	<b>Contents</b> .....	<b>85</b>

---

Please be aware that important notices concerning this document and the product(s) described herein, have been included in section 'Legal information'.

---

© NXP Semiconductors N.V. 2014.

All rights reserved.

For more information, please visit: <http://www.nxp.com>

For sales office addresses, please send an email to: [salesaddresses@nxp.com](mailto:salesaddresses@nxp.com)

Date of release: 19 December 2014

Document identifier: PCF2129