

阅读申明

- 1.本站收集的数据手册和产品资料都来自互联网，版权归原作者所有。如读者和版权方有任何异议请及时告之，我们将妥善解决。
- 2.本站提供的中文数据手册是英文数据手册的中文翻译，其目的是协助用户阅读，该译文无法自动跟随原稿更新，同时也可能存在翻译上的不当。建议读者以英文原稿为参考以便获得更精准的信息。
- 3.本站提供的产品资料，来自厂商的技术支持或者使用者的心得体会等，其内容可能存在描述上的差异，建议读者做出适当判断。
- 4.如需与我们联系，请发邮件到marketing@iczoom.com，主题请标有“数据手册”字样。

Read Statement

1. The datasheets and other product information on the site are all from network reference or other public materials, and the copyright belongs to the original author and original published source. If readers and copyright owners have any objections, please contact us and we will deal with it in a timely manner.
2. The Chinese datasheets provided on the website is a Chinese translation of the English datasheets. Its purpose is for reader's learning exchange only and do not involve commercial purposes. The translation cannot be automatically updated with the original manuscript, and there may also be improper translations. Readers are advised to use the English manuscript as a reference for more accurate information.
3. All product information provided on the website refer to solutions from manufacturers' technical support or users the contents may have differences in description, and readers are advised to take the original article as the standard.
4. If you have any questions, please contact us at marketing@iczoom.com and mark the subject with "Datasheets" .



Low-Power, 1-/2-Channel, I²C, 10-Bit ADCs in Ultra-Tiny 1.9mm x 2.2mm Package

General Description

The MAX11646/MAX11647 low-power, 10-bit, 1-/2-channel analog-to-digital converters (ADCs) feature internal track/hold (T/H), voltage reference, a clock, and an I²C-compatible 2-wire serial interface. These devices operate from a single supply of 2.7V to 3.6V (MAX11647) or 4.5V to 5.5V (MAX11646) and require only 6 μ A at a 1ksps sample rate. AutoShutdown™ powers down the devices between conversions, reducing supply current to less than 1 μ A at lower throughput rates. The MAX11646/MAX11647 each measure two single-ended or one differential input. The fully differential analog inputs are software configurable for unipolar or bipolar and single-ended or differential operation.

The full-scale analog input range is determined by the internal reference or by an externally applied reference voltage ranging from 1V to V_{DD}. The MAX11647 features a 2.048V internal reference and the MAX11646 features a 4.096V internal reference.

The MAX11646/MAX11647 are available in an ultra-tiny 1.9mm x 2.2mm WLP package and an 8-pin μ MAX® package. These ADCs are guaranteed over the extended temperature range (-40°C to +85°C). For pin-compatible 12-bit parts, refer to the MAX11644/MAX11645 data sheet.

Applications

Handheld Portable Applications
Medical Instruments
Battery-Powered Test Equipment
Power-Supply Monitoring
Solar-Powered Remote Systems
Received-Signal-Strength Indicators
System Supervision

Typical Operating Circuit and Selector Guide appear at end of data sheet.

*AutoShutdown is a trademark of Maxim Integrated Products, Inc.
 μ MAX is a registered trademark of Maxim Integrated Products, Inc.*

Features

- ◆ Ultra-Tiny 1.9mm x 2.2mm Wafer Level Package
- ◆ High-Speed I²C-Compatible Serial Interface
 - 400kHz Fast Mode
 - 1.7MHz High-Speed Mode
- ◆ Single Supply
 - 2.7V to 3.6V (MAX11647)
 - 4.5V to 5.5V (MAX11646)
- ◆ Internal Reference
 - 2.048V (MAX11647)
 - 4.096V (MAX11646)
- ◆ External Reference: 1V to V_{DD}
- ◆ Internal Clock
- ◆ 2-Channel Single-Ended or 1-Channel Fully Differential
- ◆ Internal FIFO with Channel-Scan Mode
- ◆ Low Power
 - 670 μ A at 94.4ksps
 - 230 μ A at 40ksps
 - 60 μ A at 10ksps
 - 6 μ A at 1ksps
 - 0.5 μ A in Power-Down Mode
- ◆ Software-Configurable Unipolar/Bipolar

Ordering Information

PART	TEMP RANGE	PIN-PACKAGE	I ² C SLAVE ADDRESS
MAX11646EUA+	-40°C to +85°C	8 μ MAX	0110110
MAX11647EUA+	-40°C to +85°C	8 μ MAX	0110110
MAX11647EWC+	-40°C to +85°C	12 WLP	0110110

+ Denotes a lead(Pb)-free/RoHS-compliant package.

MAX11646/MAX11647

Low-Power, 1-/2-Channel, I²C, 10-Bit ADCs in Ultra-Tiny 1.9mm x 2.2mm Package

ABSOLUTE MAXIMUM RATINGS

V _{DD} to GND	-0.3V to +6V	Operating Temperature Range	-40°C to +85°C
AIN0, AIN1, REF to GND	-0.3V to the lower of (V _{DD} + 0.3V) and 6V	Junction Temperature	+150°C
SDA, SCL to GND	-0.3V to +6V	Storage Temperature Range	-60°C to +150°C
Maximum Current Into Any Pin	±50mA	Lead Temperature (soldering, 10s) μMAX only	+300°C
Continuous Power Dissipation (T _A = +70°C) 8-Pin μMAX (derate 4.5mW/°C above +70°C)	362mW	Soldering Temperature (reflow)	+260°C
12-Pin WLP (derate 16.1mW/°C above +70°C)	1288mW		

Stresses beyond those listed under "Absolute Maximum Ratings" may cause permanent damage to the device. These are stress ratings only, and functional operation of the device at these or any other conditions beyond those indicated in the operational sections of the specifications is not implied. Exposure to absolute maximum rating conditions for extended periods may affect device reliability.

ELECTRICAL CHARACTERISTICS

(V_{DD} = 2.7V to 3.6V (MAX11647), V_{DD} = 4.5V to 5.5V (MAX11646), V_{REF} = 2.048V (MAX11647), V_{REF} = 4.096V (MAX11646), f_{SCL} = 1.7MHz, T_A = T_{MIN} to T_{MAX}, unless otherwise noted. Typical values are at T_A = +25°C. See Tables 1–5 for programming notation.) (Note 1)

PARAMETER	SYMBOL	CONDITIONS	MIN	TYP	MAX	UNITS
DC ACCURACY (Note 2)						
Resolution			10			Bits
Relative Accuracy	INL	(Note 3)			±1	LSB
Differential Nonlinearity	DNL	No missing codes over temperature			±1	LSB
Offset Error					±1	LSB
Offset-Error Temperature Coefficient		Relative to FSR		0.3		ppm/°C
Gain Error		(Note 4)			±1	LSB
Gain-Temperature Coefficient		Relative to FSR		0.3		ppm/°C
Channel-to-Channel Offset Matching				±0.1		LSB
Channel-to-Channel Gain Matching				±0.1		LSB
DYNAMIC PERFORMANCE (f_{IN(SINE-WAVE)} = 10kHz, V_{IN(P-P)} = V_{REF}, f_{SAMPLE} = 94.4ksps)						
Signal-to-Noise and Distortion	SINAD			60		dB
Total Harmonic Distortion	THD	Up to the fifth harmonic		-70		dB
Spurious-Free Dynamic Range	SFDR			70		dB
Full-Power Bandwidth		SINAD > 57dB		3.0		MHz
Full-Linear Bandwidth		-3dB point		5.0		MHz
CONVERSION RATE						
Conversion Time (Note 5)	t _{CONV}	Internal clock			6.8	μs
		External clock		10.6		
Throughput Rate	f _{SAMPLE}	Internal clock, SCAN[1:0] = 01		53		ksps
		External clock		94.4		
Track/Hold Acquisition Time			800			ns

Low-Power, 1-/2-Channel, I²C, 10-Bit ADCs in Ultra-Tiny 1.9mm x 2.2mm Package

MAX11646/MAX11647

ELECTRICAL CHARACTERISTICS (continued)

(V_{DD} = 2.7V to 3.6V (MAX11647), V_{DD} = 4.5V to 5.5V (MAX11646), V_{REF} = 2.048V (MAX11647), V_{REF} = 4.096V (MAX11646), f_{SCL} = 1.7MHz, T_A = T_{MIN} to T_{MAX}, unless otherwise noted. Typical values are at T_A = +25°C. See Tables 1–5 for programming notation.) (Note 1)

PARAMETER	SYMBOL	CONDITIONS		MIN	TYP	MAX	UNITS
Internal Clock Frequency					2.8		MHz
Aperture Delay (Note 6)	t _{AD}	External clock, fast mode			60		ns
		External clock, high-speed mode			30		
ANALOG INPUT (AIN0/AIN1)							
Input Voltage Range, Single-Ended and Differential (Note 7)		Unipolar		0		V _{REF}	V
		Bipolar		0		±V _{REF} /2	
Input Multiplexer Leakage Current		On/off-leakage current, V _{AIN_} = 0V or V _{DD}			±0.01	±1	μA
Input Capacitance	C _{IN}				22		pF
INTERNAL REFERENCE (Note 8)							
Reference Voltage	V _{REF}	T _A = +25°C	MAX11647	1.968	2.048	2.128	V
			MAX11646	3.939	4.096	4.256	
Reference-Voltage Temperature Coefficient	T _{CVREF}				25		ppm/°C
REF Short-Circuit Current						2	mA
REF Source Impedance					1.5		kΩ
EXTERNAL REFERENCE							
REF Input Voltage Range	V _{REF}	(Note 9)		1		V _{DD}	V
REF Input Current	I _{REF}	f _{SAMPLE} = 94.4ksp/s				40	μA
DIGITAL INPUTS/OUTPUTS (SCL, SDA)							
Input High Voltage	V _{IH}			0.7 × V _{DD}			V
Input Low Voltage	V _{IL}					0.3 × V _{DD}	V
Input Hysteresis	V _{HYST}			0.1 × V _{DD}			V
Input Current	I _{IN}	V _{IN} = 0V to V _{DD}				±10	μA
Input Capacitance	C _{IN}				15		pF
Output Low Voltage	V _{OL}	I _{SINK} = 3mA				0.4	V
POWER REQUIREMENTS							
Supply Voltage	V _{DD}	MAX11647		2.7		3.6	V
		MAX11646		4.5		5.5	
Supply Current	I _{DD}	f _{SAMPLE} = 94.4ksp/s external clock	Internal reference		900	1150	μA
			External reference		670	900	
		f _{SAMPLE} = 40ksp/s internal clock	Internal reference		530		
			External reference		230		
		f _{SAMPLE} = 10ksp/s internal clock	Internal reference		380		
			External reference		60		
		f _{SAMPLE} = 1ksp/s internal clock	Internal reference		330		
	External reference		6				
Shutdown (internal reference off)				0.5	10		

Low-Power, 1-/2-Channel, I²C, 10-Bit ADCs in Ultra-Tiny 1.9mm x 2.2mm Package

ELECTRICAL CHARACTERISTICS (continued)

(V_{DD} = 2.7V to 3.6V (MAX11647), V_{DD} = 4.5V to 5.5V (MAX11646), V_{REF} = 2.048V (MAX11647), V_{REF} = 4.096V (MAX11646), f_{SCL} = 1.7MHz, T_A = T_{MIN} to T_{MAX}, unless otherwise noted. Typical values are at T_A = +25°C. See Tables 1–5 for programming notation.) (Note 1)

PARAMETER	SYMBOL	CONDITIONS	MIN	TYP	MAX	UNITS
POWER REQUIREMENTS						
Power-Supply Rejection Ratio	PSRR	Full-scale input (Note 10)		±0.01	±0.5	LSB/V

TIMING CHARACTERISTICS (Figure 1)

(V_{DD} = 2.7V to 3.6V (MAX11647), V_{DD} = 4.5V to 5.5V (MAX11646), V_{REF} = 2.048V (MAX11647), V_{REF} = 4.096V (MAX11646), f_{SCL} = 1.7MHz, T_A = T_{MIN} to T_{MAX}, unless otherwise noted. Typical values are at T_A = +25°C. See Tables 1–5 for programming notation.) (Note 1)

PARAMETER	SYMBOL	CONDITIONS	MIN	TYP	MAX	UNITS
TIMING CHARACTERISTICS FOR FAST MODE						
Serial-Clock Frequency	f _{SCL}				400	kHz
Bus Free Time Between a STOP (P) and a START (S) Condition	t _{BUF}		1.3			μs
Hold Time for a START (S) Condition	t _{HD:STA}		0.6			μs
Low Period of the SCL Clock	t _{LOW}		1.3			μs
High Period of the SCL Clock	t _{HIGH}		0.6			μs
Setup Time for a REPEATED START Condition (Sr)	t _{SU:STA}		0.6			μs
Data Hold Time	t _{HD:DAT}	(Note 11)	0		900	ns
Data Setup Time	t _{SU:DAT}		100			ns
Rise Time of Both SDA and SCL Signals, Receiving	t _R	Measured from 0.3V _{DD} to 0.7V _{DD}	20 + 0.1C _B		300	ns
Fall Time of SDA Transmitting	t _F	Measured from 0.3V _{DD} to 0.7V _{DD} (Note 12)	20 + 0.1C _B		300	ns
Setup Time for a STOP (P) Condition	t _{SU:STO}		0.6			μs
Capacitive Load for Each Bus	C _B				400	pF
Pulse Width of Spike	t _{SP}				50	ns
TIMING CHARACTERISTICS FOR HIGH-SPEED MODE (C_B = 400pF, Note 13)						
Serial-Clock Frequency	f _{SCLH}	(Note 14)			1.7	MHz
Hold Time, REPEATED START Condition (Sr)	t _{HD:STA}		160			ns
Low Period of the SCL Clock	t _{LOW}		320			ns
High Period of the SCL Clock	t _{HIGH}		120			ns
Setup Time for a REPEATED START Condition (Sr)	t _{SU:STA}		160			ns
Data Hold Time	t _{HD:DAT}	(Note 11)	0		150	ns
Data Setup Time	t _{SU:DAT}		10			ns

Low-Power, 1-/2-Channel, I²C, 10-Bit ADCs in Ultra-Tiny 1.9mm x 2.2mm Package

MAX11646/MAX11647

TIMING CHARACTERISTICS (Figure 1) (continued)

(V_{DD} = 2.7V to 3.6V (MAX11647), V_{DD} = 4.5V to 5.5V (MAX11646), V_{REF} = 2.048V (MAX11647), V_{REF} = 4.096V (MAX11646), f_{SCL} = 1.7MHz, T_A = T_{MIN} to T_{MAX}, unless otherwise noted. Typical values are at T_A = +25°C. See Tables 1–5 for programming notation.) (Note 1)

PARAMETER	SYMBOL	CONDITIONS	MIN	TYP	MAX	UNITS
Rise Time of SCL Signal (Current Source Enabled)	t _{RCL}	Measured from 0.3V _{DD} to 0.7V _{DD}	20		80	ns
Rise Time of SCL Signal After Acknowledge Bit	t _{RCL1}	Measured from 0.3V _{DD} to 0.7V _{DD}	20		160	ns
Fall Time of SCL Signal	t _{FCL}	Measured from 0.3V _{DD} to 0.7V _{DD}	20		80	ns
Rise Time of SDA Signal	t _{RDA}	Measured from 0.3V _{DD} to 0.7V _{DD}	20		160	ns
Fall Time of SDA Signal	t _{FDA}	Measured from 0.3V _{DD} to 0.7V _{DD} (Note 12)	20		160	ns
Setup Time for a STOP (P) Condition	t _{SU:STO}		160			ns
Capacitive Load for Each Bus Line	C _B				400	pF
Pulse Width of Spike	t _{SP}	(Notes 11 and 14)	0		10	ns

- Note 1:** All WLP devices are 100% production tested at T_A = +25°C. Specifications over temperature limits are guaranteed by design and characterization.
- Note 2:** For DC accuracy, the MAX11646 is tested at V_{DD} = 5V and the MAX11647 is tested at V_{DD} = 3V, with an external reference for both ADCs. All devices are configured for unipolar, single-ended inputs.
- Note 3:** Relative accuracy is the deviation of the analog value at any code from its theoretical value after the full-scale range and offsets have been calibrated.
- Note 4:** Offset nulled.
- Note 5:** Conversion time is defined as the number of clock cycles needed for conversion multiplied by the clock period. Conversion time does not include acquisition time. SCL is the conversion clock in the external clock mode.
- Note 6:** A filter on the SDA and SCL inputs suppresses noise spikes and delays the sampling instant.
- Note 7:** The absolute input voltage range for the analog inputs (AIN0/AIN1) is from GND to V_{DD}.
- Note 8:** When the internal reference is configured to be available at REF (SEL[2:1] = 11), decouple REF to GND with a 0.1µF capacitor and a 2kΩ series resistor (see the *Typical Operating Circuit*).
- Note 9:** ADC performance is limited by the converter's noise floor, typically 300µV_{P-P}.
- Note 10:** Measured as follows for the MAX11647:

$$\frac{\left[V_{FS}(3.6V) - V_{FS}(2.7V) \right] \times \frac{2^N}{V_{REF}}}{(3.6V - 2.7V)}$$

and for the MAX11646, where N is the number of bits:

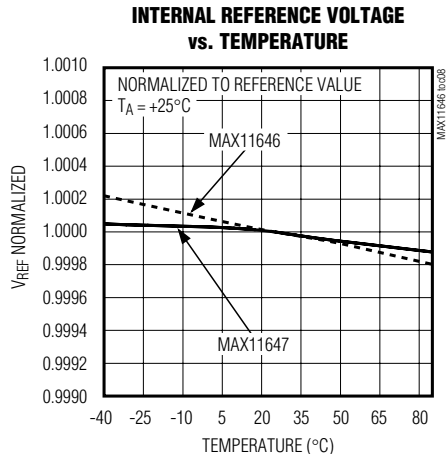
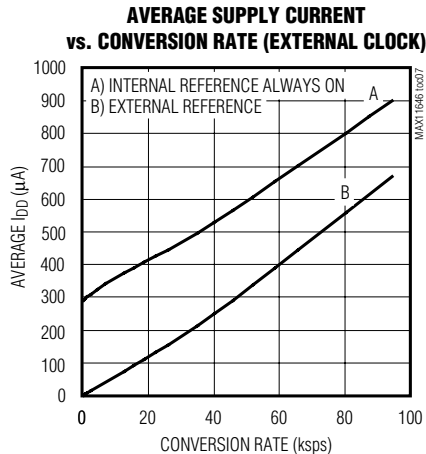
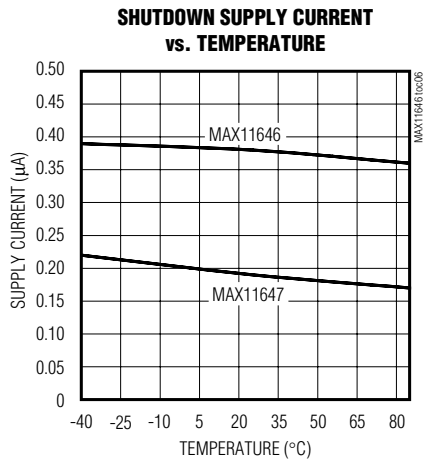
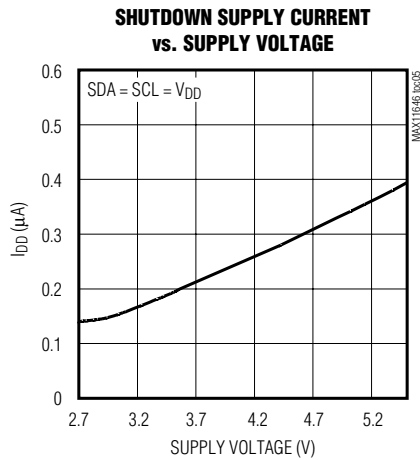
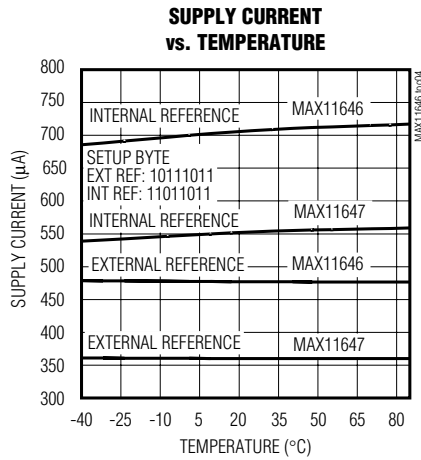
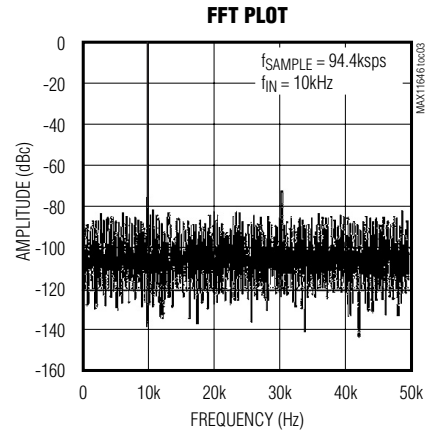
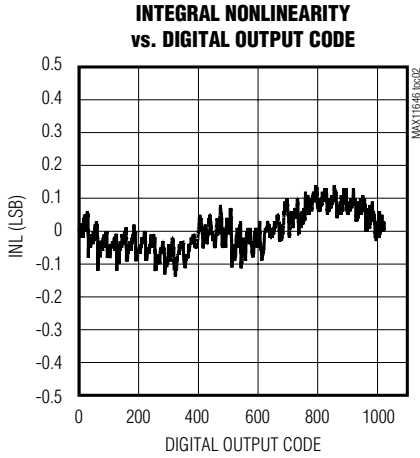
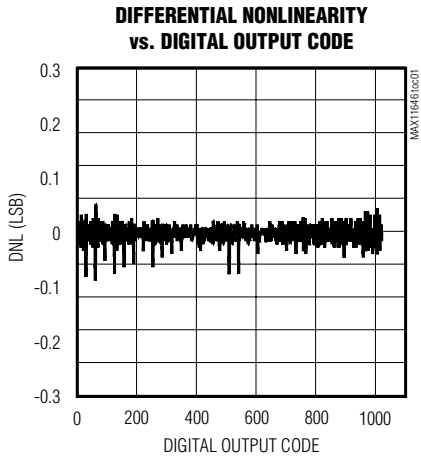
$$\frac{\left[V_{FS}(5.5V) - V_{FS}(4.5V) \right] \times \frac{2^N}{V_{REF}}}{(5.5V - 4.5V)}$$

- Note 11:** A master device must provide a data hold time for SDA (referred to V_{IL} of SCL) to bridge the undefined region of SCL's falling edge (see Figure 1).
- Note 12:** The minimum value is specified at T_A = +25°C.
- Note 13:** C_B = total capacitance of one bus line in pF.
- Note 14:** f_{SCL} must meet the minimum clock low time plus the rise/fall times.

Low-Power, 1-/2-Channel, I²C, 10-Bit ADCs in Ultra-Tiny 1.9mm x 2.2mm Package

Typical Operating Characteristics

(V_{DD} = 3.3V (MAX11647), V_{DD} = 5V (MAX11646), f_{SCL} = 1.7MHz, external clock, f_{SAMPLE} = 94.4ksps, single-ended, unipolar, T_A = +25°C, unless otherwise noted.)

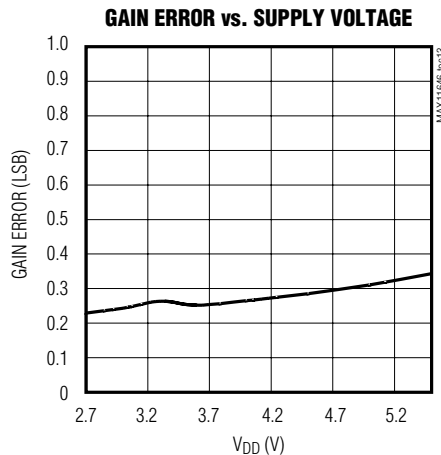
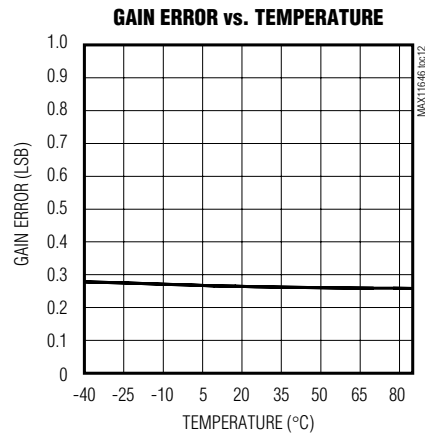
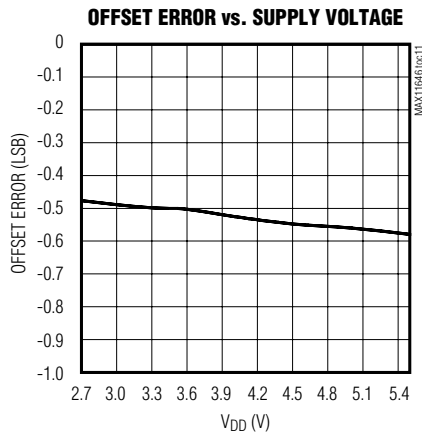
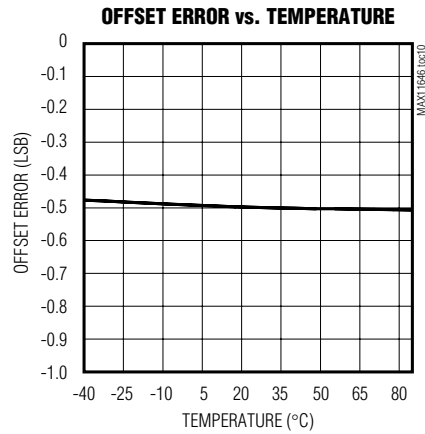
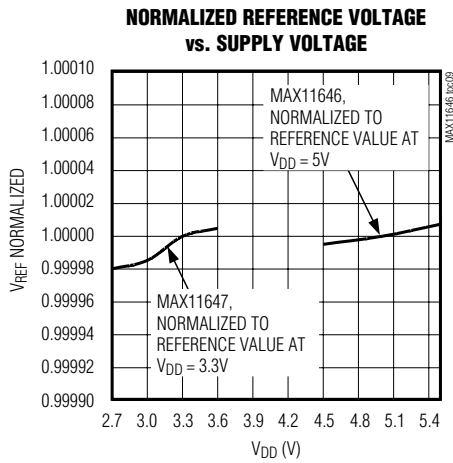


Low-Power, 1-/2-Channel, I²C, 10-Bit ADCs in Ultra-Tiny 1.9mm x 2.2mm Package

Typical Operating Characteristics (continued)

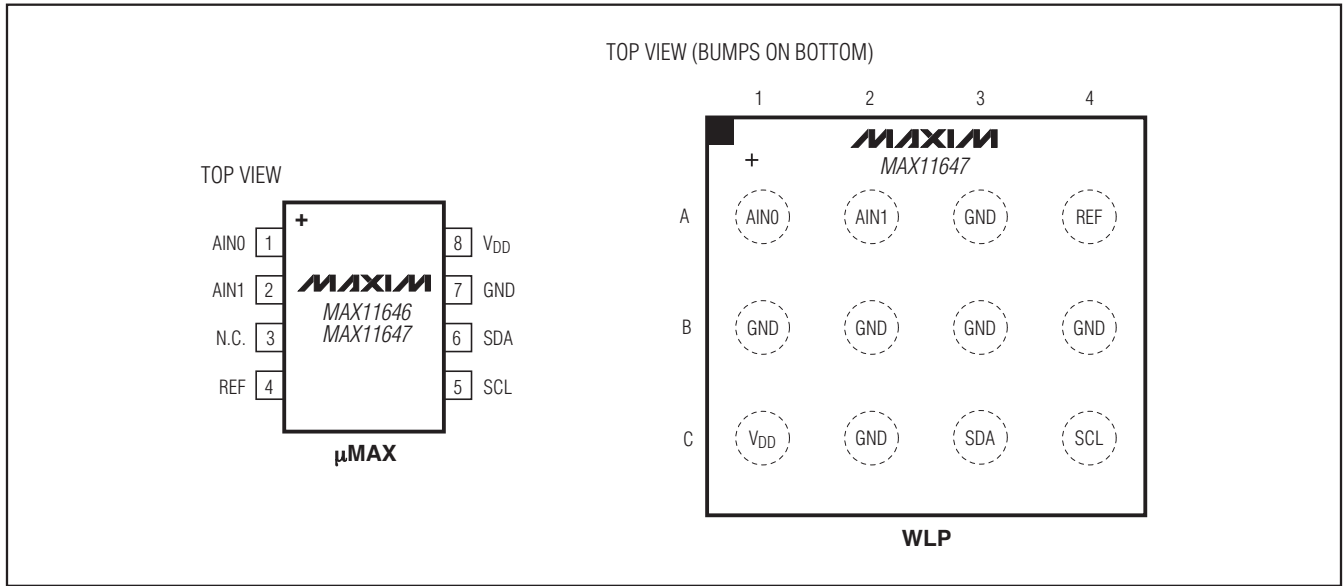
(V_{DD} = 3.3V (MAX11647), V_{DD} = 5V (MAX11646), f_{SCL} = 1.7MHz, external clock, f_{SAMPLE} = 94.4ksp/s, single-ended, unipolar, T_A = +25°C, unless otherwise noted.)

MAX11646/MAX11647



Low-Power, 1-/2-Channel, I²C, 10-Bit ADCs in Ultra-Tiny 1.9mm x 2.2mm Package

Pin Configuration



Pin Description

PIN		NAME	FUNCTION
μMAX	WLP		
1,2	A1, A2	AIN0, AIN1	Analog Inputs
3	—	N.C.	No connection. Not internally connected.
4	A4	REF	Reference Input/Output. Selected in the setup register (see Tables 1 and 6).
5	C4	SCL	Clock Input
6	C3	SDA	Data Input/Output
7	A3, B1–B4, C2	GND	Ground
8	C1	V _{DD}	Positive Supply. Bypass to GND with a 0.1μF capacitor.

Low-Power, 1-/2-Channel, I²C, 10-Bit ADCs in Ultra-Tiny 1.9mm x 2.2mm Package

MAX11646/MAX11647

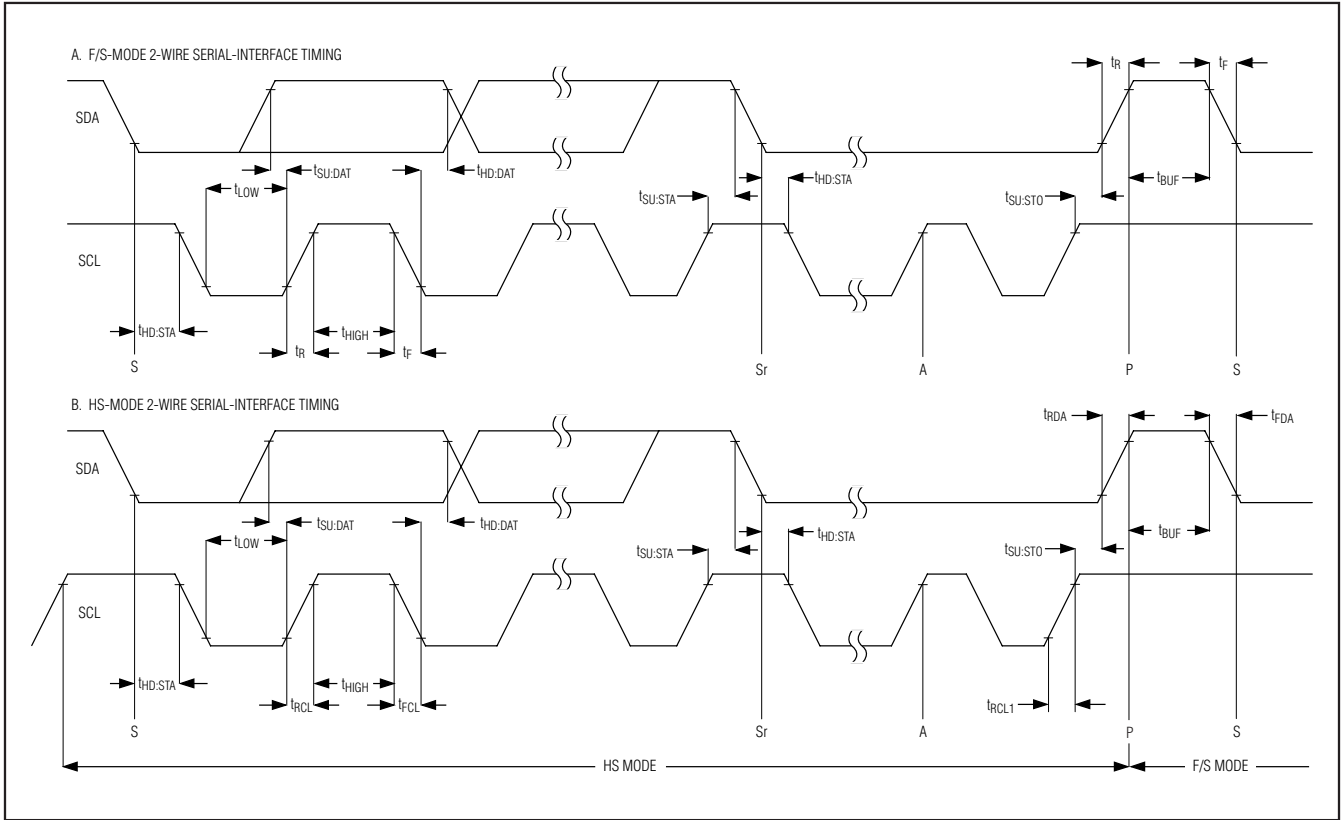


Figure 1. 2-Wire Serial-Interface Timing

Low-Power, 1-/2-Channel, I²C, 10-Bit ADCs in Ultra-Tiny 1.9mm x 2.2mm Package

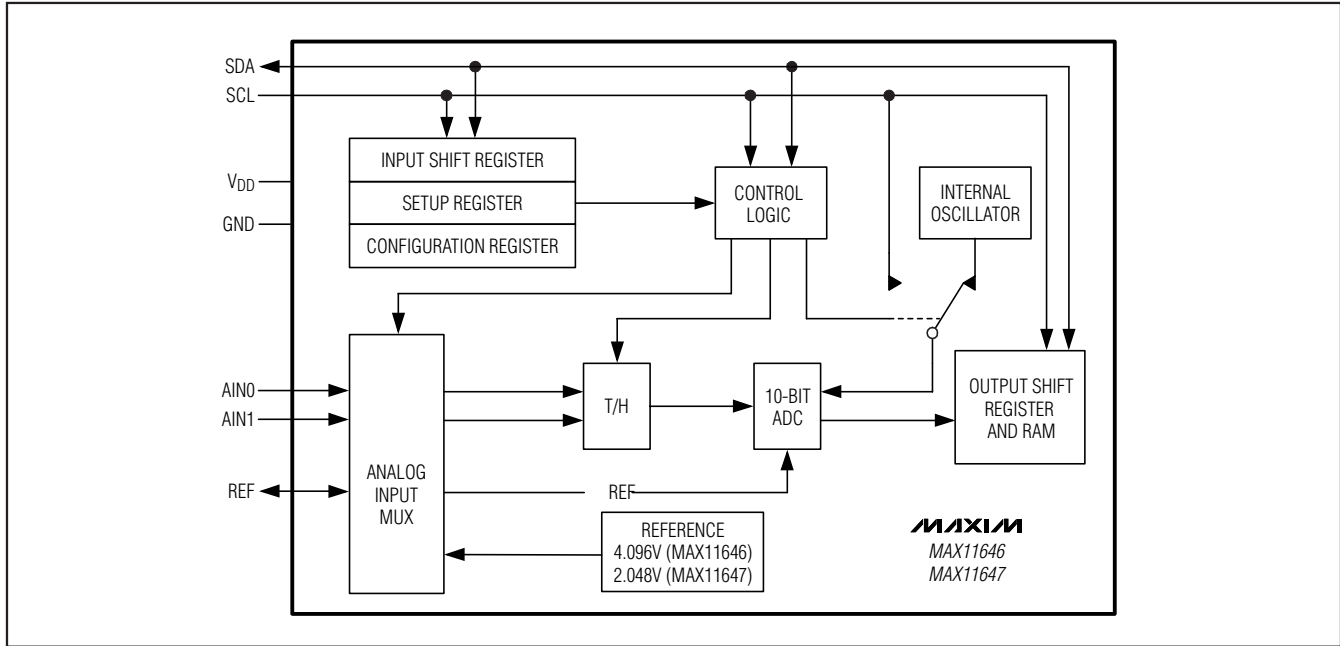


Figure 2. Functional Diagram

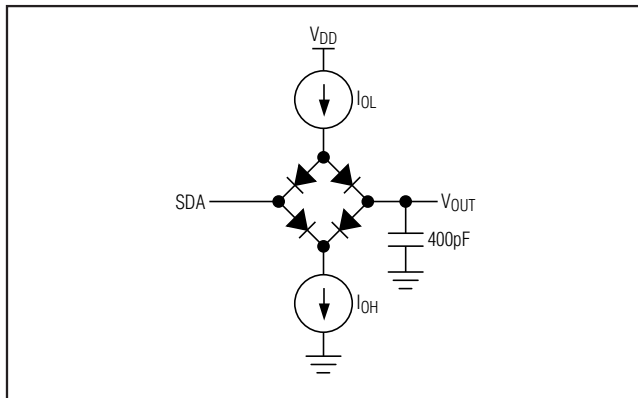


Figure 3. Load Circuit

Detailed Description

The MAX11646/MAX11647 ADCs use successive-approximation conversion techniques and fully differential input T/H circuitry to capture and convert an analog signal to a serial 10-bit digital output. The MAX11646/MAX11647 measure either two single-ended inputs or one differential input. These devices feature a high-speed, 2-wire serial interface supporting data rates up to 1.7MHz. Figure 2 shows the simplified internal structure for the MAX11646/MAX11647.

Power Supply

The MAX11646/MAX11647 operate from a single supply and consume 670µA (typ) at sampling rates up to 94.4ksps. The MAX11647 features a 2.048V internal reference and the MAX11646 features a 4.096V internal reference. These devices can be configured for use with an external reference from 1V to V_{DD}.

Analog Input and Track/Hold

The MAX11646/MAX11647 analog input architecture contains an analog input multiplexer (mux), a fully differential T/H capacitor, T/H switches, a comparator, and a fully differential switched capacitive digital-to-analog converter (DAC) (Figure 4).

In single-ended mode, the analog-input multiplexer connects C_{T/H} between the analog input selected by CS0 (see the *Configuration/Setup Bytes (Write Cycle)* section) and GND (Table 3). In differential mode, the analog input multiplexer connects C_{T/H} to the + and - analog inputs selected by CS0 (Table 4).

During the acquisition interval, the T/H switches are in the track position and C_{T/H} charges to the analog input signal. At the end of the acquisition interval, the T/H switches move to the hold position retaining the charge on C_{T/H} as a stable sample of the input signal.

Low-Power, 1-/2-Channel, I²C, 10-Bit ADCs in Ultra-Tiny 1.9mm x 2.2mm Package

During the conversion interval, the switched capacitive DAC adjusts to restore the comparator input voltage to 0V within the limits of 10-bit resolution. This action requires 10 conversion clock cycles and is equivalent to transferring a charge of $11\text{pF} \times (V_{\text{IN}+} - V_{\text{IN}-})$ from $C_{\text{T/H}}$ to the binary-weighted capacitive DAC, forming a digital representation of the analog input signal.

Sufficiently low source impedance is required to ensure an accurate sample. A source impedance of up to $1.5\text{k}\Omega$ does not significantly degrade sampling accuracy. To minimize sampling errors with higher source impedances, connect a 100pF capacitor from the analog input to GND. This input capacitor forms an RC filter with the source impedance limiting the analog-input bandwidth. For larger source impedances, use a buffer amplifier to maintain analog-input signal integrity and bandwidth.

When operating in internal clock mode, the T/H circuitry enters its tracking mode on the eighth rising clock edge of the address byte (see the *Slave Address* section). The T/H circuitry enters hold mode on the falling clock edge of the acknowledge bit of the address byte (the ninth clock pulse). A conversion or a series of conversions is then internally clocked and the MAX11646/MAX11647 hold SCL low. With external clock mode, the T/H circuitry enters track mode after a valid address on the rising edge of the clock during the read ($R/\bar{W} = 1$) bit. Hold mode is then entered on the rising edge of the second clock pulse during the shifting out of the first byte of the result. The conversion is performed during the next 10 clock cycles.

The time required for the T/H circuitry to acquire an input signal is a function of the input sample capacitance. If the analog input source impedance is high, the acquisition time constant lengthens and more time must be allowed between conversions. The acquisition time (t_{ACQ}) is the minimum time needed for the signal to be acquired. It is calculated by:

$$t_{\text{ACQ}} \geq 9 \times (R_{\text{SOURCE}} + R_{\text{IN}}) \times C_{\text{IN}}$$

where R_{SOURCE} is the analog input source impedance, $R_{\text{IN}} = 2.5\text{k}\Omega$, and $C_{\text{IN}} = 22\text{pF}$. t_{ACQ} is $1.5/f_{\text{SCL}}$ for internal clock mode and $t_{\text{ACQ}} = 2/f_{\text{SCL}}$ for external clock mode.

Analog Input Bandwidth

The MAX11646/MAX11647 feature input-tracking circuitry with a 5MHz small-signal bandwidth. The 5MHz input bandwidth makes it possible to digitize high-speed transient events and measure periodic signals with bandwidths exceeding the ADC's sampling rate by using under sampling techniques. To avoid high-frequency signals being aliased into the frequency band of interest, anti-alias filtering is recommended.

Analog Input Range and Protection

Internal protection diodes clamp the analog input to V_{DD} and GND. These diodes allow the analog inputs to swing from $(V_{\text{GND}} - 0.3\text{V})$ to $(V_{\text{DD}} + 0.3\text{V})$ without causing damage to the device. For accurate conversions the inputs must not go more than 50mV below GND or above V_{DD} .

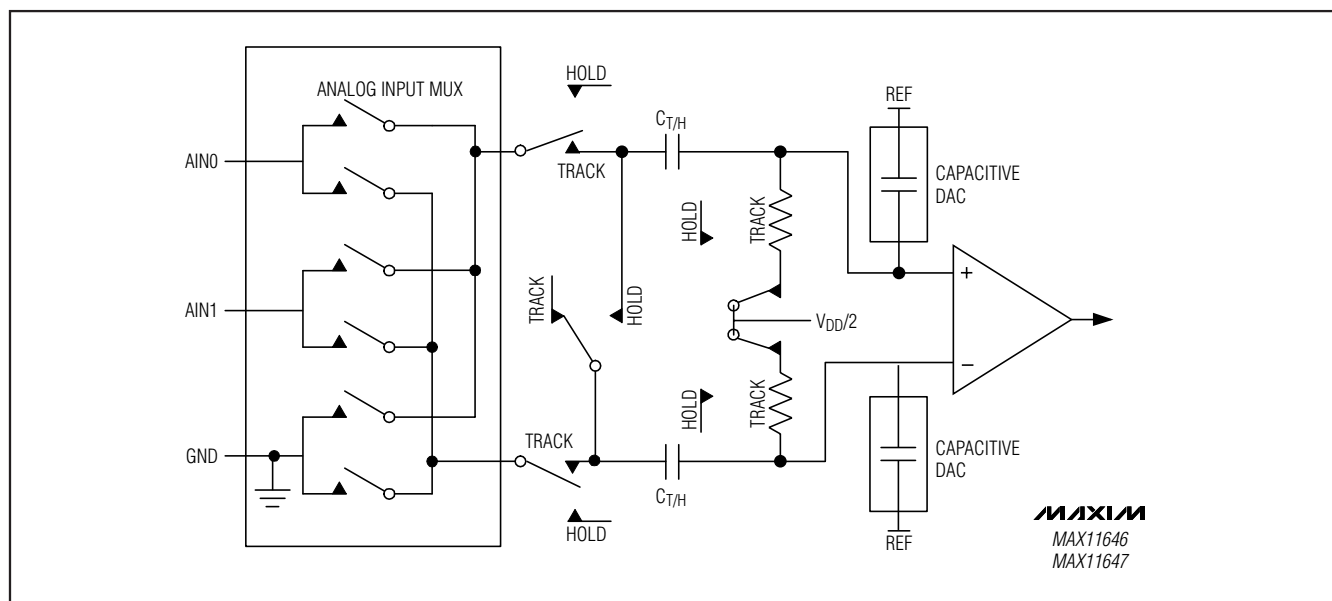


Figure 4. Equivalent Input Circuit

Low-Power, 1-/2-Channel, I²C, 10-Bit ADCs in Ultra-Tiny 1.9mm x 2.2mm Package

Single-Ended/Differential Input

The SGL/DIF of the configuration byte configures the MAX11646/MAX11647 analog input circuitry for single-ended or differential inputs (Table 2). In single-ended mode (SGL/DIF = 1), the digital conversion results are the difference between the analog input selected by CS0 and GND (Table 3). In differential mode (SGL/DIF = 0), the digital conversion results are the difference between the + and the - analog inputs selected by CS0 (Table 4).

Unipolar/Bipolar

When operating in differential mode, the BIP/UNI bit of the setup byte (Table 1) selects unipolar or bipolar operation. Unipolar mode sets the differential input range from 0 to VREF. A negative differential analog input in unipolar mode causes the digital output code to be zero. Selecting bipolar mode sets the differential input range to $\pm V_{REF}/2$. The digital output code is binary in unipolar mode and two's complement in bipolar mode. See the *Transfer Functions* section.

In single-ended mode, the MAX11646/MAX11647 always operate in unipolar mode irrespective of BIP/UNI. The analog inputs are internally referenced to GND with a full-scale input range from 0 to VREF.

2-Wire Digital Interface

The MAX11646/MAX11647 feature a 2-wire interface consisting of a serial-data line (SDA) and serial-clock line (SCL). SDA and SCL facilitate bidirectional communication between the MAX11646/MAX11647 and the master at rates up to 1.7MHz. The MAX11646/MAX11647 are slaves that transfer and receive data. The master (typically a microcontroller) initiates data transfer on the bus and generates the SCL signal to permit that transfer.

SDA and SCL must be pulled high. This is typically done with pullup resistors (750 Ω or greater) (see the *Typical Operating Circuit*). Series resistors (RS) are optional. They protect the input architecture of the MAX11646/MAX11647 from high voltage spikes on the bus lines, minimize crosstalk, and undershoot of the bus signals.

Bit Transfer

One data bit is transferred during each SCL clock cycle. A minimum of 18 clock cycles are required to transfer the data in or out of the MAX11646/MAX11647. The data on SDA must remain stable during the high period of the SCL clock pulse. Changes in SDA while SCL is stable are considered control signals (see the *START and STOP Conditions* section). Both SDA and SCL remain high when the bus is not busy.

START and STOP Conditions

The master initiates a transmission with a START condition (S), a high-to-low transition on SDA while SCL is high. The master terminates a transmission with a STOP condition (P), a low-to-high transition on SDA while SCL is high (Figure 5). A repeated START condition (Sr) can be used in place of a STOP condition to leave the bus active and the mode unchanged (see the *HS Mode* section).

Acknowledge Bits

Data transfers are acknowledged with an acknowledge bit (A) or a not-acknowledge bit (\bar{A}). Both the master and the MAX11646/MAX11647 (slave) generate acknowledge bits. To generate an acknowledge, the receiving device must pull SDA low before the rising edge of the acknowledge-related clock pulse (ninth pulse) and keep it low during the high period of the clock pulse (Figure 6). To generate a not-acknowledge, the receiver allows SDA to be pulled high before the rising edge of the acknowledge-related clock pulse and leaves SDA high during the high period of the clock pulse. Monitoring the acknowledge bits allows for detection of unsuccessful data transfers. An unsuccessful data transfer happens if a receiving device is busy or if a system fault has occurred. In the event of an unsuccessful data transfer, the bus master should reattempt communication at a later time.

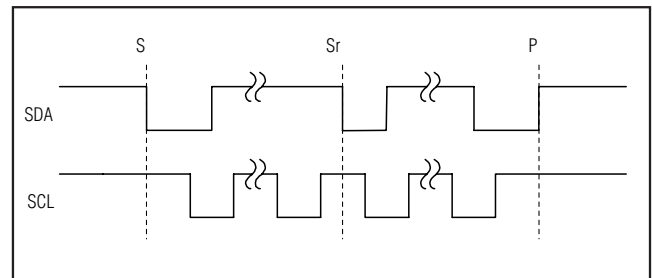


Figure 5. START and STOP Conditions

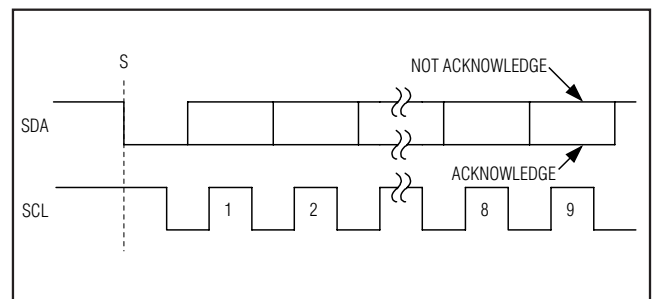


Figure 6. Acknowledge Bits

Low-Power, 1-/2-Channel, I²C, 10-Bit ADCs in Ultra-Tiny 1.9mm x 2.2mm Package

MAX11646/MAX11647

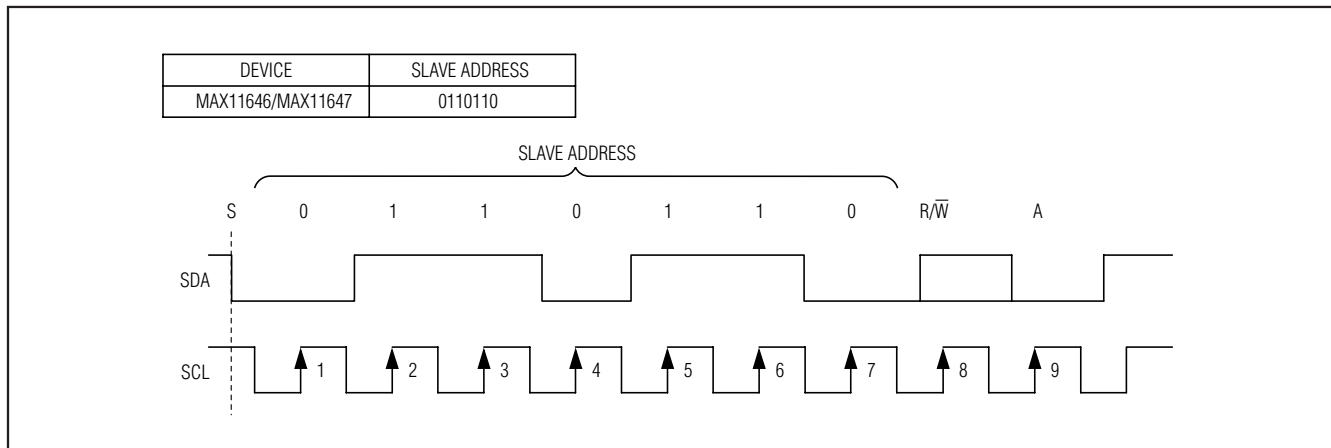


Figure 7. Slave Address Byte

Slave Address

A bus master initiates communication with a slave device by issuing a START condition followed by a slave address. When idle, the MAX11646/MAX11647 continuously wait for a START condition followed by their slave address. When the MAX11646/MAX11647 recognize their slave address, they are ready to accept or send data. The slave address has been factory programmed and is always 0110110 for the MAX11646/MAX11647 (Figure 7). The least significant bit (LSB) of the address byte (R/W) determines whether the master is writing to or reading from the MAX11646/MAX11647 (R/W = 0 selects a write condition, R/W = 1 selects a read condition). After receiving the address, the MAX11646/MAX11647 (slave) issue an acknowledge by pulling SDA low for one clock cycle.

Bus Timing

At power-up, the MAX11646/MAX11647 bus timing is set for fast mode (F/S mode), allowing conversion rates up to 22.2ksps. The MAX11646/MAX11647 must operate in

high-speed mode (HS mode) to achieve conversion rates up to 94.4ksps. Figure 1 shows the bus timing for the MAX11646/MAX11647's 2-wire interface.

HS Mode

At power-up, the MAX11646/MAX11647 bus timing is set for F/S mode. The bus master selects HS mode by addressing all devices on the bus with the HS-mode master code 0000 1XXX (X = don't care). After successfully receiving the HS-mode master code, the MAX11646/MAX11647 issue a not-acknowledge, allowing SDA to be pulled high for one clock cycle (Figure 8). After the not-acknowledge, the MAX11646/MAX11647 are in HS mode. The bus master must then send a repeated START followed by a slave address to initiate HS-mode communication. If the master generates a STOP condition the MAX11646/MAX11647 return to F/S mode.

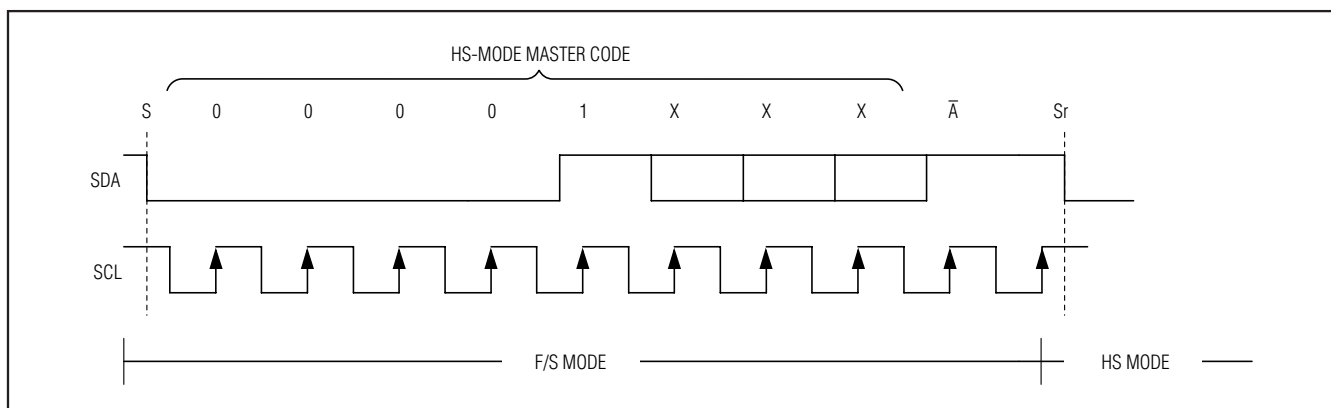


Figure 8. F/S-Mode to HS-Mode Transfer

Low-Power, 1-/2-Channel, I²C, 10-Bit ADCs in Ultra-Tiny 1.9mm x 2.2mm Package

Configuration/Setup Bytes (Write Cycle)

A write cycle begins with the bus master issuing a START condition followed by 7 address bits (Figure 7) and a write bit (R/W = 0). If the address byte is successfully received, the MAX11646/MAX11647 (slave) issue an acknowledge. The master then writes to the slave. The slave recognizes the received byte as the setup byte (Table 1) if the most significant bit (MSB) is 1. If the MSB is 0, the slave recognizes that byte as the configu-

ration byte (Table 2). The master can write either 1 or 2 bytes to the slave in any order (setup byte then configuration byte, configuration byte then setup byte, setup byte or configuration byte only; see Figure 9). If the slave receives a byte successfully, it issues an acknowledge. The master ends the write cycle by issuing a STOP condition or a repeated START condition. When operating in HS mode, a STOP condition returns the bus into F/S mode (see the *HS Mode* section).

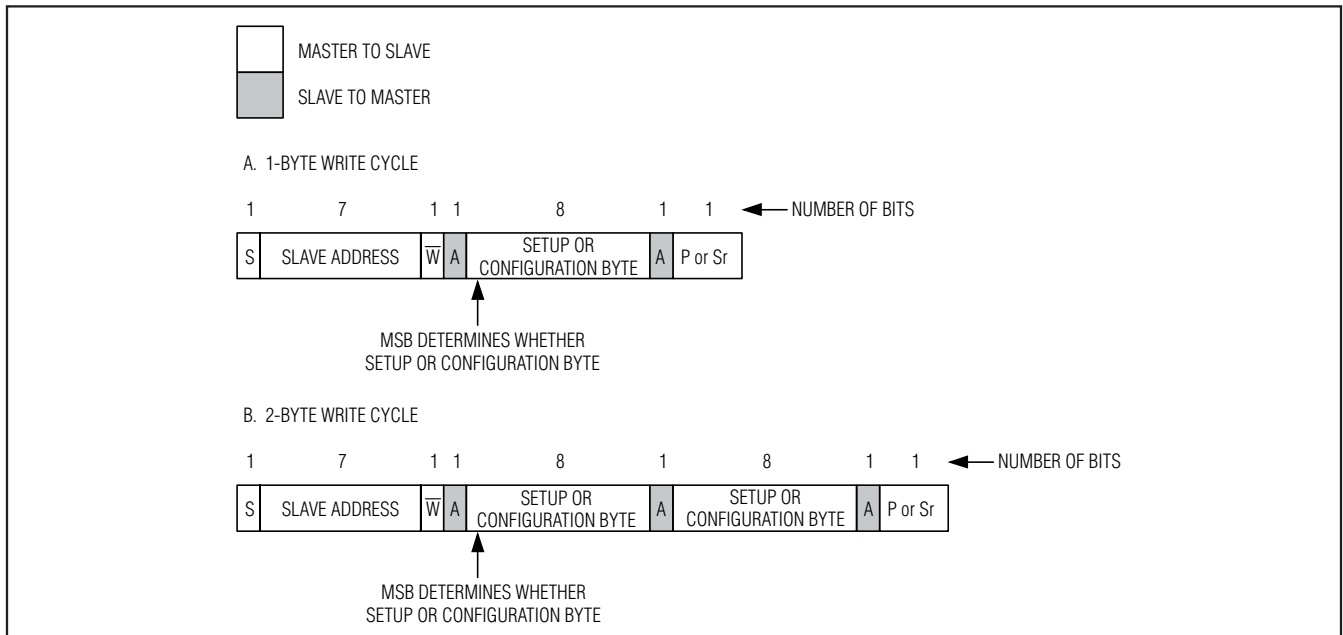


Figure 9. Write Cycle

Table 1. Setup Byte Format

BIT 7 (MSB)	BIT 6	BIT 5	BIT 4	BIT 3	BIT 2	BIT 1	BIT 0 (LSB)
REG	SEL2	SEL1	SELO	CLK	BIP/ $\overline{\text{UNI}}$	$\overline{\text{RST}}$	X
BIT	NAME	DESCRIPTION					
7	REG	Register bit. 1 = setup byte, 0 = configuration byte (see Table 2).					
6	SEL2	Three bits select the reference voltage (Table 6). Default to 000 at power-up.					
5	SEL1						
4	SELO						
3	CLK	1 = external clock, 0 = internal clock. Defaulted to 0 at power-up.					
2	BIP/ $\overline{\text{UNI}}$	1 = bipolar, 0 = unipolar. Defaulted to 0 at power-up (see the <i>Unipolar/Bipolar</i> section).					
1	$\overline{\text{RST}}$	1 = no action, 0 = resets the configuration register to default. Setup register remains unchanged.					
0	X	Don't-care bit. This bit can be set to 1 or 0.					

Low-Power, 1-/2-Channel, I²C, 10-Bit ADCs in Ultra-Tiny 1.9mm x 2.2mm Package

MAX11646/MAX11647

Table 2. Configuration Byte Format

BIT 7 (MSB)	BIT 6	BIT 5	BIT 4	BIT 3	BIT 2	BIT 1	BIT 0 (LSB)
REG	SCAN1	SCAN0	X	X	X	CS0	SGL/DIF
BIT	NAME	DESCRIPTION					
7	REG	Register bit. 1 = setup byte (see Table 1), 0 = configuration byte.					
6	SCAN1	Scan-select bits. Two bits select the scanning configuration (Table 5). Defaults to 00 at power-up.					
5	SCAN0						
4	X						
3	X						
2	X	Channel-select bit. CS0 selects which analog input channels are to be used for conversion (Tables 3 and 4). Defaults to 0000 at power-up.					
1	CS0						
0	SGL/DIF	1 = single-ended, 0 = differential (Tables 3 and 4). Defaults to 1 at power-up. See the <i>Single-Ended/Differential Input</i> section.					

X = Don't care.

Table 3. Channel Selection in Single-Ended Mode (SGL/DIF = 1)

CS0	AIN0	AIN1	GND
0	+		-
1		+	-

X = Don't care.

Table 4. Channel Selection in Differential Mode (SGL/DIF = 0)

CS0	AIN0	AIN1
0	+	-
1	-	+

X = Don't care.

Data Byte (Read Cycle)

A read cycle must be initiated to obtain conversion results. Read cycles begin with the bus master issuing a START condition followed by 7 address bits and a read bit (R/W = 1). If the address byte is successfully received, the MAX11646/MAX11647 (slave) issue an acknowledge. The master then reads from the slave. The result is transmitted in 2 bytes; first 6 bits of the first byte are high, then MSB through LSB are consecutively clocked out. After the master has received the byte(s), it can issue an acknowledge if it wants to continue reading or a not-acknowledge if it no longer wishes to read. If the MAX11646/MAX11647 receive a not-

acknowledge, they release SDA, allowing the master to generate a STOP or a repeated START condition. See the *Clock Modes* and *Scan Mode* sections for detailed information on how data is obtained and converted.

Clock Modes

The clock mode determines the conversion clock and the data acquisition and conversion time. The clock mode also affects the scan mode. The state of the setup byte's CLK bit determines the clock mode (Table 1). At power-up, the MAX11646/MAX11647 are defaulted to internal clock mode (CLK = 0).

Low-Power, 1-/2-Channel, I²C, 10-Bit ADCs in Ultra-Tiny 1.9mm x 2.2mm Package

Internal Clock

When configured for internal clock mode (CLK = 0), the MAX11646/MAX11647 use their internal oscillator as the conversion clock. In internal clock mode, the MAX11646/MAX11647 begin tracking the analog input after a valid address on the eighth rising edge of the clock. On the falling edge of the ninth clock, the analog signal is acquired and the conversion begins. While converting the analog input signal, the MAX11646/MAX11647 hold SCL low (clock stretching). After the conversion completes, the results are stored in internal memory. If the scan mode is set for multiple conversions, they all happen in succession with each additional result stored in memory. The MAX11646/MAX11647 contain two 10-bit blocks of memory. Once all conversions are complete, the MAX11646/MAX11647 release SCL, allowing it to be pulled high. The master can now clock the results out of the memory in the same

order the scan conversion has been done at a clock rate of up to 1.7MHz. SCL is stretched for a maximum of 7.6µs per channel (see Figure 10).

The device memory contains all of the conversion results when the MAX11646/MAX11647 release SCL. The converted results are read back in a first-in/first-out (FIFO) sequence. The memory contents can be read continuously. If reading continues past the result stored in memory, the pointer wraps around and point to the first result. Note that only the current conversion results are read from memory. The device must be addressed with a read command to obtain new conversion results.

The internal clock mode's clock stretching quiets the SCL bus signal, reducing the system noise during conversion. Using the internal clock also frees the bus master (typically a microcontroller) from the burden of running the conversion clock, allowing it to perform other tasks that do not need to use the bus.

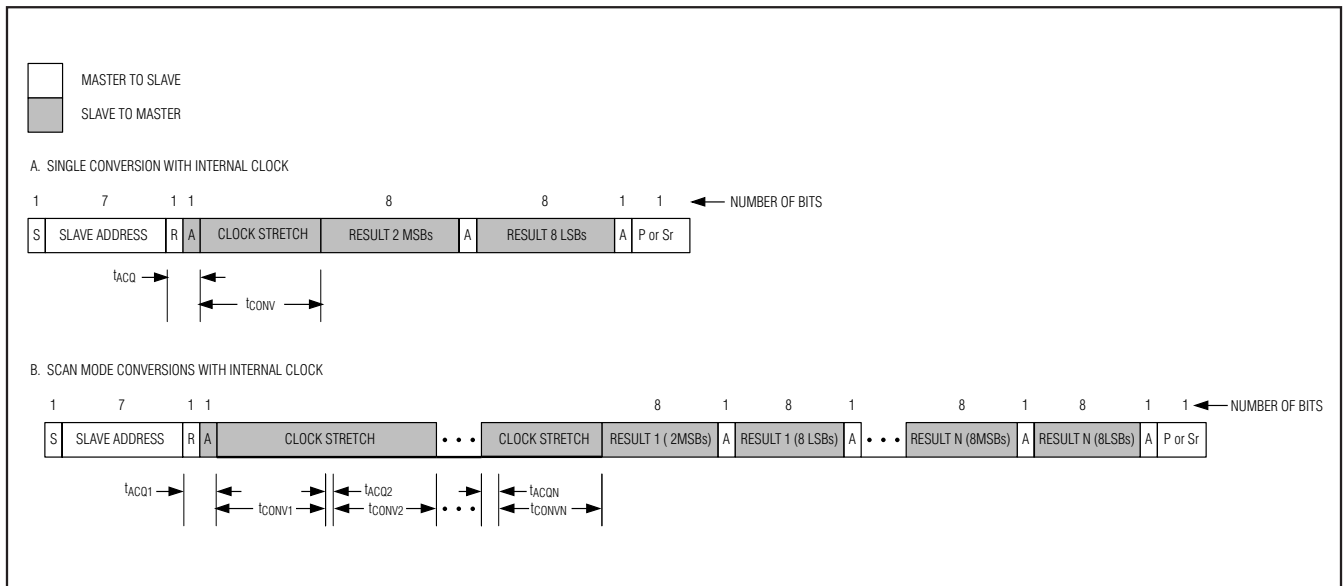


Figure 10. Internal Clock Mode Read Cycles

Low-Power, 1-/2-Channel, I²C, 10-Bit ADCs in Ultra-Tiny 1.9mm x 2.2mm Package

External Clock

When configured for external clock mode (CLK = 1), the MAX11646/MAX11647 use the SCL as the conversion clock. In external clock mode, the MAX11646/MAX11647 begin tracking the analog input on the ninth rising clock edge of a valid slave address byte. Two SCL clock cycles later the analog signal is acquired and the conversion begins. Unlike internal clock mode, converted data is available immediately after the first four empty high bits. The device continuously converts input channels dictated by the scan mode until given a not acknowledge. There is no need to re-address the device with a read command to obtain new conversion results (see Figure 11).

The conversion must complete in 1ms or droop on the track-and-hold capacitor degrades conversion results. Use internal clock mode if the SCL clock period exceeds 60μs.

The MAX11646/MAX11647 must operate in external clock mode for conversion rates from 40ksps to 94.4ksps. Below 40ksps internal clock mode is recommended due to much smaller power consumption.

Scan Mode

SCAN0 and SCAN1 of the configuration byte set the scan mode configuration. Table 5 shows the scanning configurations. The scanned results are written to memory in the same order as the conversion. Read the results from memory in the order they were converted. Each result needs a 2-byte transmission, the first byte begins with six empty bits during which SDA is left high. Each byte has to be acknowledged by the master or the memory transmission is terminated. It is not possible to read the memory independently of conversion.

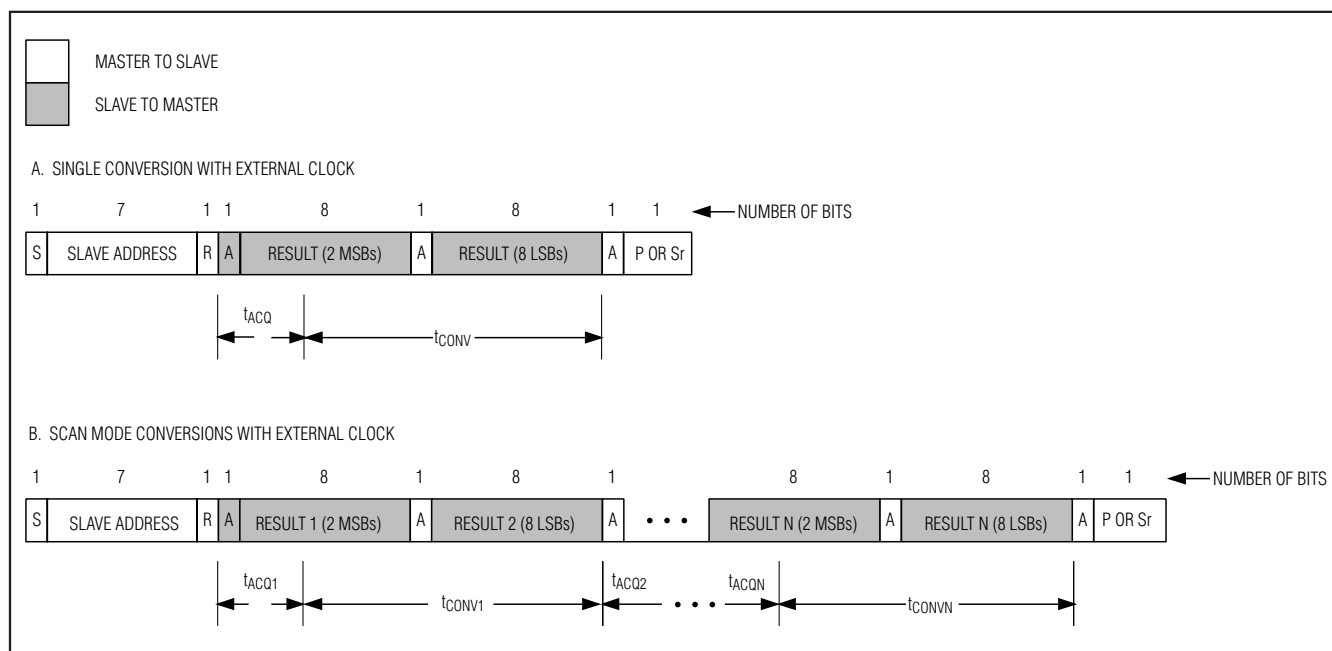


Figure 11. External Clock Mode Read Cycle

Table 5. Scanning Configuration

SCAN1	SCAN0	SCANNING CONFIGURATION
0	0	Scans up from AIN0 to the input selected by CS0.
0	1	Converts the input selected by CS0 eight times (see Tables 3 and 4).*
1	0	Reserved. Do not use.
1	1	Converts input selected by CS0.*

*When operating in external clock mode, there is no difference between SCAN[1:0] = 01 and SCAN[1:0] = 11, and converting occurs perpetually until not acknowledge occurs.

Low-Power, 1-/2-Channel, I²C, 10-Bit ADCs in Ultra-Tiny 1.9mm x 2.2mm Package

Applications Information

Power-On Reset

The configuration and setup registers (Tables 1 and 2) default to a single-ended, unipolar, single-channel conversion on AIN0 using the internal clock with V_{DD} as the reference. The memory contents are unknown after power-up.

Automatic Shutdown

Automatic shutdown occurs between conversions when the MAX11646/MAX11647 are idle. All analog circuits participate in automatic shutdown except the internal reference due to its prohibitively long wake-up time. When operating in external clock mode, a STOP, not-acknowledge, or repeated START condition must be issued to place the devices in idle mode and benefit from automatic shutdown. A STOP condition is not necessary in internal clock mode to benefit from automatic shutdown because power-down occurs once all conversion results are written to memory (Figure 10). When using an external reference or V_{DD} as a reference, all analog circuitry is inactive in shutdown and supply current is less than 0.5μA (typ). The digital conversion results obtained in internal clock mode are maintained in memory during shutdown and are available for access through the serial interface at any time prior to a STOP or a repeated START condition.

When idle, the MAX11646/MAX11647 continuously wait for a START condition followed by their slave address (see the *Slave Address* section). Upon reading a valid address byte the MAX11646/MAX11647 power up. The internal reference requires 10ms to wake up, so when using the internal reference it should be powered up 10ms prior to conversion or powered continuously. Wake-up is invisible when using an external reference or V_{DD} as the reference.

Automatic shutdown results in dramatic power savings, particularly at slow conversion rates and with internal clock. For example, at a conversion rate of 10ksps, the average supply current for the MAX11647 is 60μA (typ) and drops to 6μA (typ) at 1ksps. At 0.1ksps the average supply current is just 1μA, or a minuscule 3μW of power consumption (see Average Supply Current vs. Conversion Rate (External Clock) in the *Typical Operating Characteristics*).

Reference Voltage

SEL[2:0] of the setup byte (Table 1) control the reference and the REF configuration (Table 6).

Internal Reference

The internal reference is 4.096V for the MAX11646 and 2.048V for the MAX11647. When REF is configured to be an internal reference output (SEL[2:1] = 11), decouple REF to GND with a 0.1μF capacitor and a 2kΩ series resistor (see the *Typical Operating Circuit*). Once powered up, the reference always remains on until reconfigured. The internal reference requires 10ms to wake up and is accessed using SEL0 (Table 6). When in shutdown, the internal reference output is in a high-impedance state. The reference should not be used to supply current for external circuitry. The internal reference does not require an external bypass capacitor and works best when left unconnected (SEL1 = 0).

External Reference

The external reference can range from 1V to V_{DD}. For maximum conversion accuracy, the reference must be able to deliver up to 40μA and have an output impedance of 500Ω or less. If the reference has a higher output impedance or is noisy, bypass it to GND as close as possible to REF with a 0.1μF capacitor.

Table 6. Reference Voltage and REF Format

SEL2	SEL1	SEL0	REFERENCE VOLTAGE	REF	INTERNAL REFERENCE STATE
0	0	X	V _{DD}	Not connected	Always off
0	1	X	External reference	Reference input	Always off
1	0	0	Internal reference	Not connected*	Always off
1	0	1	Internal reference	Not connected*	Always on
1	1	0	Internal reference	Reference output	Always off
1	1	1	Internal reference	Reference output	Always on

X = Don't care.

*Preferred configuration for internal reference.

Low-Power, 1-/2-Channel, I²C, 10-Bit ADCs in Ultra-Tiny 1.9mm x 2.2mm Package

MAX11646/MAX11647

Transfer Functions

Output data coding for the MAX11646/MAX11647 is binary in unipolar mode and two's complement in bipolar mode with 1 LSB = (V_{REF}/2^N) where N is the number of bits (10). Code transitions occur halfway between successive-integer LSB values. Figures 12 and 13 show the input/output (I/O) transfer functions for unipolar and bipolar operations, respectively.

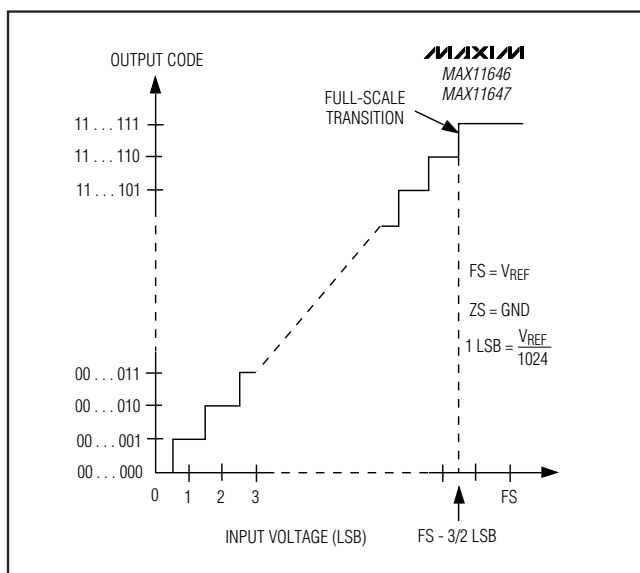


Figure 12. Unipolar Transfer Function

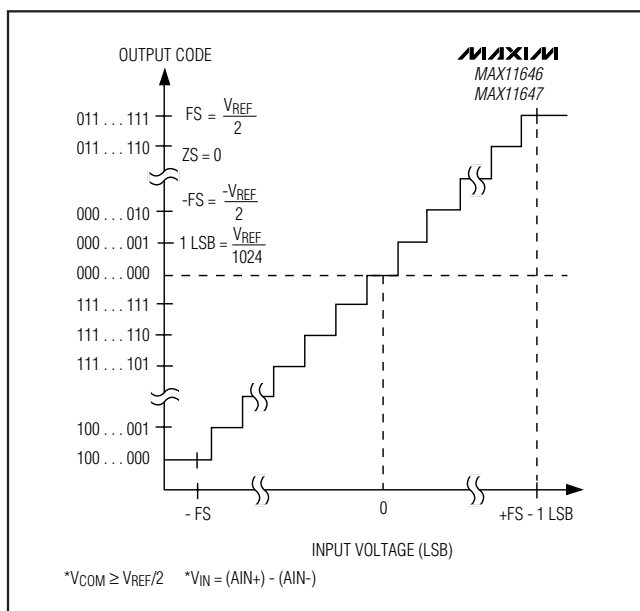


Figure 13. Bipolar Transfer Function

Layout, Grounding, and Bypassing

Only use PCBs. Wire-wrap configurations are not recommended since the layout should ensure proper separation of analog and digital traces. Do not run analog and digital lines parallel to each other, and do not lay out digital signal paths underneath the ADC package. Use separate analog and digital PCB ground sections with only one star point (Figure 14) connecting the two ground systems (analog and digital). For lowest noise operation, ensure the ground return to the star ground's power supply is low impedance and as short as possible. Route digital signals far away from sensitive analog and reference inputs.

High-frequency noise in the power supply (V_{DD}) could influence the proper operation of the ADC's fast comparator. Bypass V_{DD} to the star ground with a network of two parallel capacitors, 0.1μF and 4.7μF, located as close as possible to the MAX11646/MAX11647 power-supply pin. Minimize capacitor lead length for best supply noise rejection, and add an attenuation resistor (5Ω) in series with the power supply if it is extremely noisy.

Definitions

Integral Nonlinearity

Integral nonlinearity (INL) is the deviation of the values on an actual transfer function from a straight line. This straight line can be either a best straight-line fit or a line drawn between the end points of the transfer function, once offset and gain errors have been nullified. The MAX11646/MAX11647's INL is measured using the endpoint.

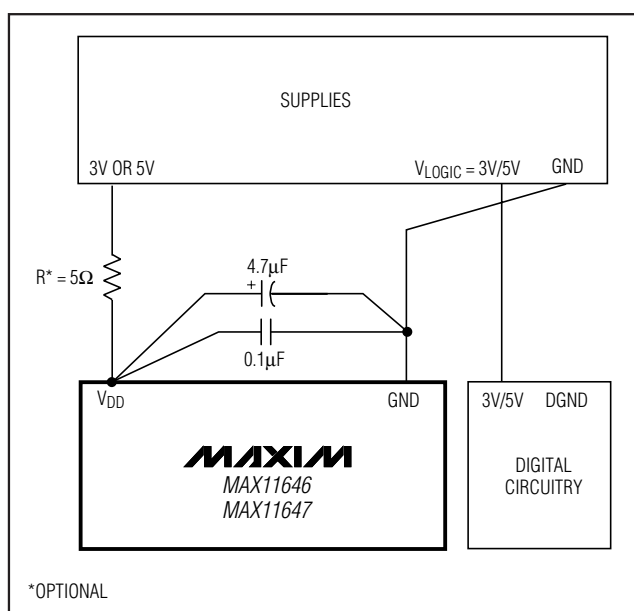


Figure 14. Power-Supply Grounding Connection

Low-Power, 1-/2-Channel, I²C, 10-Bit ADCs in Ultra-Tiny 1.9mm x 2.2mm Package

Differential Nonlinearity

Differential nonlinearity (DNL) is the difference between an actual step width and the ideal value of 1 LSB. A DNL error specification of less than 1 LSB guarantees no missing codes and a monotonic transfer function.

Aperture Jitter

Aperture jitter (t_{AJ}) is the sample-to-sample variation in the time between the samples.

Aperture Delay

Aperture delay (t_{AD}) is the time between the falling edge of the sampling clock and the instant when an actual sample is taken.

Signal-to-Noise Ratio

For a waveform perfectly reconstructed from digital samples, the theoretical maximum SNR is the ratio of the full-scale analog input (RMS value) to the RMS quantization error (residual error). The ideal, theoretical minimum analog-to-digital noise is caused by quantization error only and results directly from the ADC's resolution (N Bits):

$$\text{SNR}_{\text{MAX}}[\text{dB}] = 6.02\text{dB} \times N + 1.76\text{dB}$$

In reality, there are other noise sources besides quantization noise: thermal noise, reference noise, clock jitter, etc. SNR is computed by taking the ratio of the RMS signal to the RMS noise, which includes all spectral components minus the fundamental, the first five harmonics, and the DC offset.

Signal-to-Noise Plus Distortion

Signal-to-noise plus distortion (SINAD) is the ratio of the fundamental input frequency's RMS amplitude to RMS equivalent of all other ADC output signals.

$$\text{SINAD (dB)} = 20 \times \log (\text{SignalRMS}/\text{NoiseRMS})$$

Effective Number of Bits

Effective number of bits (ENOB) indicates the global accuracy of an ADC at a specific input frequency and sampling rate. An ideal ADC's error consists of quantization noise only. With an input range equal to the ADC's full-scale range, calculate the ENOB as follows:

$$\text{SINAD}(\text{dB}) = 20 \times \log \left[\frac{\text{SignalRMS}}{\text{NoiseRMS} + \text{THDRMS}} \right]$$

$$\text{ENOB} = (\text{SINAD} - 1.76)/6.02$$

Total Harmonic Distortion

Total harmonic distortion (THD) is the ratio of the RMS sum of the input signal's first five harmonics to the fundamental itself. This is expressed as:

$$\text{THD} = 20 \times \log \left(\sqrt{\frac{V_2^2 + V_3^2 + V_4^2 + V_5^2}{V_1^2}} \right)$$

where V_1 is the fundamental amplitude, and V_2 through V_5 are the amplitudes of the 2nd through 5th order harmonics.

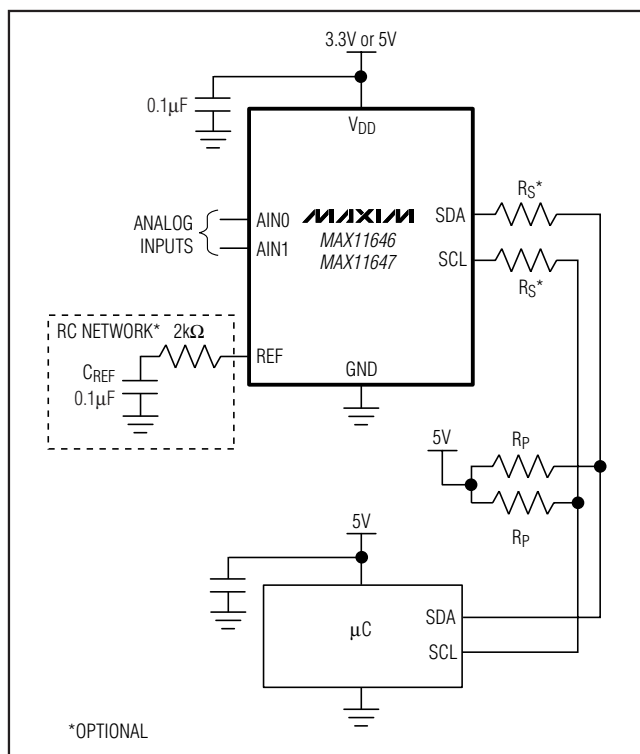
Spurious-Free Dynamic Range

Spurious-free dynamic range (SFDR) is the ratio of RMS amplitude of the fundamental (maximum signal component) to the RMS value of the next largest distortion component.

Low-Power, 1-/2-Channel, I²C, 10-Bit ADCs in Ultra-Tiny 1.9mm x 2.2mm Package

MAX11646/MAX11647

Typical Operating Circuit



Selector Guide

PART	INPUT CHANNELS	INTERNAL REFERENCE (V)	SUPPLY VOLTAGE (V)	INL (LSB)
MAX11646	2 Single-Ended/1 Differential	4.096	4.5 to 5.5	±1
MAX11647	2 Single-Ended/1 Differential	2.048	2.7 to 3.6	±1

Chip Information

PROCESS: BiCMOS

Package Information

For the latest package outline information and land patterns, go to www.maxim-ic.com/packages. Note that a "+", "#", or "-" in the package code indicates RoHS status only. Package drawings may show a different suffix character, but the drawing pertains to the package regardless of RoHS status.

PACKAGE TYPE	PACKAGE CODE	OUTLINE NO.	LAND PATTERN NO.
8 µMAX	U8CN+1	21-0036	90-0092
12 WLP	W121C2+1	21-0009	Refer to Application Note 1891

Low-Power, 1-/2-Channel, I²C, 10-Bit ADCs in Ultra-Tiny 1.9mm x 2.2mm Package

Revision History

REVISION NUMBER	REVISION DATE	DESCRIPTION	PAGES CHANGED
0	1/10	Initial release	—
1	9/10	Added the WLP package to the <i>Ordering Information</i> , <i>Absolute Maximum Ratings</i> , <i>Pin Configuration</i> , <i>Pin Description</i> , and <i>Package Information</i> sections	1, 2, 8, 20

Maxim cannot assume responsibility for use of any circuitry other than circuitry entirely embodied in a Maxim product. No circuit patent licenses are implied. Maxim reserves the right to change the circuitry and specifications without notice at any time.

22 **Maxim Integrated Products, 120 San Gabriel Drive, Sunnyvale, CA 94086 408-737-7600**