

## 阅读申明

- 1.本站收集的数据手册和产品资料都来自互联网，版权归原作者所有。如读者和版权方有任何异议请及时告之，我们将妥善解决。
- 2.本站提供的中文数据手册是英文数据手册的中文翻译，其目的是协助用户阅读，该译文无法自动跟随原稿更新，同时也可能存在翻译上的不当。建议读者以英文原稿为参考以便获得更精准的信息。
- 3.本站提供的产品资料，来自厂商的技术支持或者使用者的心得体会等，其内容可能存在描述上的差异，建议读者做出适当判断。
- 4.如需与我们联系，请发邮件到marketing@iczoom.com，主题请标有“数据手册”字样。

## Read Statement

1. The datasheets and other product information on the site are all from network reference or other public materials, and the copyright belongs to the original author and original published source. If readers and copyright owners have any objections, please contact us and we will deal with it in a timely manner.
2. The Chinese datasheets provided on the website is a Chinese translation of the English datasheets. Its purpose is for reader's learning exchange only and do not involve commercial purposes. The translation cannot be automatically updated with the original manuscript, and there may also be improper translations. Readers are advised to use the English manuscript as a reference for more accurate information.
3. All product information provided on the website refer to solutions from manufacturers' technical support or users the contents may have differences in description, and readers are advised to take the original article as the standard.
4. If you have any questions, please contact us at marketing@iczoom.com and mark the subject with "Datasheets" .

# High Performance 12-Bit, 250/210/170/125MSPS ADC

## KAD5512HP

The KAD5512HP is the high performance member of the KAD5512 family of 12-bit analog-to-digital converters. Designed with Intersil's proprietary FemtoCharge™ technology on a standard CMOS process, the family supports sampling rates of up to 250MSPS. The KAD5512HP is part of a pin-compatible portfolio of 10, 12 and 14-bit A/Ds with sample rates ranging from 125MSPS to 500MSPS.

A Serial Peripheral Interface (SPI) port allows for extensive configurability, as well as fine control of various parameters such as gain and offset.

Digital output data is presented in selectable LVDS or CMOS formats. The KAD5512HP is available in 72 and 48 Ld QFN packages with an exposed paddle. Operating from a 1.8V supply, performance is specified across the full industrial temperature range (-40°C to +85°C).

## Key Specifications

- SNR = 68.2dBFS for  $f_{IN} = 105\text{MHz}$  (-1dBFS)
- SFDR = 81.1dBc for  $f_{IN} = 105\text{MHz}$  (-1dBFS)
- Power Consumption
  - 429/345mW at 250/125MSPS (SDR Mode)
  - 390/309mW at 250/125MSPS (DDR Mode)

## Features

- Pin-compatible with the KAD5512P Family, offering 2.2dB higher SNR
- Programmable gain, offset and skew control
- 950MHz analog input bandwidth
- 60fs Clock jitter
- Over-range indicator
- Selectable clock divider:  $\div 1$ ,  $\div 2$  or  $\div 4$
- Clock phase selection
- Nap and sleep modes
- Two's complement, gray code or binary data format
- DDR LVDS-compatible or LVCMOS outputs
- Programmable built-in test patterns
- Single-supply 1.8V operation
- Pb-free (RoHS compliant)

## Applications

- Power Amplifier linearization
- Radar and satellite antenna array processing
- Broadband communications
- High-performance data acquisition
- Communications test equipment
- WiMAX and microwave receivers

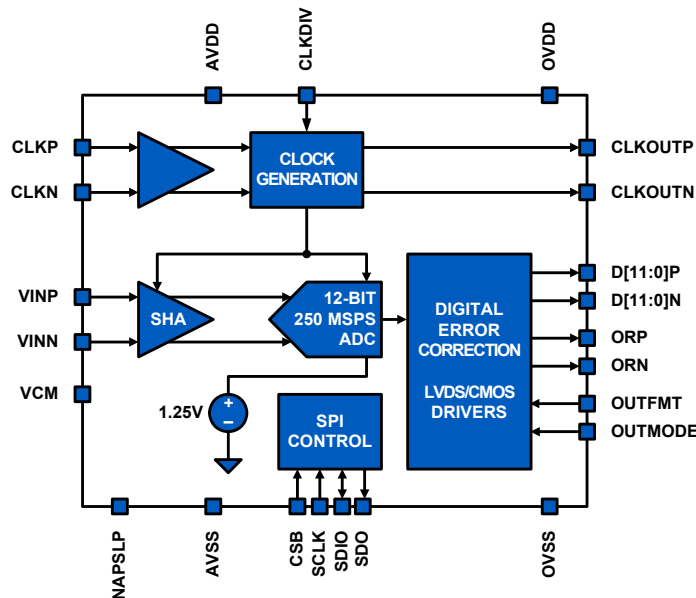


FIGURE 1. BLOCK DIAGRAM

## Table of Contents

<b>Ordering Information</b> .....	<b>3</b>
<b>Absolute Maximum Ratings</b> .....	<b>4</b>
<b>Thermal Information</b> .....	<b>4</b>
<b>Operating Conditions</b> .....	<b>4</b>
<b>Electrical Specifications</b> .....	<b>4</b>
<b>Digital Specifications</b> .....	<b>6</b>
<b>Timing Diagrams</b> .....	<b>7</b>
<b>Switching Specifications</b> .....	<b>8</b>
<b>Pin Descriptions - 72 Ld QFN</b> .....	<b>9</b>
<b>Pin Configuration - 72 Ld QFN</b> .....	<b>11</b>
<b>Pin Descriptions - 48 Ld QFN</b> .....	<b>12</b>
<b>Pin Configuration - 48 Ld QFN</b> .....	<b>13</b>
<b>Typical Performance Curves</b> .....	<b>14</b>
<b>Theory of Operation</b> .....	<b>17</b>
Functional Description .....	17
Power-On Calibration .....	17
User-Initiated Reset .....	18
Analog Input .....	18
Clock Input .....	19
Jitter .....	20
Voltage Reference .....	20
Digital Outputs .....	20
Over-Range Indicator .....	20
Power Dissipation .....	20
Nap/Sleep .....	20
Data Format .....	21
<b>Serial Peripheral Interface</b> .....	<b>22</b>
SPI Physical Interface .....	23
SPI Configuration .....	24
Device Information .....	24
Indexed Device Configuration/Control .....	24
Global Device Configuration/Control .....	25
Device Test .....	26
SPI Memory Map .....	27
<b>Equivalent Circuits</b> .....	<b>28</b>
<b>72 Ld/48 Ld Package Options</b> .....	<b>29</b>
<b>ADC Evaluation Platform</b> .....	<b>30</b>
<b>Layout Considerations</b> .....	<b>30</b>
Split Ground and Power Planes .....	30
Clock Input Considerations .....	30
Exposed Paddle .....	30
Bypass and Filtering .....	30
LVDS Outputs .....	30
LVCMOS Outputs .....	30
Unused Inputs .....	30
<b>Definitions</b> .....	<b>30</b>
<b>Revision History</b> .....	<b>31</b>
<b>About Intersil</b> .....	<b>32</b>
<b>Package Outline Drawing</b> .....	<b>33</b>
L48.7x7E .....	33
L72.10x10D .....	34

# KAD5512HP

## Ordering Information

PART NUMBER (Note 3)	PART MARKING	SPEED (MSPS)	TEMP. RANGE (°C)	PACKAGE (RoHS Compliant)	PKG. DWG. #
KAD5512HP-25Q72 (Note 1)	KAD5512HP-25 Q72EP-I	250	-40 to +85	72 Ld QFN	L72.10x10D
KAD5512HP-21Q72 (Note 1)	KAD5512HP-21 Q72EP-I	210	-40 to +85	72 Ld QFN	L72.10x10D
KAD5512HP-17Q72 (Note 1)	KAD5512HP-17 Q72EP-I	170	-40 to +85	72 Ld QFN	L72.10x10D
KAD5512HP-12Q72 (Note 1)	KAD5512HP-12 Q72EP-I	125	-40 to +85	72 Ld QFN	L72.10x10D
KAD5512HP-25Q48 (Note 2)	KAD5512HP-25 Q48EP-I	250	-40 to +85	48 Ld QFN	L48.7x7E
KAD5512HP-21Q48 (Note 2)	KAD5512HP-21 Q48EP-I	210	-40 to +85	48 Ld QFN	L48.7x7E
KAD5512HP-17Q48 (Note 2)	KAD5512HP-17 Q48EP-I	170	-40 to +85	48 Ld QFN	L48.7x7E
KAD5512HP-12Q48 (Note 2)	KAD5512HP-12 Q48EP-I	125	-40 to +85	48 Ld QFN	L48.7x7E

### NOTES:

- These Intersil Pb-free plastic packaged products employ special Pb-free material sets; molding compounds/die attach materials and NiPdAu plate - e4 termination finish, which is RoHS compliant and compatible with both SnPb and Pb-free soldering operations. Intersil Pb-free products are MSL classified at Pb-free peak reflow temperatures that meet or exceed the Pb-free requirements of IPC/JEDEC J STD-020.
- These Intersil Pb-free plastic packaged products employ special Pb-free material sets, molding compounds/die attach materials, and 100% matte tin plate plus anneal (e3 termination finish, which is RoHS compliant and compatible with both SnPb and Pb-free soldering operations). Intersil Pb-free products are MSL classified at Pb-free peak reflow temperatures that meet or exceed the Pb-free requirements of IPC/JEDEC J STD-020.
- For Moisture Sensitivity Level (MSL), please see product information page for [KAD5512HP-12](#), [KAD5512HP-17](#), [KAD5512HP-21](#), [KAD5512HP-25](#). For more information on MSL, please see tech brief [TB363](#).

**TABLE 1. PIN-COMPATIBLE FAMILY**

MODEL	RESOLUTION	SPEED (MSPS)
KAD5514P-25	14	250
KAD5514P-21	14	210
KAD5514P-17	14	170
KAD5514P-12	14	125
KAD5512P-50	12	500
KAD5512P-25, KAD5512HP-25	12	250
KAD5512P-21, KAD5512HP-21	12	210
KAD5512P-17, KAD5512HP-17	12	170
KAD5512P-12, KAD5512HP-12	12	125
KAD5510P-50	10	500

# KAD5512HP

## Absolute Maximum Ratings

AVDD to AVSS	-0.4V to 2.1V
OVDD to OVSS	-0.4V to 2.1V
AVSS to OVSS	-0.3V to 0.3V
Analog Inputs to AVSS	-0.4V to AVDD + 0.3V
Clock Inputs to AVSS	-0.4V to AVDD + 0.3V
Logic Inputs to AVSS	-0.4V to OVDD + 0.3V
Logic Inputs to OVSS	-0.4V to OVDD + 0.3V

## Thermal Information

Thermal Resistance (Typical)	$\theta_{JA}$ (°C/W)	$\theta_{JC}$ (°C/W)
48 Ld QFN (Note 4)	25	
72 Ld QFN (Notes 4, 5)	24	0.8
Storage Temperature	-65°C to +150°C	
Junction Temperature	+150°C	
Pb-Free Reflow Profile	see <a href="#">TB493</a>	

## Operating Conditions

Temperature Range	-40°C to +85°C
-------------------	----------------

**CAUTION:** Do not operate at or near the maximum ratings listed for extended periods of time. Exposure to such conditions may adversely impact product reliability and result in failures not covered by warranty.

### NOTE:

- $\theta_{JA}$  is measured with the component mounted on a high effective thermal conductivity test board in free air. See Tech Brief [TB379](#) for details.
- For  $\theta_{JC}$ , the “case temp” location is the center of the exposed metal pad on the package underside.

**Electrical Specifications** All specifications apply under the following conditions unless otherwise noted: AVDD = 1.8V, OVDD = 1.8V,  $T_A$  = -40°C to +85°C (typical specifications at +25°C),  $A_{IN}$  = -1dBFS,  $f_{SAMPLE}$  = maximum conversion rate (per speed grade).

PARAMETER	SYMBOL	TEST CONDITIONS	KAD5512HP-25 (Note 6)			KAD5512HP-21 (Note 6)			KAD5512HP-17 (Note 6)			KAD5512HP-12 (Note 6)			UNIT
			MIN	TYP	MAX	MIN	TYP	MAX	MIN	TYP	MAX	MIN	TYP	MAX	
<b>DC SPECIFICATIONS</b>															
<b>Analog Input</b>															
Full-Scale Analog Input Range	$V_{FS}$	Differential	1.40	1.47	1.54	1.40	1.47	1.54	1.40	1.47	1.54	1.40	1.47	1.54	$V_{p-p}$
Input Resistance	$R_{IN}$	Differential		500			500			500			500		$\Omega$
Input Capacitance	$C_{IN}$	Differential		2.6			2.6			2.6			2.6		pF
Full-Scale Range Temperature Drift	$A_{VTC}$	Full Temperature		90			90			90			90		ppm/°C
Input Offset Voltage	$V_{OS}$		-10	±2	10	-10	±2	10	-10	±2	10	-10	±2	10	mV
Gain Error	$E_G$			±2			±2			±2			±2		%
Common-Mode Output Voltage	$V_{CM}$			0.535			0.535			0.535			0.535		V
<b>Clock Inputs</b>															
Inputs Common-Mode Voltage				0.9			0.9			0.9			0.9		V
CLKP, CLKN Input Swing				1.8			1.8			1.8			1.8		V
<b>Power Requirements</b>															
1.8V Analog Supply Voltage	AVDD		1.7	1.8	1.9	1.7	1.8	1.9	1.7	1.8	1.9	1.7	1.8	1.9	V
1.8V Digital Supply Voltage	OVDD		1.7	1.8	1.9	1.7	1.8	1.9	1.7	1.8	1.9	1.7	1.8	1.9	V
1.8V Analog Supply Current	$I_{AVDD}$			170	190		157	176		145	163		129	147	mA
1.8V Digital Supply Current (SDR) (Note 7)	$I_{OVDD}$	3mA LVDS		68	76		66	74		64	72		62	70	mA

# KAD5512HP

**Electrical Specifications** All specifications apply under the following conditions unless otherwise noted: AVDD = 1.8V, OVDD = 1.8V, T<sub>A</sub> = -40 °C to +85 °C (typical specifications at +25 °C), A<sub>IN</sub> = -1dBFS, f<sub>SAMPLE</sub> = maximum conversion rate (per speed grade). (Continued)

PARAMETER	SYMBOL	TEST CONDITIONS	KAD5512HP-25 (Note 6)			KAD5512HP-21 (Note 6)			KAD5512HP-17 (Note 6)			KAD5512HP-12 (Note 6)			UNIT
			MIN	TYP	MAX	MIN	TYP	MAX	MIN	TYP	MAX	MIN	TYP	MAX	
1.8V Digital Supply Current (DDR) (Note 7)	I <sub>OVDD</sub>	3mA LVDS		46			44			43			42		mA
Power Supply Rejection Ratio	PSRR	30MHz, 200mV <sub>P-P</sub> signal on AVDD		-36			-36			-36			-36		dB
<b>Total Power Dissipation</b>															
Normal Mode (SDR)	P <sub>D</sub>	3mA LVDS		429	463		402	433		378	406		345	376	mW
Normal Mode (DDR)	P <sub>D</sub>	3mA LVDS		390			363			339			309		mW
Nap Mode	P <sub>D</sub>			148	170.2		142	164.2		136	158.2		129	150.2	mW
Sleep Mode	P <sub>D</sub>	CSB at logic high		2	6		2	6		2	6		2	6	mW
Nap Mode Wake-up Time (Note 8)		Sample clock running		1			1			1			1		μs
Sleep Mode Wake-up Time (Note 8)		Sample clock running		1			1			1			1		ms
<b>AC SPECIFICATIONS</b>															
Differential Nonlinearity	DNL		-0.75	±0.2	0.75	-0.75	±0.2	0.75	-0.75	±0.2	0.75	-0.75	±0.2	0.75	LSB
Integral Nonlinearity	INL		-2.0	±0.6	2.0	-2.0	±1.1	2.0	-2.0	±1.1	2.0	-2.5	±1.4	2.5	LSB
Minimum Conversion Rate (Note 9)	f <sub>S</sub> MIN				40			40			40			40	MSPS
Maximum Conversion Rate	f <sub>S</sub> MAX		250			210			170			125			MSPS
Signal-to-Noise Ratio	SNR	f <sub>IN</sub> = 10MHz		68.3			68.8			69.1			69.3		dBFS
		f <sub>IN</sub> = 105MHz	65.9	68.2		66.4	68.7		67.1	68.9		67.1	69.1		dBFS
		f <sub>IN</sub> = 190MHz		67.8			68.3			68.6			68.7		dBFS
		f <sub>IN</sub> = 364MHz		66.8			67.3			67.8			67.7		dBFS
		f <sub>IN</sub> = 695MHz		64.4			64.9			65.7			65.2		dBFS
		f <sub>IN</sub> = 995MHz		62.4			62.9			63.8			63.1		dBFS
Signal-to-Noise and Distortion	SINAD	f <sub>IN</sub> = 10MHz		68.2			68.7			69.0			69.2		dBFS
		f <sub>IN</sub> = 105MHz	65.6	68.0		66.1	68.7		66.6	68.7		66.6	68.9		dBFS
		f <sub>IN</sub> = 190MHz		67.5			68.0			68.2			68.4		dBFS
		f <sub>IN</sub> = 364MHz		66.0			66.4			66.7			66.8		dBFS
		f <sub>IN</sub> = 695MHz		59.1			59.1			60.0			59.8		dBFS
		f <sub>IN</sub> = 995MHz		48.6			48.2			49.2			50.5		dBFS
Effective Number of Bits	ENOB	f <sub>IN</sub> = 10MHz		11.0			11.1			11.2			11.2		Bits
		f <sub>IN</sub> = 105MHz	10.6	11.0		10.7	11.1		10.8	11.1		10.8	11.1		Bits
		f <sub>IN</sub> = 190MHz		10.9			11.0			11.0			11.1		Bits
		f <sub>IN</sub> = 364MHz		10.7			10.7			10.8			10.8		Bits
		f <sub>IN</sub> = 695MHz		9.5			9.5			9.7			9.6		Bits
		f <sub>IN</sub> = 995MHz		7.8			7.7			7.9			8.1		Bits

# KAD5512HP

**Electrical Specifications** All specifications apply under the following conditions unless otherwise noted: AVDD = 1.8V, OVDD = 1.8V, T<sub>A</sub> = -40 °C to +85 °C (typical specifications at +25 °C), A<sub>IN</sub> = -1dBFS, f<sub>SAMPLE</sub> = maximum conversion rate (per speed grade). (Continued)

PARAMETER	SYMBOL	TEST CONDITIONS	KAD5512HP-25 (Note 6)			KAD5512HP-21 (Note 6)			KAD5512HP-17 (Note 6)			KAD5512HP-12 (Note 6)			UNIT
			MIN	TYP	MAX	MIN	TYP	MAX	MIN	TYP	MAX	MIN	TYP	MAX	
Spurious-Free Dynamic Range	SFDR	f <sub>IN</sub> = 10MHz		86.4			87.2			87.3			84.9		dBc
		f <sub>IN</sub> = 105MHz	70	81.1		70	85.5		70	82.0		70	81.7		dBc
		f <sub>IN</sub> = 190MHz		79.6			80.0			79.2			80.3		dBc
		f <sub>IN</sub> = 364MHz		75.0			75.6			75.1			75.5		dBc
		f <sub>IN</sub> = 695MHz		60.8			60.0			61.3			61.6		dBc
		f <sub>IN</sub> = 995MHz		48.3			47.9			48.7			50.2		dBc
Intermodulation Distortion	IMD	f <sub>IN</sub> = 70MHz		-89.0			-92.2			-94.6			-94.8		dBFS
		f <sub>IN</sub> = 170MHz		-91.4			-86.9			-91.7			-85.7		dBFS
Word Error Rate	WER			10 <sup>-12</sup>			10 <sup>-12</sup>			10 <sup>-12</sup>			10 <sup>-12</sup>		
Full Power Bandwidth	FPBW			950			950			950			950		MHz

**NOTES:**

- Parameters with MIN and/or MAX limits are 100% production tested at their worst case temperature extreme (+85 °C).
- Digital Supply Current is dependent upon the capacitive loading of the digital outputs. I<sub>OVDD</sub> specifications apply for 10pF load on each digital output.
- See ["Nap/Sleep" on page 20](#) for more detail.
- The DLL Range setting must be changed for low speed operation. See [Table 15 on page 26](#).

## Digital Specifications

PARAMETER	SYMBOL	TEST CONDITIONS	MIN	TYP	MAX	UNIT
<b>INPUTS</b>						
Input Current High (SDIO, RESETN)	I <sub>IH</sub>	V <sub>IN</sub> = 1.8V	0	1	10	μA
Input Current Low (SDIO, RESETN)	I <sub>IL</sub>	V <sub>IN</sub> = 0V	-25	-12	-5	μA
Input Voltage High (SDIO, RESETN)	V <sub>IH</sub>		1.17			V
Input Voltage Low (SDIO, RESETN)	V <sub>IL</sub>				.63	V
Input Current High (OUTMODE, NAPSLP, CLKDIV, OUTFMT) (Note 10)	I <sub>IH</sub>		15	25	40	μA
Input Current Low (OUTMODE, NAPSLP, CLKDIV, OUTFMT)	I <sub>IL</sub>		-40	25	-15	μA
Input Capacitance	C <sub>DI</sub>			3		pF
<b>LVDS OUTPUTS</b>						
Differential Output Voltage	V <sub>T</sub>	3mA Mode		620		mV <sub>P-P</sub>
Output Offset Voltage	V <sub>OS</sub>	3mA Mode	950	965	980	mV
Output Rise Time	t <sub>R</sub>			500		ps
Output Fall Time	t <sub>F</sub>			500		ps
<b>CMOS OUTPUTS</b>						
Voltage Output High	V <sub>OH</sub>	I <sub>OH</sub> = -500μA	OVDD - 0.3	OVDD - 0.1		V
Voltage Output Low	V <sub>OL</sub>	I <sub>OL</sub> = 1mA		0.1	0.3	V
Output Rise Time	t <sub>R</sub>			1.8		ns
Output Fall Time	t <sub>F</sub>			1.4		ns

# Timing Diagrams

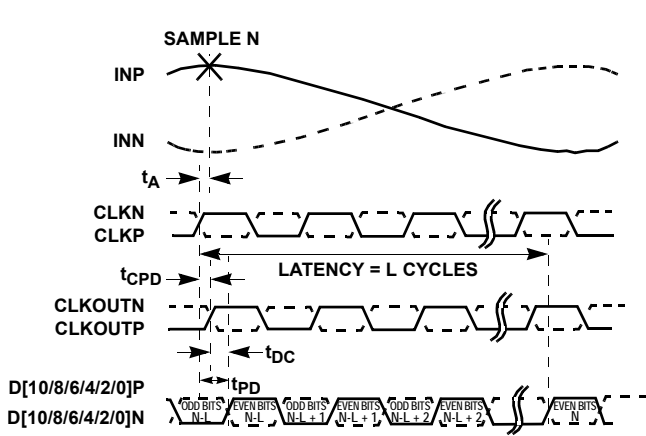


FIGURE 2A. DDR

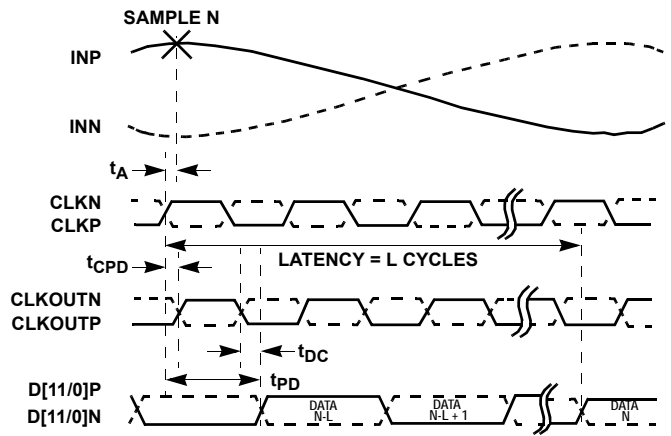


FIGURE 2B. SDR

FIGURE 2. LVDS TIMING DIAGRAMS (See [“Digital Outputs” on page 20](#))

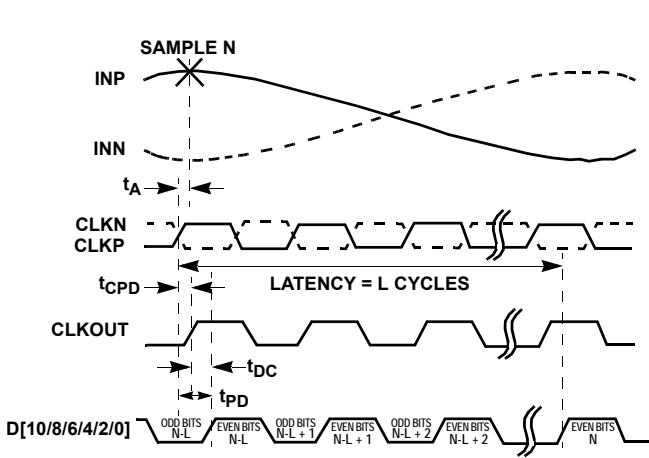


FIGURE 3A. DDR

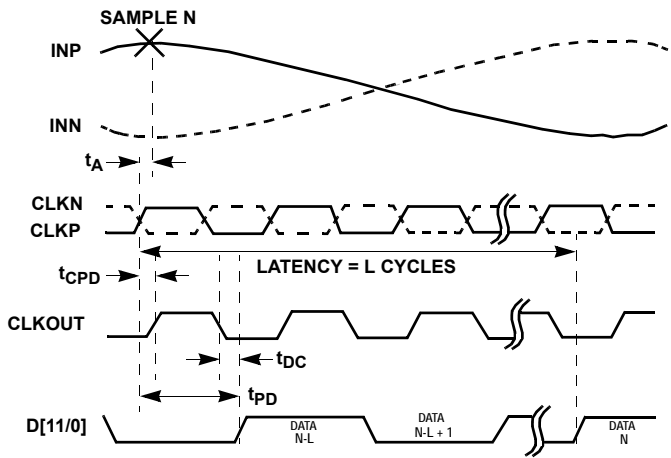


FIGURE 3B. SDR

FIGURE 3. CMOS TIMING DIAGRAM (See [“Digital Outputs” on page 20](#))



## Switching Specifications

PARAMETER	TEST CONDITIONS	SYMBOL	MIN	TYP	MAX	UNIT
<b>ADC OUTPUT</b>						
Aperture Delay		$t_A$		375		ps
RMS Aperture Jitter		$j_A$		60		fs
Output Clock to Data Propagation Delay, LVDS Mode ( <a href="#">Note 11</a> )	DDR Rising Edge	$t_{DC}$	-260	-50	120	ps
	DDR Falling Edge	$t_{DC}$	-160	10	230	ps
	SDR Falling Edge	$t_{DC}$	-260	-40	230	ps
Output Clock to Data Propagation Delay, CMOS Mode ( <a href="#">Note 11</a> )	DDR Rising Edge	$t_{DC}$	-220	-10	200	ps
	DDR Falling Edge	$t_{DC}$	-310	-90	110	ps
	SDR Falling Edge	$t_{DC}$	-310	-50	200	ps
Latency (Pipeline Delay)		L		8.5		cycles
Overvoltage Recovery		$t_{OVR}$		1		cycles
<b>SPI INTERFACE (<a href="#">Notes 12, 13</a>)</b>						
SCLK Period	Write Operation	$t_{CLK}$	16			cycles ( <a href="#">Note 12</a> )
	Read Operation	$t_{CLK}$	66			cycles
SCLK Duty Cycle ( $t_{HI}/t_{CLK}$ or $t_{LO}/t_{CLK}$ )	Read or Write		25	50	75	%
CSB $\downarrow$ to SCLK $\uparrow$ Set-Up Time	Read or Write	$t_S$	1			cycles
CSB $\uparrow$ after SCLK $\uparrow$ Hold Time	Read or Write	$t_H$	3			cycles
Data Valid to SCLK $\uparrow$ Set-Up Time	Write	$t_{DSW}$	1			cycles
Data Valid after SCLK $\uparrow$ Hold Time	Write	$t_{DHW}$	3			cycles
Data Valid after SCLK $\downarrow$ Time	Read	$t_{DVR}$			16.5	cycles
Data Invalid after SCLK $\uparrow$ Time	Read	$t_{DHR}$	3			cycles
Sleep Mode CSB $\downarrow$ to SCLK $\uparrow$ Set-Up Time ( <a href="#">Note 14</a> )	Read or Write in Sleep Mode	$t_S$	150			$\mu$ s

**NOTES:**

10. The Tri-Level Inputs internal switching thresholds are approximately 0.43V and 1.34V. It is advised to float the inputs, tie to ground or AVDD depending on desired function.
11. The input clock to output clock delay is a function of sample rate, using the output clock to latch the data simplifies data capture for most applications. Contact factory for more info if needed.
12. SPI Interface timing is directly proportional to the ADC sample period ( $t_S$ ). Values above reflect multiples of a 4ns sample period and must be scaled proportionally for lower sample rates.
13. The SPI may operate asynchronously with respect to the ADC sample clock.
14. The CSB set-up time increases in sleep mode due to the reduced power state, CSB set-up time in Nap mode is equal to normal mode CSB set-up time (4ns min).

# KAD5512HP

## Pin Descriptions - 72 Ld QFN

PIN NUMBER	LVDS [LVCMOS] NAME	LVDS [LVCMOS] FUNCTION SDR MODE	DDR MODE COMMENTS
1, 6, 12, 19, 24, 71	AVDD	1.8V Analog Supply	
2-5, 13, 14, 17, 18, 28-31	DNC	Do Not Connect	
7, 8, 11, 72	AVSS	Analog Ground	
9, 10	VINN, VINP	Analog Input Negative, Positive	
15	VCM	Common-Mode Output	
16	CLKDIV	Clock Divider Control	
20, 21	CLKP, CLKN	Clock Input True, Complement	
22	OUTMODE	Output Mode (LVDS, LVCMOS)	
23	NAPSLP	Power Control (Nap, Sleep modes)	
25	RESETN	Power On Reset (Active Low, see <a href="#">"User-Initiated Reset" on page 18</a> )	
26, 45, 55, 65	OVSS	Output Ground	
27, 36, 56	OVDD	1.8V Output Supply	
32	D0N [NC]	LVDS Bit 0 (LSB) Output Complement [NC in LVCMOS]	DDR Logical Bits 1, 0 (LVDS)
33	D0P [D0]	LVDS Bit 0 (LSB) Output True [LVCMOS Bit 0]	DDR Logical Bits 1, 0 (LVDS or CMOS)
34	D1N [NC]	LVDS Bit 1 Output Complement [NC in LVCMOS]	NC in DDR
35	D1P [D1]	LVDS Bit 1 Output True [LVCMOS Bit 1]	NC in DDR
37	D2N [NC]	LVDS Bit 2 Output Complement [NC in LVCMOS]	DDR Logical Bits 3, 2 (LVDS)
38	D2P [D2]	LVDS Bit 2 Output True [LVCMOS Bit 2]	DDR Logical Bits 3, 2 (LVDS or CMOS)
39	D3N [NC]	LVDS Bit 3 Output Complement [NC in LVCMOS]	NC in DDR
40	D3P [D3]	LVDS Bit 3 Output True [LVCMOS Bit 3]	NC in DDR
41	D4N [NC]	LVDS Bit 4 Output Complement [NC in LVCMOS]	DDR Logical Bits 5, 4 (LVDS)
42	D4P [D4]	LVDS Bit 4 Output True [LVCMOS Bit 4]	DDR Logical Bits 5, 4 (LVDS or CMOS)
43	D5N [NC]	LVDS Bit 5 Output Complement [NC in LVCMOS]	NC in DDR
44	D5P [D5]	LVDS Bit 5 Output True [LVCMOS Bit 5]	NC in DDR
46	RLVDS	LVDS Bias Resistor (connect to OVSS with a 10kΩ, 1% resistor)	
47	CLKOUTN [NC]	LVDS Clock Output Complement [NC in LVCMOS]	
48	CLKOUTP [CLKOUT]	LVDS Clock Output True [LVCMOS CLKOUT]	
49	D6N [NC]	LVDS Bit 6 Output Complement [NC in LVCMOS]	DDR Logical Bits 7, 6 (LVDS)

# KAD5512HP

## Pin Descriptions - 72 Ld QFN (Continued)

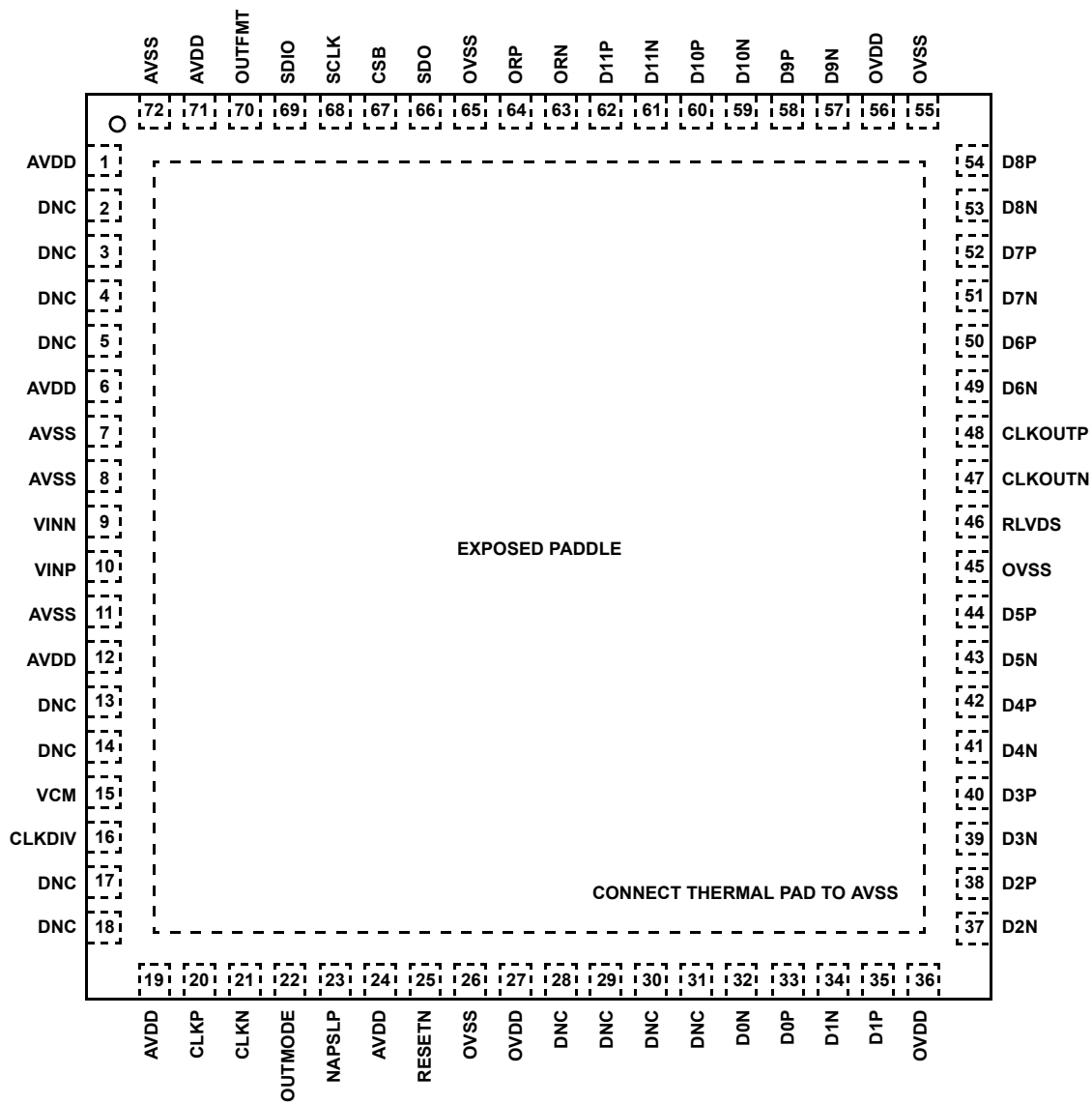
PIN NUMBER	LVDS [LVCMOS] NAME	LVDS [LVCMOS] FUNCTION SDR MODE	DDR MODE COMMENTS
50	D6P [D6]	LVDS Bit 6 Output True [LVCMOS Bit 6]	DDR Logical Bits 7, 6 (LVDS or CMOS)
51	D7N [NC]	LVDS Bit 7 Output Complement [NC in LVCMOS]	NC in DDR
52	D7P [D7]	LVDS Bit 7 Output True [LVCMOS Bit 7]	NC in DDR
53	D8N [NC]	LVDS Bit 8 Output Complement [NC in LVCMOS]	DDR Logical Bits 9, 8 (LVDS)
54	D8P [D8]	LVDS Bit 8 Output True [LVCMOS Bit 8]	DDR Logical Bits 9, 8 (LVDS or CMOS)
57	D9N [NC]	LVDS Bit 9 Output Complement [NC in LVCMOS]	NC in DDR
58	D9P [D9]	LVDS Bit 9 Output True [LVCMOS Bit 9]	NC in DDR
59	D10N [NC]	LVDS Bit 10 Output Complement [NC in LVCMOS]	DDR Logical Bits 11, 10 (LVDS)
60	D10P [D10]	LVDS Bit 10 Output True [LVCMOS Bit 10]	DDR Logical Bits 11, 10 (LVDS or CMOS)
61	D11N [NC]	LVDS Bit 11 Output Complement [NC in LVCMOS]	NC in DDR
62	D11P [D11]	LVDS Bit 11 Output True [LVCMOS Bit 11]	NC in DDR
63	ORN [NC]	LVDS Over-Range Complement [NC in LVCMOS]	
64	ORP [OR]	LVDS Over-Range True [LVCMOS Over-Range]	
66	SDO	SPI Serial Data Output (4.7k $\Omega$ pull-up to OVDD is required)	
67	CSB	SPI Chip Select (active low)	
68	SCLK	SPI Clock	
69	SDIO	SPI Serial Data Input/Output	
70	OUTFMT	Output Data Format (Two's Complement, Gray Code, Offset Binary)	
Exposed Paddle	AVSS	Analog Ground	

NOTE: LVCMOS Output Mode Functionality is shown in brackets (NC = No Connection), SDR is the default state at power-up for the 72 Ld package

# KAD5512HP

## Pin Configuration - 72 Ld QFN

KAD5512HP  
(72 LD QFN)  
TOP VIEW



# KAD5512HP

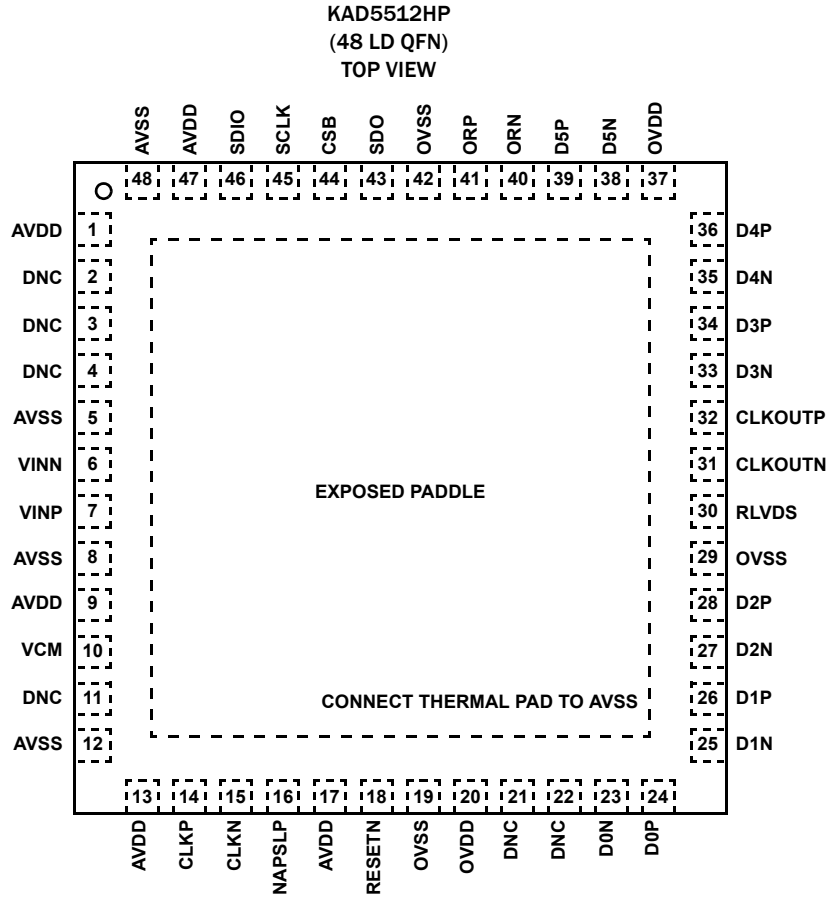
## Pin Descriptions - 48 Ld QFN

PIN NUMBER	LVDS [LVCMOS] NAME	LVDS [LVCMOS] FUNCTION
1, 9, 13, 17, 47	AVDD	1.8V Analog Supply
2-4, 11, 21, 22	DNC	Do Not Connect
5, 8, 12, 48	AVSS	Analog Ground
6, 7	VINN, VINP	Analog Input Negative, Positive
10	VCM	Common-Mode Output
14, 15	CLKP, CLKN	Clock Input True, Complement
16	NAPSLP	Power Control (Nap, Sleep modes)
18	RESETN	Power-On Reset (Active Low, see <a href="#">"User-Initiated Reset" on page 18</a> )
19, 29, 42	OVSS	Output Ground
20, 37	OVDD	1.8V Output Supply
23	D0N [NC]	LVDS DDR Logical Bits 1, 0 Output Complement [NC in LVCMOS]
24	D0P [DO]	LVDS DDR Logical Bits 1, 0 Output True [CMOS DDR Logical Bits 1, 0 in LVCMOS]
25	D1N [NC]	LVDS DDR Logical Bits 3, 2 Output Complement [NC in LVCMOS]
26	D1P [D1]	LVDS DDR Logical Bits 3, 2 Output True [CMOS DDR Logical Bits 3, 2 in LVCMOS]
27	D2N [NC]	LVDS DDR Logical Bits 5, 4 Output Complement [NC in LVCMOS]
28	D2P [D2]	LVDS DDR Logical Bits 5, 4 Output True [CMOS DDR Logical Bits 5, 4 in LVCMOS]
30	RLVDS	LVDS Bias Resistor (connect to OVSS with a 10kΩ, 1% resistor)
31	CLKOUTN [NC]	LVDS Clock Output Complement [NC in LVCMOS]
32	CLKOUTP [CLKOUT]	LVDS Clock Output True [LVCMOS CLKOUT]
33	D3N [NC]	LVDS DDR Logical Bits 7, 6 Output Complement [NC in LVCMOS]
34	D3P [D3]	LVDS DDR Logical Bits 7, 6 Output True [CMOS DDR Logical Bits 7, 6 in LVCMOS]
35	D4N [NC]	LVDS DDR Logical Bits 9, 8 Output Complement [NC in LVCMOS]
36	D4P [D4]	LVDS DDR Logical Bits 9, 8 Output True [CMOS DDR Logical Bits 9, 8 in LVCMOS]
38	D5N [NC]	LVDS DDR Logical Bits 11, 10 Output Complement [NC in LVCMOS]
39	D5P [D5]	LVDS DDR Logical Bits 11, 10 Output True [CMOS DDR Logical Bits 11, 10 in LVCMOS]
40	ORN [NC]	LVDS Over-Range Complement [NC in LVCMOS]
41	ORP [OR]	LVDS Over-Range True [LVCMOS Over-Range]
43	SDO	SPI Serial Data Output (4.7kΩ pull-up to OVDD is required)
44	CSB	SPI Chip Select (active low)
45	SCLK	SPI Clock
46	SDIO	SPI Serial Data Input/Output
Exposed Paddle	AVSS	Analog Ground

NOTE: LVCMOS output mode functionality is shown in brackets (NC = No Connection)

# KAD5512HP

## Pin Configuration - 48 Ld QFN



## Typical Performance Curves

All Typical Performance Characteristics apply under the following conditions unless otherwise noted: AVDD = OVDD = 1.8V, T<sub>A</sub> = +25 °C, A<sub>IN</sub> = -1dBFS, f<sub>IN</sub> = 1.05MHz, f<sub>SAMPLE</sub> = maximum conversion rate (per speed grade).

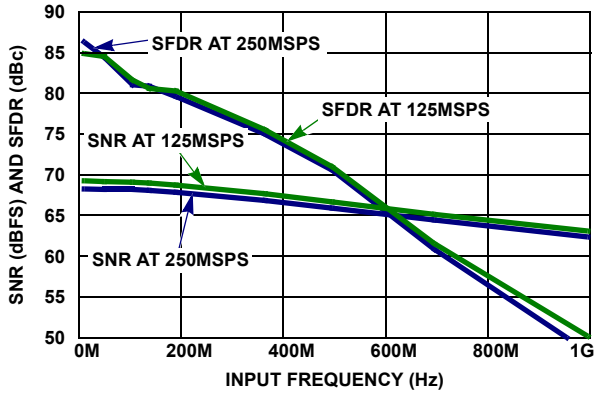


FIGURE 4. SNR AND SFDR vs f<sub>IN</sub>

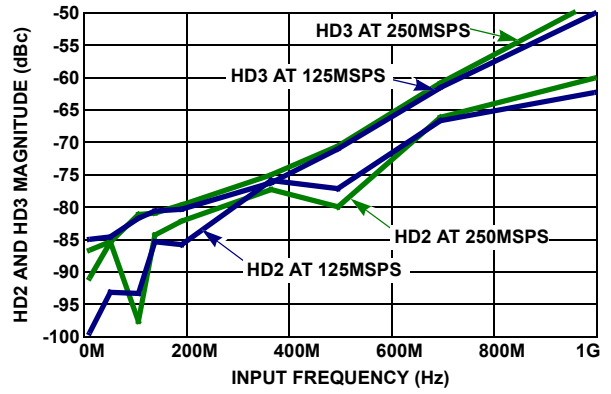


FIGURE 5. HD2 AND HD3 vs f<sub>IN</sub>

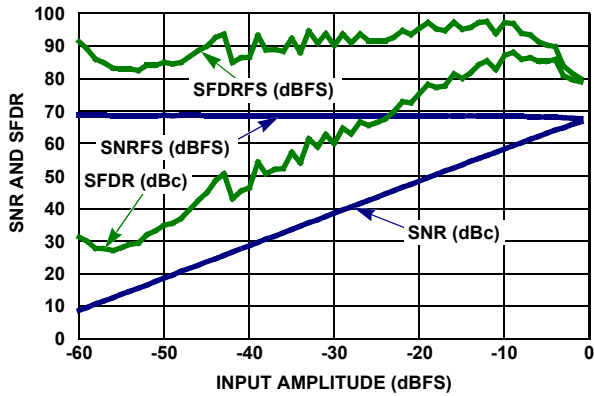


FIGURE 6. SNR AND SFDR vs A<sub>IN</sub>

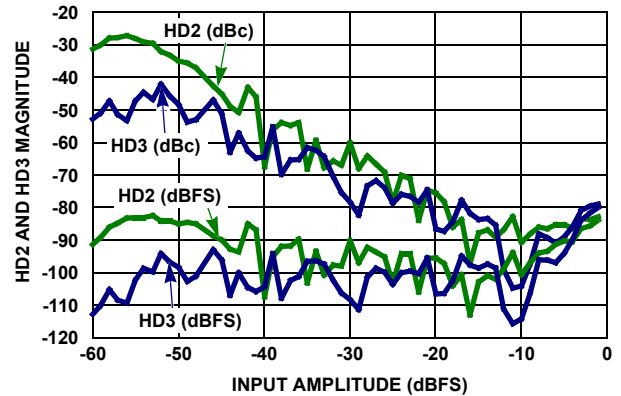


FIGURE 7. HD2 AND HD3 vs A<sub>IN</sub>

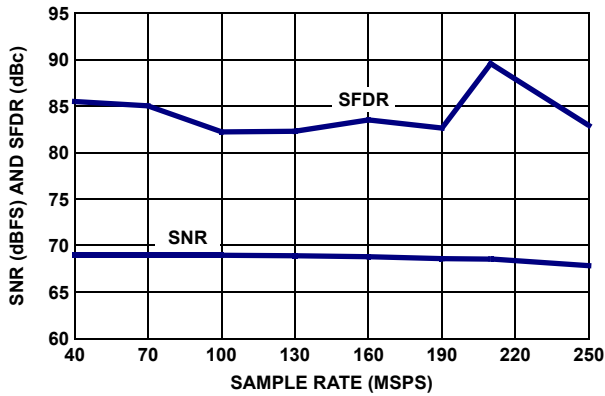


FIGURE 8. SNR AND SFDR vs f<sub>SAMPLE</sub>

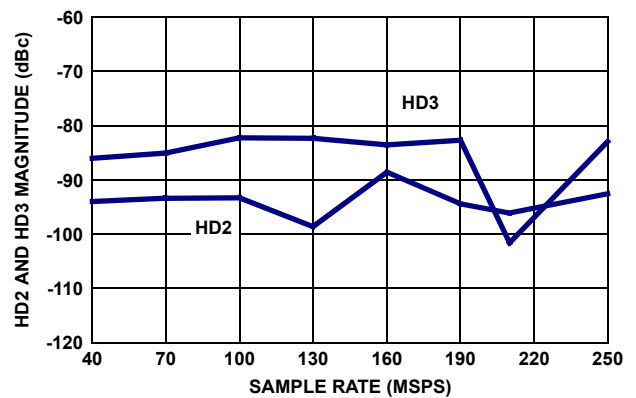


FIGURE 9. HD2 AND HD3 vs f<sub>SAMPLE</sub>

## Typical Performance Curves

All Typical Performance Characteristics apply under the following conditions unless otherwise noted: AVDD = OVDD = 1.8V, T<sub>A</sub> = +25°C, A<sub>IN</sub> = -1dBFS, f<sub>IN</sub> = 105MHz, f<sub>SAMPLE</sub> = maximum conversion rate (per speed grade). (Continued)

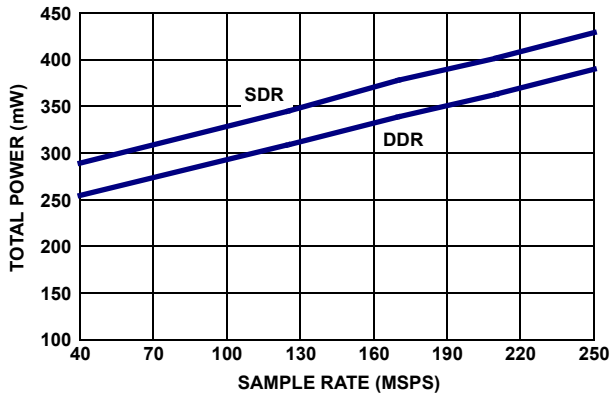


FIGURE 10. POWER vs f<sub>SAMPLE</sub> IN 3mA LVDS MODE

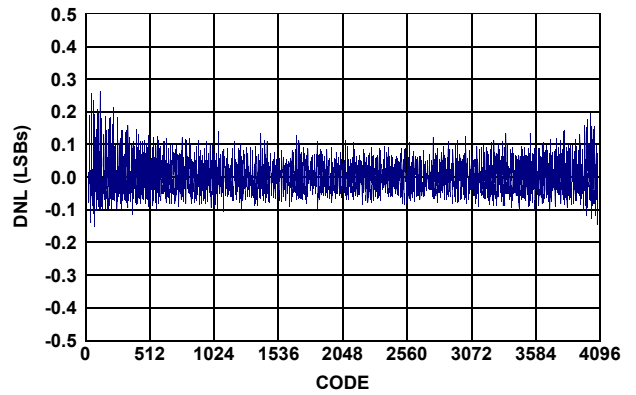


FIGURE 11. DIFFERENTIAL NONLINEARITY

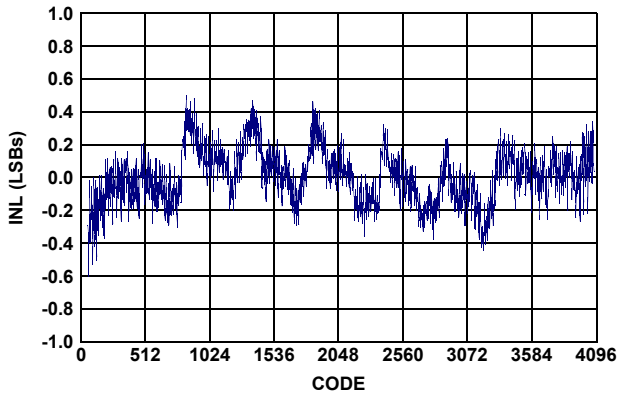


FIGURE 12. INTEGRAL NONLINEARITY

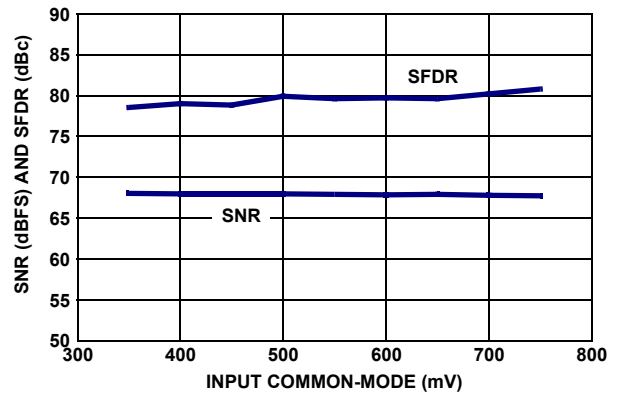


FIGURE 13. SNR AND SFDR vs VCM

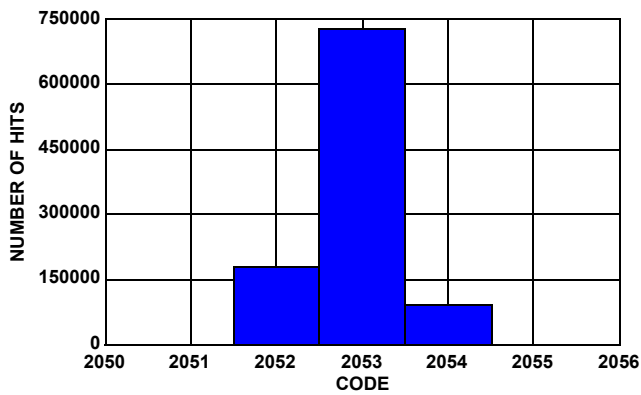


FIGURE 14. NOISE HISTOGRAM

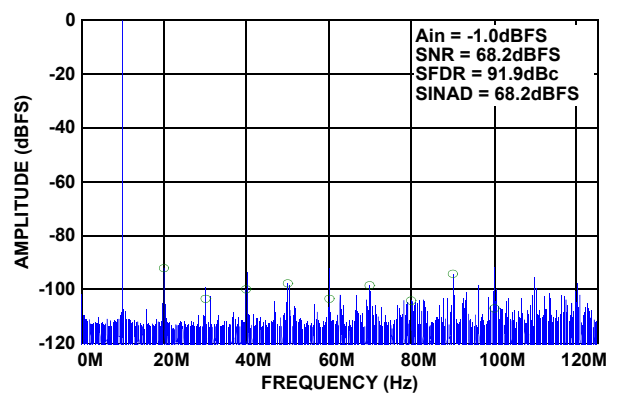


FIGURE 15. SINGLE-TONE SPECTRUM AT 10MHz



## Typical Performance Curves

All Typical Performance Characteristics apply under the following conditions unless otherwise noted: AVDD = OVDD = 1.8V, T<sub>A</sub> = +25°C, A<sub>IN</sub> = -1dBFS, f<sub>IN</sub> = 105MHz, f<sub>SAMPLE</sub> = maximum conversion rate (per speed grade). (Continued)

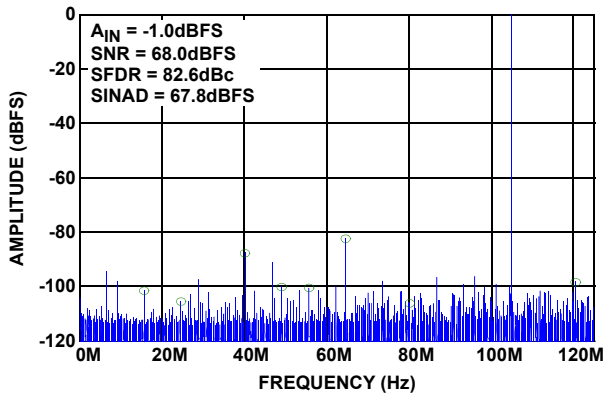


FIGURE 16. SINGLE-TONE SPECTRUM AT 105MHz

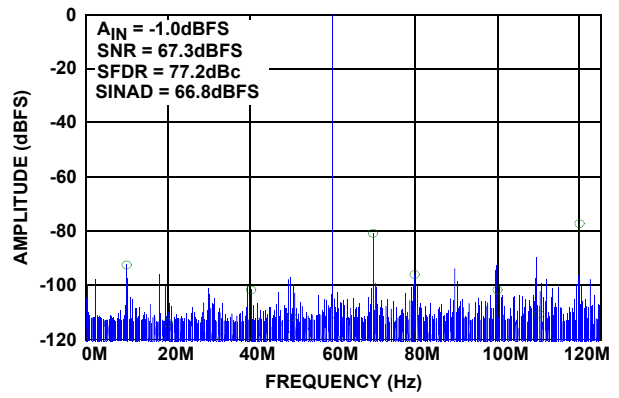


FIGURE 17. SINGLE-TONE SPECTRUM AT 190MHz

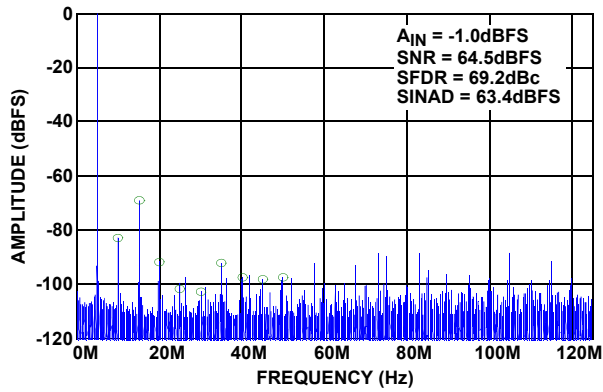


FIGURE 18. SINGLE-TONE SPECTRUM AT 495MHz

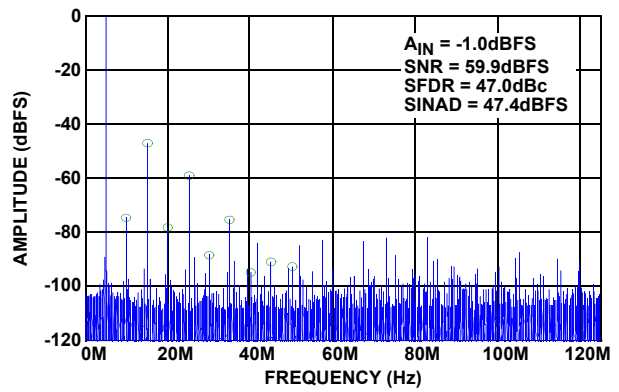


FIGURE 19. SINGLE-TONE SPECTRUM AT 995MHz

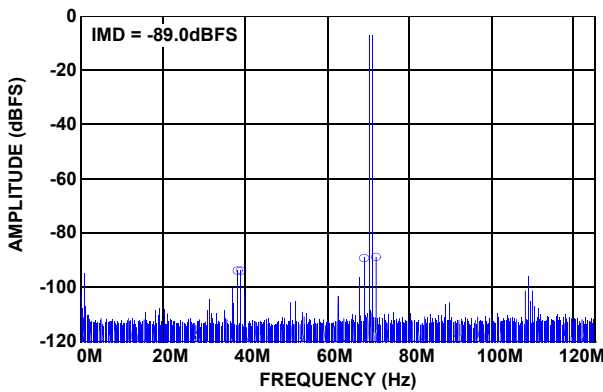


FIGURE 20. TWO-TONE SPECTRUM AT 70MHz

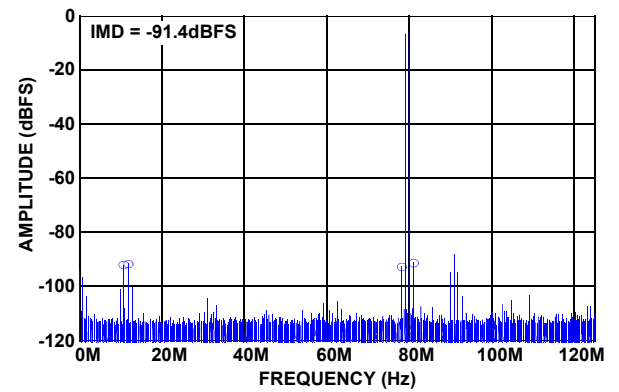


FIGURE 21. TWO-TONE SPECTRUM AT 170MHz

## Theory of Operation

### Functional Description

The KAD5512HP is based upon a 12-bit, 250MSPS A/D converter core that utilizes a pipelined successive approximation architecture (Figure 22). The input voltage is captured by a Sample-Hold Amplifier (SHA) and converted to a unit of charge. Proprietary charge-domain techniques are used to successively compare the input to a series of reference charges. Decisions made during the successive approximation operations determine the digital code for each input value. The converter pipeline requires six samples to produce a result. Digital error correction is also applied, resulting in a total latency of eight and one half clock cycles. This is evident to the user as a time lag between the start of a conversion and the data being available on the digital outputs.

The KAD5512HP family offers 2.5dB improvement in SNR over the KAD5512P by simultaneously sampling the input signal with two ADC cores in parallel and summing the digital result. Since the input signal is correlated between the two cores and noise is not, an increase in SNR is achieved. As a result of this architecture, indexed SPI operations must be executed on each core in series. Refer to [“Indexed Device Configuration/Control” on page 24](#) for more details.

### Power-On Calibration

The ADC performs a self-calibration at start-up. An internal Power-On Reset (POR) circuit detects the supply voltage ramps and initiates the calibration when the analog and digital supply

voltages are above a threshold. The following conditions must be adhered to for the power-on calibration to execute successfully:

- A frequency-stable conversion clock must be applied to the CLKP/CLKN pins
- DNC pins (especially 3, 4 and 18) must not be pulled up or down
- SDO (pin 66) must be high
- RESETN (pin 25) must begin low
- SPI communications must not be attempted

A user-initiated reset can subsequently be invoked in the event that the previous conditions cannot be met at power-up.

The SDO pin requires an external 4.7kΩ pull-up to OVDD. If the SDO pin is pulled low externally during power-up, calibration will not be executed properly.

After the power supply has stabilized the internal POR releases RESETN and an internal pull-up pulls it high, which starts the calibration sequence. If a subsequent user-initiated reset is required, the RESETN pin should be connected to an open-drain driver with a drive strength of less than 0.5mA.

The calibration sequence is initiated on the rising edge of RESETN, as shown in Figure 23. The Over-Range (OR) output is set high once RESETN is pulled low, and remains in that state until calibration is complete. The OR output returns to normal operation at that time, so it is important that the analog input be within the converter’s full-scale range to observe the transition. If the input is in an over-range condition the OR pin will stay high, and it will not be possible to detect the end of the calibration cycle.

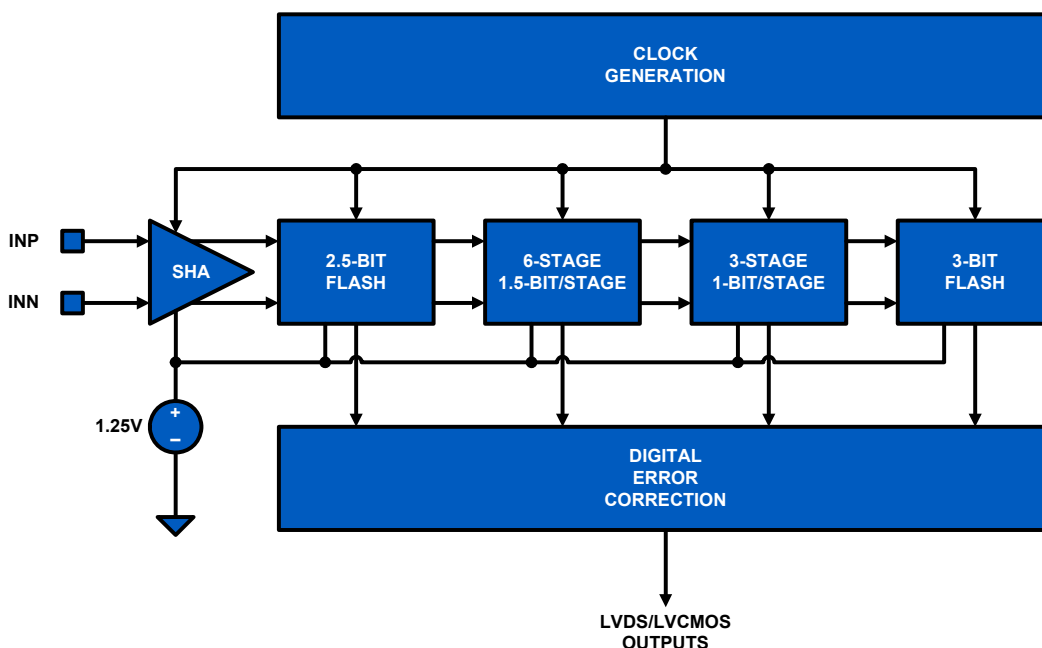


FIGURE 22. ADC CORE BLOCK DIAGRAM

While RESETN is low, the output clock (CLKOUTP/CLKOUTN) is set low. Normal operation of the output clock resumes at the next input clock edge (CLKP/CLKN) after RESETN is deasserted. At 250MSPS the nominal calibration time is 200ms, while the maximum calibration time is 550ms.

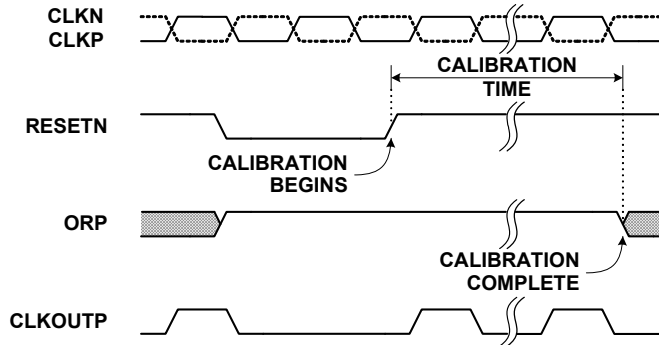


FIGURE 23. CALIBRATION TIMING

## User-Initiated Reset

Recalibration of the ADC can be initiated at any time by driving the RESETN pin low for a minimum of one clock cycle. An open-drain driver with a drive strength of less than 0.5mA is recommended, RESETN has an internal high impedance pull-up to OVDD. As is the case during power-on reset, the SDO, RESETN and DNC pins must be in the proper state for the calibration to successfully execute.

The performance of the KAD5512HP changes with variations in temperature, supply voltage or sample rate. The extent of these changes may necessitate recalibration, depending on system performance requirements. Best performance will be achieved by recalibrating the ADC under the environmental conditions at which it will operate.

A supply voltage variation of <math><100\text{mV}</math> will generally result in an SNR change of less than 0.5dBFS and SFDR change of less than 3dBc.

In situations where the sample rate is not constant, best results will be obtained if the device is calibrated at the highest sample rate. Reducing the sample rate by less than 80MSPS will typically result in an SNR change of less than 0.5dBFS and an SFDR change of less than 3dBc.

Figures 24 and 25 show the effect of temperature on SNR and SFDR performance with calibration performed at  $-40^{\circ}\text{C}$ ,  $+25^{\circ}\text{C}$ , and  $+85^{\circ}\text{C}$ . Each plot shows the variation of SNR/SFDR across temperature after a single calibration at  $-40^{\circ}\text{C}$ ,  $+25^{\circ}\text{C}$  and  $+85^{\circ}\text{C}$ . Best performance is typically achieved by calibration at the operating conditions as stated earlier but it can be seen that performance drift with temperature is not a very strong function of the temperature at which the calibration is performed. Full-rated performance will be achieved after power-up calibration regardless of the operating conditions.

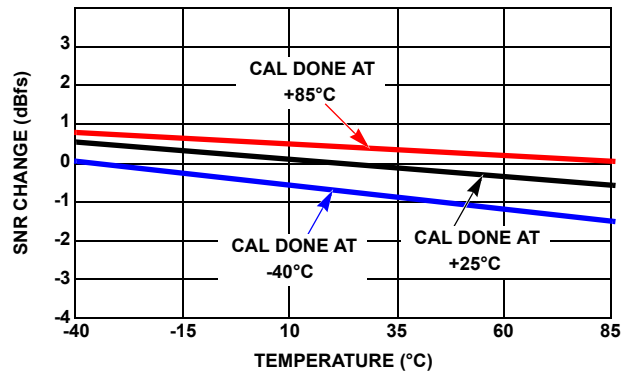


FIGURE 24. SNR PERFORMANCE vs TEMPERATURE

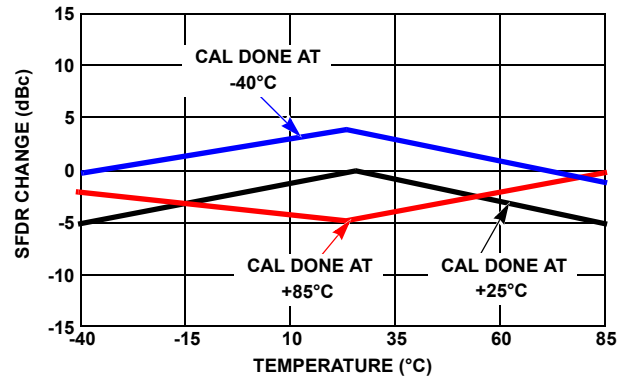


FIGURE 25. SFDR PERFORMANCE vs TEMPERATURE

## Analog Input

A single fully differential input (VINP/VINN) connects to the sample and hold amplifier (SHA) of each unit ADC. The ideal full-scale input voltage is 1.45V, centered at the VCM voltage of 0.535V as shown in Figure 26.

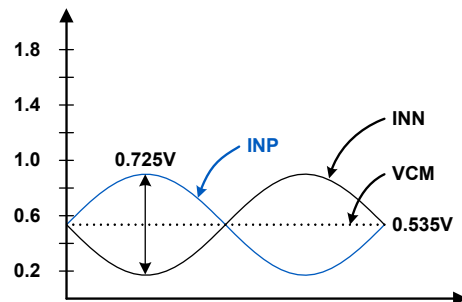


FIGURE 26. ANALOG INPUT RANGE

# KAD5512HP

Best performance is obtained when the analog inputs are driven differentially. The common-mode output voltage, VCM, should be used to properly bias the inputs as shown in Figures 27 through 29. An RF transformer will give the best noise and distortion performance for wideband and/or high Intermediate Frequency (IF) inputs. Two different transformer input schemes are shown in Figures 27 and 28.

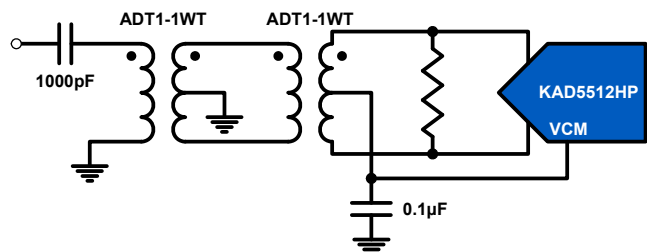


FIGURE 27. TRANSFORMER INPUT FOR GENERAL PURPOSE APPLICATIONS

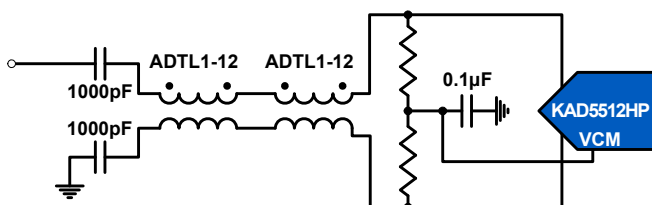


FIGURE 28. TRANSMISSION-LINE TRANSFORMER INPUT FOR HIGH IF APPLICATIONS

This dual transformer scheme is used to improve common-mode rejection, which keeps the common-mode level of the input matched to VCM. The value of the shunt resistor should be determined based on the desired load impedance. The differential input resistance of the KAD5512HP is 500Ω.

The SHA design uses a switched capacitor input stage (see Figure 42 on page 28), which creates current spikes when the sampling capacitance is reconnected to the input voltage. This causes a disturbance at the input which must settle before the next sampling point. Lower source impedance will result in faster settling and improved performance. Therefore a 1:1 transformer and low shunt resistance are recommended for optimal performance.

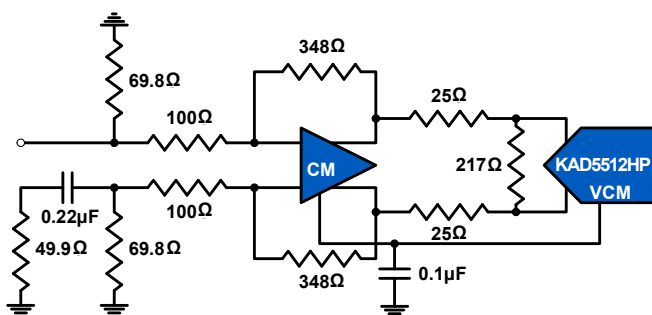


FIGURE 29. DIFFERENTIAL AMPLIFIER INPUT

A differential amplifier, as shown in Figure 29, can be used in applications that require DC-coupling. In this configuration the amplifier will typically dominate the achievable SNR and distortion performance.

## Clock Input

The clock input circuit is a differential pair (see Figure 43 on page 28). Driving these inputs with a high level (up to 1.8V<sub>P-P</sub> on each input) sine or square wave will provide the lowest jitter performance. A transformer with 4:1 impedance ratio will provide increased drive levels.

The recommended drive circuit is shown in Figure 30. A duty range of 40% to 60% is acceptable. The clock can be driven single-ended, but this will reduce the edge rate and may impact SNR performance. The clock inputs are internally self-biased to AVDD/2 to facilitate AC coupling.

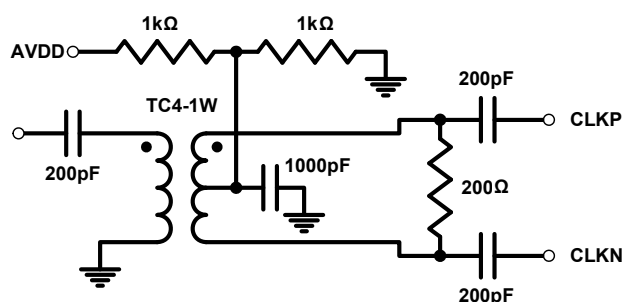


FIGURE 30. RECOMMENDED CLOCK DRIVE

A selectable 2x frequency divider is provided in series with the clock input. The divider can be used in the 2x mode with a sample clock equal to twice the desired sample rate. This allows the use of the Phase Slip feature, which enables synchronization of multiple ADCs.

TABLE 2. CLKDIV PIN SETTINGS

CLKDIV PIN	DIVIDE RATIO
AVSS	2
Float	1
AVDD	4

The clock divider can also be controlled through the SPI port, which overrides the CLKDIV pin setting. Details on this are contained in "Serial Peripheral Interface" on page 22.

A Delay-Locked Loop (DLL) generates internal clock signals for various stages within the charge pipeline. If the frequency of the input clock changes, the DLL may take up to 52µs to regain lock at 250MSPS. The lock time is inversely proportional to the sample rate.

The DLL has two ranges of operation, slow and fast. The slow range can be used for sample rates between 40MSPS and 100MSPS, while the default fast range can be used from 80MSPS to the maximum specified sample rate.

## Jitter

In a sampled data system, clock jitter directly impacts the achievable SNR performance. The theoretical relationship between clock jitter ( $t_j$ ) and SNR is shown in [Equation 1](#) and is illustrated in [Figure 31](#).

$$\text{SNR} = 20 \log_{10} \left( \frac{1}{2\pi f_{IN} t_j} \right) \quad (\text{EQ. 1})$$

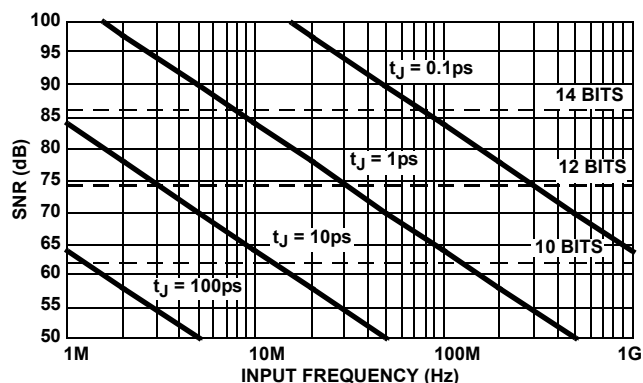


FIGURE 31. SNR vs CLOCK JITTER

This relationship shows the SNR that would be achieved if clock jitter were the only non-ideal factor. In reality, achievable SNR is limited by internal factors such as linearity, aperture jitter and thermal noise. Internal aperture jitter is the uncertainty in the sampling instant shown in [Figure 2](#) on [page 7](#). The internal aperture jitter combines with the input clock jitter in a root-sum-square fashion, since they are not statistically correlated, and this determines the total jitter in the system. The total jitter, combined with other noise sources, then determines the achievable SNR.

## Voltage Reference

A temperature compensated voltage reference provides the reference charges used in the successive approximation operations. The full-scale range of each A/D is proportional to the reference voltage. The voltage reference is internally bypassed and is not accessible to the user.

## Digital Outputs

Output data is available as a parallel bus in LVDS-compatible or CMOS modes. Additionally, the data can be presented in either Double Data Rate (DDR) or Single Data Rate (SDR) formats. The even numbered data output pins are active in DDR mode in the 72 Ld package option. When CLKOUT is low the MSB and all odd logical bits are output, while on the high phase the LSB and all even logical bits are presented (this is true in both the 72 Ld and 48 Ld package options). [Figures 2](#) and [3](#) show the timing relationships for LVDS/CMOS and DDR/SDR modes.

The 48 Ld QFN package option contains six LVDS data output pin pairs, and therefore can only support DDR mode.

Additionally, the drive current for LVDS mode can be set to a nominal 3mA or a power-saving 2mA. The lower current setting can be used in designs where the receiver is in close physical proximity to the ADC. The applicability of this setting is dependent upon the PCB layout, therefore the user should experiment to determine if performance degradation is observed.

The output mode and LVDS drive current are selected via the OUTMODE pin as shown in [Table 3](#).

TABLE 3. OUTMODE PIN SETTINGS

OUTMODE PIN	MODE
AVSS	LVC MOS
Float	LVDS, 3mA
AVDD	LVDS, 2mA

The output mode can also be controlled through the SPI port, which overrides the OUTMODE pin setting. Details on this are contained in [“Serial Peripheral Interface”](#) on [page 22](#).

An external resistor creates the bias for the LVDS drivers. A 10kΩ, 1% resistor must be connected from the RLVDSPIN to OVSS.

## Over-Range Indicator

The Over-Range (OR) bit is asserted when the output code reaches positive full-scale (e.g., 0xFFF in offset binary mode). The output code does not wrap around during an over-range condition. The OR bit is updated at the sample rate.

## Power Dissipation

The power dissipated by the KAD5512HP is primarily dependent on the sample rate and the output modes: LVDS vs CMOS and DDR vs SDR. There is a static bias in the analog supply, while the remaining power dissipation is linearly related to the sample rate. The output supply dissipation changes to a lesser degree in LVDS mode, but is more strongly related to the clock frequency in CMOS mode.

## Nap/Sleep

Portions of the device may be shut down to save power during times when operation of the ADC is not required. Two power saving modes are available: Nap and Sleep. Nap mode reduces power dissipation to less than 170.2mW and recovers to normal operation in approximately 1μs. Sleep mode reduces power dissipation to less than 6mW but requires approximately 1ms to recover from a sleep command.

Wake-up time from sleep mode is dependent on the state of CSB; in a typical application CSB would be held high during sleep, requiring a user to wait 150μs maximum after CSB is asserted (brought low) prior to writing ‘001x’ to SPI Register 25. The device would be fully powered up, in normal mode 1ms after this command is written.

Wake-up from Sleep Mode Sequence (CSB high)

- Pull CSB Low
- Wait 150μs
- Write ‘001x’ to Register 25
- Wait 1ms until ADC fully powered on

In an application where CSB was kept low in sleep mode, the 150μs CSB set-up time is not required as the SPI registers are powered on when CSB is low, the chip power dissipation increases by ~ 15mW in this case. The 1ms wake-up time after the write of a ‘001x’ to register 25 still applies. It is generally recommended to

keep CSB high in sleep mode to avoid any unintentional SPI activity on the ADC.

All digital outputs (Data, CLKOUT and OR) are placed in a high impedance state during Nap or Sleep. The input clock should remain running and at a fixed frequency during Nap or Sleep, and CSB should be high. Recovery time from Nap mode will increase if the clock is stopped, since the internal DLL can take up to 52µs to regain lock at 250MSPS.

By default after the device is powered on, the operational state is controlled by the NAPSLP pin as shown in [Table 4](#).

**TABLE 4. NAPSLP PIN SETTINGS**

NAPSLP PIN	MODE
AVSS	Normal
Float	Sleep
AVDD	Nap

The power-down mode can also be controlled through the SPI port, which overrides the NAPSLP pin setting. Details on this are contained in [“Serial Peripheral Interface” on page 22](#). This is an indexed function when controlled from the SPI, but a global function when driven from the pin.

## Data Format

Output data can be presented in three formats: two’s complement, Gray code and offset binary. The data format is selected via the OUTFMT pin as shown in [Table 5](#).

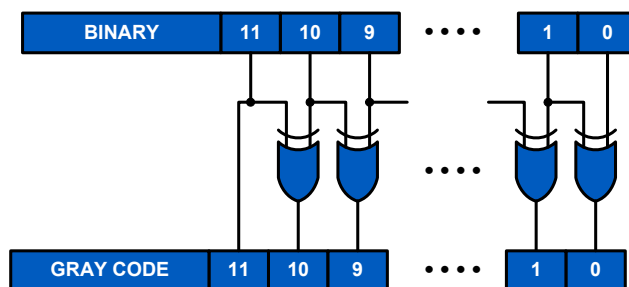
**TABLE 5. OUTFMT PIN SETTINGS**

OUTFMT PIN	MODE
AVSS	Offset Binary
Float	Two’s Complement
AVDD	Gray Code

The data format can also be controlled through the SPI port, which overrides the OUTFMT pin setting. Details on this are contained in [“Serial Peripheral Interface” on page 22](#).

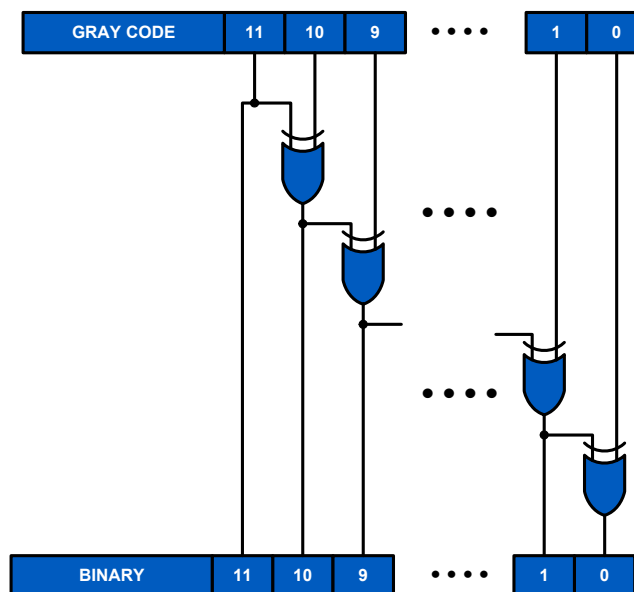
Offset binary coding maps the most negative input voltage to code 0x000 (all zeros) and the most positive input to 0xFFFF (all ones). Two’s complement coding simply complements the MSB of the offset binary representation.

When calculating Gray code, the MSB is unchanged. The remaining bits are computed as the XOR of the current bit position and the next most significant bit. [Figure 32](#) shows this operation.



**FIGURE 32. BINARY TO GRAY CODE CONVERSION**

Converting back to offset binary from Gray code must be done recursively, using the result of each bit for the next lower bit as shown in [Figure 33](#).



**FIGURE 33. GRAY CODE TO BINARY CONVERSION**

Mapping of the input voltage to the various data formats is shown in [Table 6](#).

**TABLE 6. INPUT VOLTAGE TO OUTPUT CODE MAPPING**

INPUT VOLTAGE	OFFSET BINARY	TWO'S COMPLEMENT	GRAY CODE
-Full-Scale	000 00 000 00 00	100 00 000 00 00	000 00 000 00 00
-Full-Scale + 1 LSB	000 00 000 00 01	100 00 000 00 01	000 00 000 00 01
Mid-Scale	100 00 000 00 00	000 00 000 00 00	110 00 000 00 00
+Full-Scale - 1 LSB	111 11 111 11 10	011 11 111 11 10	100 00 000 00 01
+Full-Scale	111 11 111 11 11	011 11 111 11 11	100 00 000 00 00

## Serial Peripheral Interface

A Serial Peripheral Interface (SPI) bus is used to facilitate configuration of the device and to optimize performance. The SPI bus consists of Chip Select Bar (CSB), Serial Clock (SCLK), Serial Data Input (SDI) and Serial Data Output (SDIO). The maximum SCLK rate is equal to the ADC sample rate ( $f_{\text{SAMPLE}}$ ) divided by 16 for write operations and  $f_{\text{SAMPLE}}$  divided by 66 for reads. At  $f_{\text{SAMPLE}} = 250\text{MHz}$ , maximum SCLK is 15.63MHz for writing and 3.79MHz for read operations. There is no minimum SCLK rate.

The following sections describe various registers that are used to configure the SPI or adjust performance or functional parameters. Many registers in the available address space (0x00 to 0xFF) are not defined in this document. Additionally, within a defined register there may be certain bits or bit combinations that are reserved. Undefined registers and undefined values within defined registers are reserved and should not be selected. Setting any reserved register or value may produce indeterminate results.

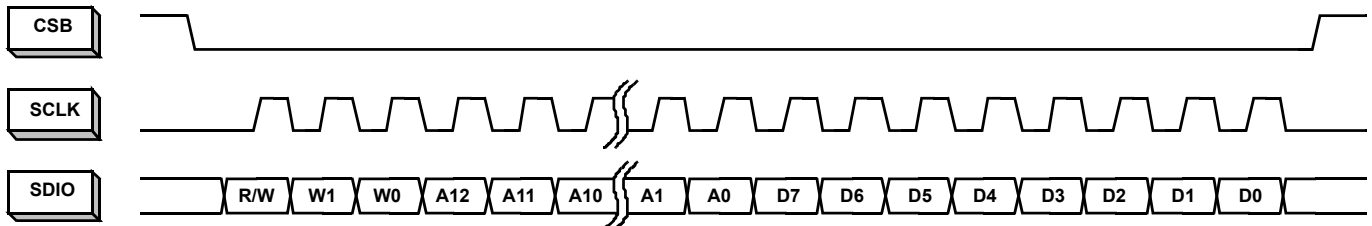


FIGURE 34. MSB-FIRST ADDRESSING

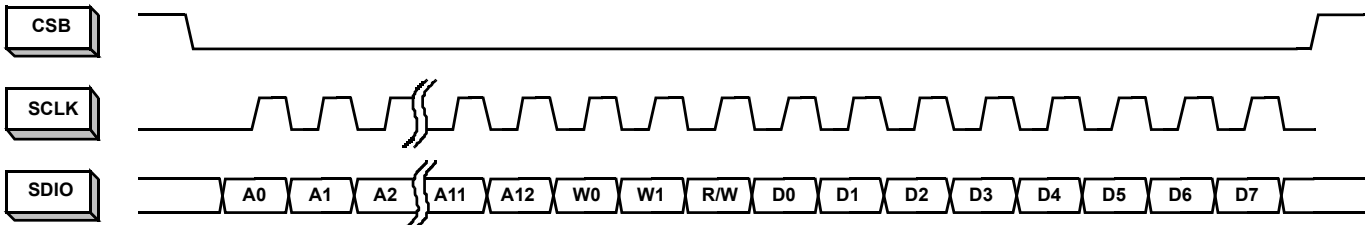
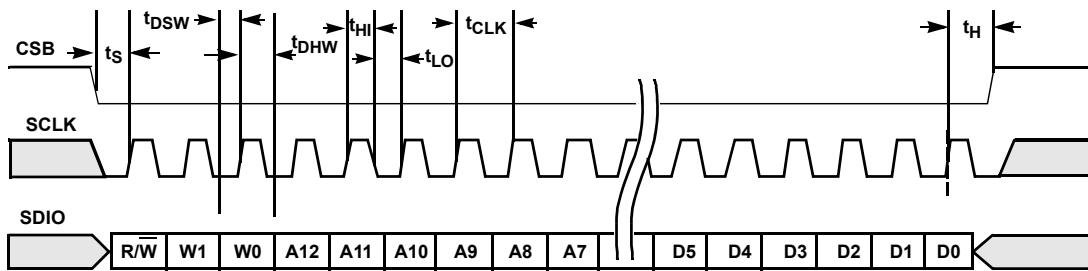
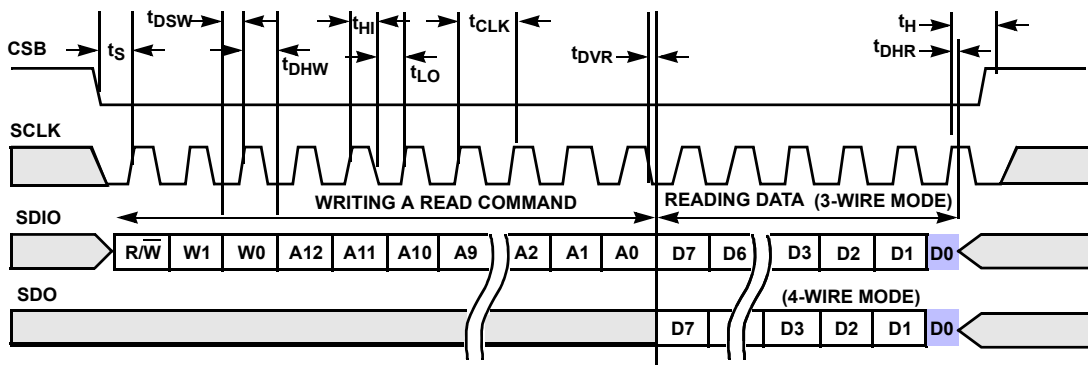


FIGURE 35. LSB-FIRST ADDRESSING



SPI WRITE

FIGURE 36. SPI WRITE



SPI READ

FIGURE 37. SPI READ

# KAD5512HP

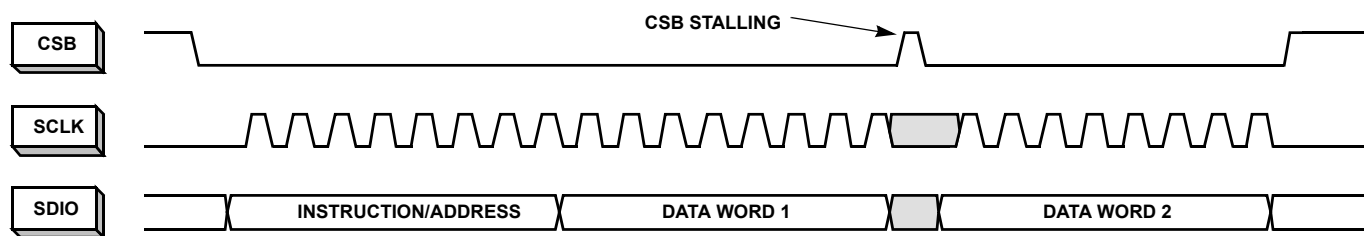


FIGURE 38. 2-BYTE TRANSFER

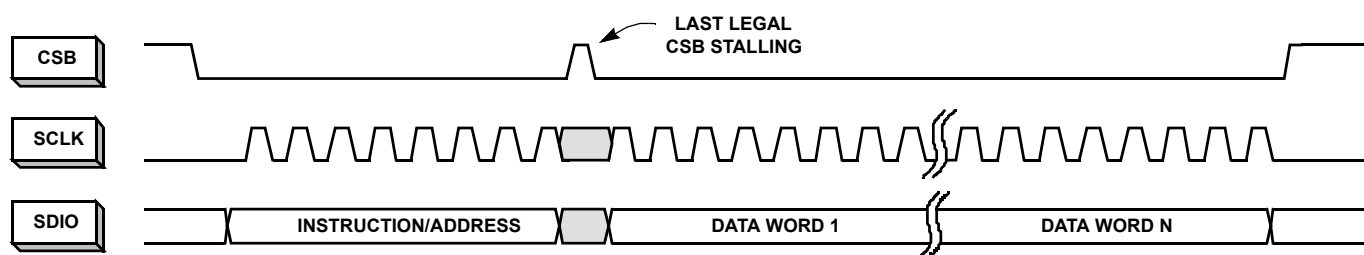


FIGURE 39. N-BYTE TRANSFER

## SPI Physical Interface

The Serial Clock Pin (SCLK) provides synchronization for the data transfer. By default, all data is presented on the Serial Data Input/Output (SDIO) pin in three-wire mode. The state of the SDIO pin is set automatically in the communication protocol (described in the following). A dedicated Serial Data Output (SDO) pin can be activated by setting 0x00[7] high to allow operation in 4-wire mode.

The SPI port operates in a half duplex master/slave configuration, with the KAD5512HP functioning as a slave. Multiple slave devices can interface to a single master in three-wire mode only, since the SDO output of an unaddressed device is asserted in 4-wire mode.

The Chip Select Bar (CSB) pin determines when a slave device is being addressed. Multiple slave devices can be written to concurrently, but only one slave device can be read from at a given time (again, only in 3-wire mode). If multiple slave devices are selected for reading at the same time, the results will be indeterminate.

The communication protocol begins with an instruction/address phase. The first rising SCLK edge following a HIGH to LOW transition on CSB determines the beginning of the two-byte instruction/address command; SCLK must be static low before the CSB transition. Data can be presented in MSB-first order or LSB-first order. The default is MSB-first, but this can be changed by setting 0x00[6] high. Figures 34 and 35 show the appropriate bit ordering for the MSB-first and LSB-first modes, respectively. In MSB-first mode the address is incremented for multi-byte transfers, while in LSB-first mode it's decremented.

In the default mode the MSB is R/W, which determines if the data is to be read (active high) or written. The next two bits, W1 and W0, determine the number of data bytes to be read or written (see Table 7). The lower 13 bits contain the first address for the data transfer. This relationship is illustrated in Figure 36,

and timing values are given in [“Switching Specifications” on page 8](#).

After the instruction/address bytes have been read, the appropriate number of data bytes are written to or read from the ADC (based on the R/W bit status). The data transfer will continue as long as CSB remains low and SCLK is active. Stalling of the CSB pin is allowed at any byte boundary (instruction/address or data) if the number of bytes being transferred is three or less. For transfers of four bytes or more, CSB is allowed stall in the middle of the instruction/address bytes or before the first data byte. If CSB transitions to a high state after that point the state machine will reset and terminate the data transfer.

TABLE 7. BYTE TRANSFER SELECTION

[W1:W0]	BYTES TRANSFERRED
00	1
01	2
10	3
11	4 or more

Figures 38 and 39 illustrate the timing relationships for 2-byte and N-byte transfers, respectively. The operation for a 3-byte transfer can be inferred from these diagrams.



## SPI Configuration

### ADDRESS 0X00: CHIP\_PORT\_CONFIG

Bit ordering and SPI reset are controlled by this register. Bit order can be selected as MSB to LSB (MSB first) or LSB to MSB (LSB first) to accommodate various microcontrollers.

**Bit 7** SDO Active

**Bit 6** LSB First

Setting this bit high configures the SPI to interpret serial data as arriving in LSB to MSB order.

**Bit 5** Soft Reset

Setting this bit high resets all SPI registers to default values.

**Bit 4** Reserved

This bit should always be set high.

**Bits 3:0** These bits should always mirror Bits 4:7 to avoid ambiguity in bit ordering.

### ADDRESS 0X02: BURST\_END

If a series of sequential registers are to be set, burst mode can improve throughput by eliminating redundant addressing. In 3-wire SPI mode the burst is ended by pulling the CSB pin high. If the device is operated in 2-wire mode the CSB pin is not available. In that case, setting the burst\_end address determines the end of the transfer. During a write operation, the user must be cautious to transmit the correct number of bytes based on the starting and ending addresses.

**Bits 7:0** Burst End Address

This register value determines the ending address of the burst data.

## Device Information

### ADDRESS 0X08: CHIP\_ID

### ADDRESS 0X09: CHIP\_VERSION

The generic die identifier and a revision number, respectively, can be read from these two registers.

## Indexed Device Configuration/Control

### ADDRESS 0X10: DEVICE\_INDEX\_A

A common SPI map, which can accommodate single-channel or multi-channel devices, is used for all Intersil ADC products. Certain configuration commands (identified as Indexed in the SPI map) can be executed on a per-converter basis. This register determines which converter is being addressed for an Indexed command. It is important to note that only a single converter can be addressed at a time.

This register defaults to 00h, indicating that no ADC is addressed. Error code 'AD' is returned if any indexed register is read from without properly setting device\_index\_A.

### ADDRESS 0X20: OFFSET\_COARSE

### ADDRESS 0X21: OFFSET\_FINE

The input offset of each ADC core can be adjusted in fine and coarse steps. Both adjustments are made via an 8-bit word as detailed in [Table 8](#).

The default value of each register will be the result of the self-calibration after initial power-up. If a register is to be incremented or decremented, the user should first read the register value then write the incremented or decremented value back to the same register.

TABLE 8. OFFSET ADJUSTMENTS

PARAMETER	0x20[7:0] COARSE OFFSET	0x21[7:0] FINE OFFSET
Steps	255	255
-Full-Scale (0x00)	-133 LSB (-47mV)	-5 LSB (-1.75mV)
Mid-Scale (0x80)	0.0 LSB (0.0mV)	0.0 LSB
+Full-Scale (0xFF)	+133 LSB (+47mV)	+5 LSB (+1.75mV)
Nominal Step Size	1.04 LSB (0.37mV)	0.04 LSB (0.014mV)

### ADDRESS 0X22: GAIN\_COARSE

### ADDRESS 0X23: GAIN\_MEDIUM

### ADDRESS 0X24: GAIN\_FINE

Gain of the ADC core can be adjusted in coarse, medium and fine steps. Coarse gain is a 4-bit adjustment while medium and fine are 8-bit. Multiple Coarse Gain Bits can be set for a total adjustment range of  $\pm 4.2\%$ . ('0011'  $\cong -4.2\%$  and '1100'  $\cong +4.2\%$ ) It is recommended to use one of the coarse gain settings (-4.2%, -2.8%, -1.4%, 0, 1.4%, 2.8%, 4.2%) and fine-tune the gain using the registers at 23h and 24h.

The default value of each register will be the result of the self-calibration after initial power-up. If a register is to be incremented or decremented, the user should first read the register value then write the incremented or decremented value back to the same register.

TABLE 9. COARSE GAIN ADJUSTMENT

0x22[3:0]	NOMINAL COARSE GAIN ADJUST (%)
Bit 3	+2.8
Bit 2	+1.4
Bit 1	-2.8
Bit 0	-1.4

TABLE 10. MEDIUM AND FINE GAIN ADJUSTMENTS

PARAMETER	0x23[7:0] MEDIUM GAIN	0x24[7:0] FINE GAIN
Steps	256	256
-Full-Scale (0x00)	-2%	-0.20%
Mid-Scale (0x80)	0.00%	0.00%
+Full-Scale (0xFF)	+2%	+0.2%
Nominal Step Size	0.016%	0.0016%

## ADDRESS 0X25: MODES

Two distinct reduced power modes can be selected. By default, the tri-level NAPSLP pin can select normal operation, nap or sleep modes (refer to [“Nap/Sleep” on page 20](#)). This functionality can be overridden and controlled through the SPI. This is an indexed function when controlled from the SPI, but a global function when driven from the pin. This register is not changed by a soft-reset.

TABLE 11. POWER-DOWN CONTROL

VALUE	0x25[2:0] POWER-DOWN MODE
000	Pin Control
001	Normal Operation
010	Nap Mode
100	Sleep Mode

## Global Device Configuration/Control

### ADDRESS 0X71: PHASE\_SLIP

When using the clock divider, it's not possible to determine the synchronization of the incoming and divided clock phases. This is particularly important when multiple ADCs are used in a time-interleaved system. The phase slip feature allows the rising edge of the divided clock to be advanced by one input clock cycle when in CLK/4 mode, as shown in [Figure 40](#). Execution of a phase\_slip command is accomplished by first writing a '0' to Bit 0 at address 71h followed by writing a '1' to Bit 0 at address 71h (32 SCLK cycles).

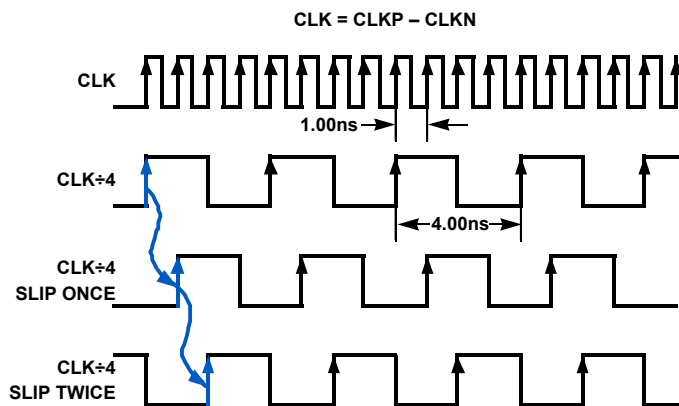


FIGURE 40. PHASE SLIP: CLK÷4 MODE,  $f_{\text{CLK}} = 1000\text{MHz}$

### ADDRESS 0X72: CLOCK\_DIVIDE

The KAD5512HP has a selectable clock divider that can be set to divide by four, two or one (no division). By default, the tri-level CLKDIV pin selects the divisor (refer to “Clock Input Considerations” on page 30). This functionality can be overridden and controlled through the SPI, as shown in [Table 12](#). This register is not changed by a soft reset.

TABLE 12. CLOCK DIVIDER SELECTION

VALUE	0x72[2:0] CLOCK DIVIDER
000	Pin Control
001	Divide by 1
010	Divide by 2
100	Divide by 4

### ADDRESS 0X73: OUTPUT\_MODE\_A

The output\_mode\_A register controls the physical output format of the data, as well as the logical coding. The KAD5512HP can present output data in two physical formats: LVDS or LVCMOS. Additionally, the drive strength in LVDS mode can be set high (3mA) or low (2mA). By default, the tri-level OUTMODE pin selects the mode and drive level (refer to [“Digital Outputs” on page 20](#)). This functionality can be overridden and controlled through the SPI, as shown in [Table 13](#).

Data can be coded in three possible formats: two's complement, Gray code or offset binary. By default, the tri-level OUTFMT pin selects the data format (refer to [“Data Format” on page 21](#)). This functionality can be overridden and controlled through the SPI, as shown in [Table 14](#).

This register is not changed by a soft reset.

TABLE 13. OUTPUT MODE CONTROL

VALUE	0x93[7:5] OUTPUT MODE
000	Pin Control
001	LVDS 2mA
010	LVDS 3mA
100	LVCMOS

TABLE 14. OUTPUT FORMAT CONTROL

VALUE	0x93[2:0] OUTPUT FORMAT
000	Pin Control
001	Two's Complement
010	Gray Code
100	Offset Binary

### ADDRESS 0X74: OUTPUT\_MODE\_B

### ADDRESS 0X75: CONFIG\_STATUS

#### Bit 6 DLL Range

This bit sets the DLL operating range to fast (default) or slow.

#### Bit 4 DDR Enable

Setting this bit enables Double Data-Rate mode.

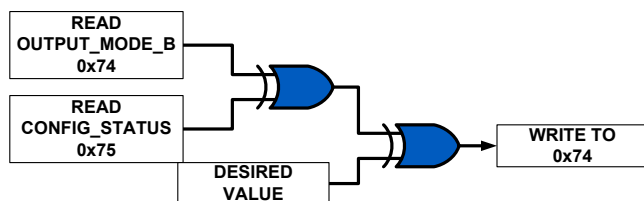
# KAD5512HP

Internal clock signals are generated by a Delay-Locked Loop (DLL), which has a finite operating range. [Table 15](#) shows the allowable sample rate ranges for the slow and fast settings.

**TABLE 15. DLL RANGES**

DLL RANGE	MIN	MAX	UNIT
Slow	40	100	MSPS
Fast	80	$f_S$ MAX	MSPS

The output\_mode\_B and config\_status registers are used in conjunction to enable DDR mode and select the frequency range of the DLL clock generator. The method of setting these options is different from the other registers.



**FIGURE 41. SETTING OUTPUT\_MODE\_B REGISTER**

The procedure for setting output\_mode\_B is shown in [Figure 41](#). Read the contents of output\_mode\_B and config\_status and XOR them. Then XOR this result with the desired value for output\_mode\_B and write that XOR result to the register.

## Device Test

The KAD5512HP can produce preset or user defined patterns on the digital outputs to facilitate in situ testing. A static word can be placed on the output bus, or two different words can alternate. In the alternate mode, the values defined as Word 1 and Word 2 (as shown in [Table 16](#)) are set on the output bus on alternating clock phases. The test mode is enabled asynchronously to the sample clock, therefore several sample clock cycles may elapse before the data is present on the output bus.

### ADDRESS 0XC0: TEST\_IO

#### Bits 7:6 User Test Mode

These bits set the test mode to static (0x00) or alternate (0x01) mode. Other values are reserved.

The four LSBs in this register (Output Test Mode) determine the test pattern in combination with registers 0xC2 through 0xC5. Refer to [Table 16](#).

**TABLE 16. OUTPUT TEST MODES**

VALUE	0xC0[3:0] OUTPUT TEST MODE	WORD 1	WORD 2
0000	Off		
0001	Midscale	0x8000	N/A
0010	Positive Full-Scale	0xFFFF	N/A
0011	Negative Full-Scale	0x0000	N/A
0100	Checkerboard	0xAAAA	0x5555
0101	Reserved	N/A	N/A
0110	Reserved	N/A	N/A
0111	One/Zero	0xFFFF	0x0000
1000	User Pattern	user_patt1	user_patt2

### ADDRESS 0XC2: USER\_PATT1\_LSB

### ADDRESS 0XC3: USER\_PATT1\_MSB

These registers define the lower and upper eight bits, respectively, of the first user-defined test word.

### ADDRESS 0XC4: USER\_PATT2\_LSB

### ADDRESS 0XC5: USER\_PATT2\_MSB

These registers define the lower and upper eight bits, respectively, of the second user-defined test word.

# KAD5512HP

## SPI Memory Map

	ADDR (Hex)	PARAMETER NAME	BIT 7 (MSB)	BIT 6	BIT 5	BIT 4	BIT 3	BIT 2	BIT 1	BIT 0 (LSB)	DEF. VALUE (Hex)	INDEXED/ GLOBAL	
SPI CONFIG	00	Port_Config	SDO Active	LSB First	Soft Reset			Mirror (Bit 5)	Mirror (Bit 6)	Mirror (Bit 7)	00h	G	
	01	Reserved	Reserved										
	02	Burst_End	Burst end address [7:0]									00h	G
	03-07	Reserved	Reserved										
INFO	08	Chip_Id	Chip ID #									Read Only	G
	09	Chip_Version	Chip Version #									Read Only	G
INDEXED DEVICE CONFIG/CONTROL	10	Device_Index_A	Reserved						ADC01	ADC00	00h	I	
	11-1F	Reserved	Reserved										
	20	Offset_Coarse	Coarse Offset									Cal. Value	I
	21	Offset_Fine	Fine Offset									Cal. Value	I
	22	Gain_Coarse	Reserved				Coarse Gain				Cal. Value	I	
	23	Gain_Medium	Medium Gain									Cal. Value	I
	24	Gain_Fine	Fine Gain									Cal. Value	I
	25	Modes	Reserved					Power-Down Mode [2:0] 000 = Pin Control 001 = Normal Operation 010 = Nap 100 = Sleep Other Codes = Reserved			00h NOT Affected by Soft Reset	I	
	26-5F	Reserved	Reserved										
60-6F	Reserved	Reserved											
GLOBAL DEVICE CONFIG/CONTROL	70	Reserved	Reserved										
	71	Phase_Slip	Reserved						Next Clock Edge		00h	G	
	72		clock_divide					Clock Divide [2:0] 000 = Pin Control 001 = Divide by 1 010 = Divide by 2 100 = Divide by 4 Other Codes = Reserved			00h NOT Affected by Soft Reset	G	
	73	Output_Mode_A	Output Mode [2:0] 000 = Pin Control 001 = LVDS 2mA 010 = LVDS 3mA 100 = LVCMOS Other Codes = Reserved						Output Format [2:0] 000 = Pin Control 001 = Twos Complement 010 = Gray Code 100 = Offset Binary Other Codes = Reserved		00h NOT Affected by Soft Reset	G	
	74	Output_Mode_B		DLL Range 0 = Fast 1 = Slow		DDR Enable ( <a href="#">Note 15</a> )				00h NOT Affected by Soft Reset	G		
	75	Config_Status		XOR Result		XOR Result				Read Only	G		
	76-BF	Reserved	Reserved										

# KAD5512HP

## SPI Memory Map (Continued)

	ADDR (Hex)	PARAMETER NAME	BIT 7 (MSB)	BIT 6	BIT 5	BIT 4	BIT 3	BIT 2	BIT 1	BIT 0 (LSB)	DEF. VALUE (Hex)	INDEXED/ GLOBAL	
DEVICE TEST	C0	Test_io	User Test Mode [1:0] 00 = Single 01 = Alternate 10 = Reserved 11 = Reserved			Output Test Mode [3:0]  0 = Off 1 = Midscale Short 2 = +FS Short 3 = -FS Short 4 = Checker Board 5 = Reserved 6 = Reserved  7 = One/Zero Word Toggle 8 = User Input 9-15 = Reserved					00h	G	
	C1	Reserved	Reserved									00h	G
	C2	User_Patt 1_LSB	B7	B6	B5	B4	B3	B2	B1	B0	00h	G	
	C3	User_Patt1_MSB	B15	B14	B13	B12	B11	B10	B9	B8	00h	G	
	C4	User_Patt 2_LSB	B7	B6	B5	B4	B3	B2	B1	B0	00h	G	
	C5	User_Patt2_MSB	B15	B14	B13	B12	B11	B10	B9	B8	00h	G	
C6-FF	Reserved	Reserved											

### NOTE:

15. At power-up, the DDR Enable bit is at a logic '0' for the 72 Ld package and set to a logic '1' internally for the 48 Ld package by an internal pull-up.

## Equivalent Circuits

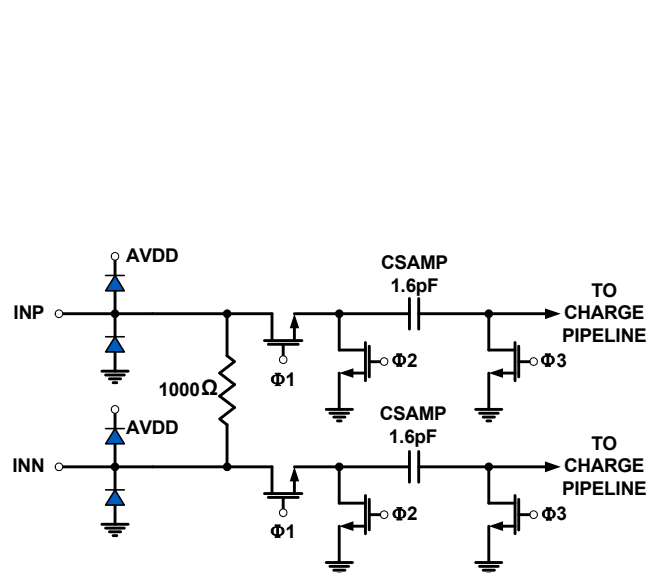


FIGURE 42. ANALOG INPUTS

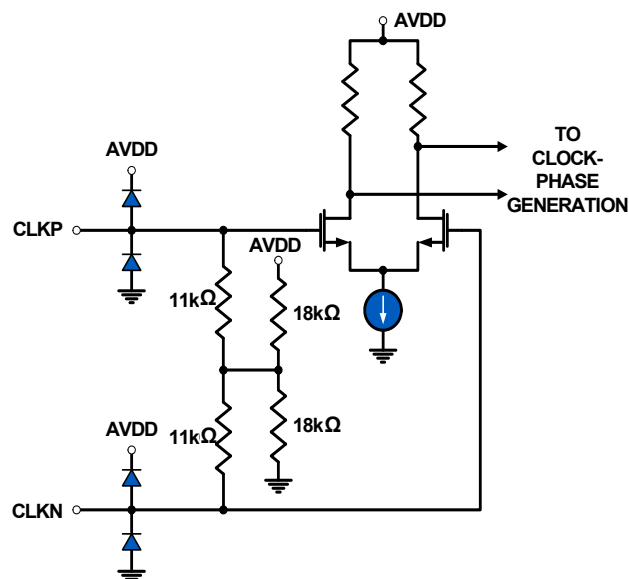


FIGURE 43. CLOCK INPUTS

## Equivalent Circuits (Continued)

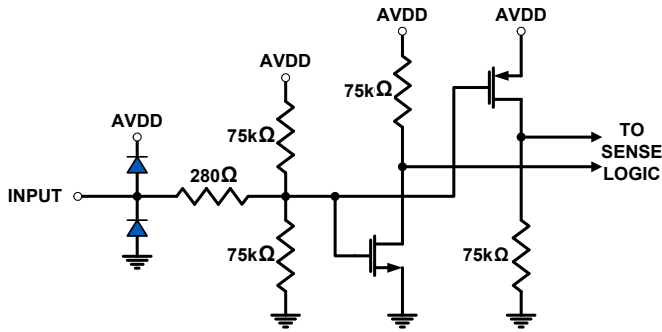


FIGURE 44. TRI-LEVEL DIGITAL INPUTS

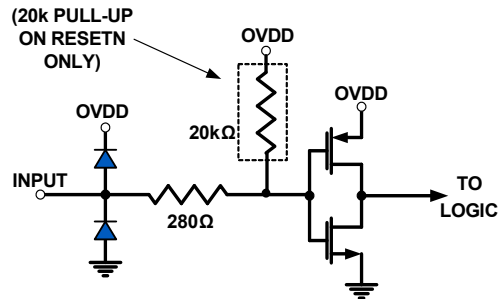


FIGURE 45. DIGITAL INPUTS

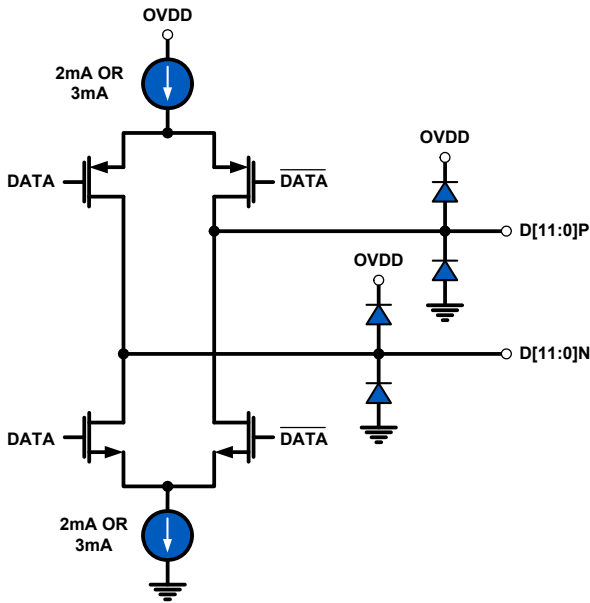


FIGURE 46. LVDS OUTPUTS

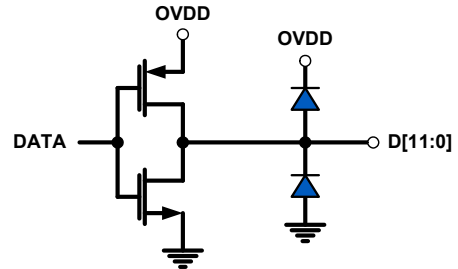


FIGURE 47. CMOS OUTPUTS

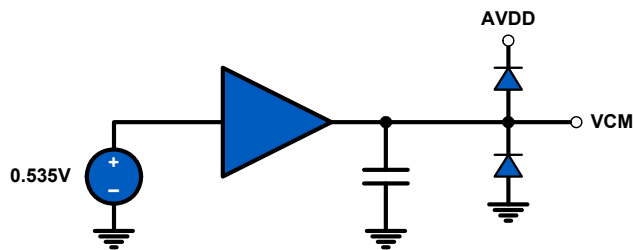


FIGURE 48. VCM\_OUT OUTPUT

## 72 Ld/48 Ld Package Options

The KAD5512HP is available in both 72 Ld and 48 Ld packages. The 48 Ld package option supports LVDS DDR only. A reduced set of pin selectable functions are available in the 48 Ld package due to the reduced pinout; (OUTMODE, OUTFMT and CLKDIV pins are not available). [Table 17](#) shows the default state for these functions for the 48 Ld package. Note that these functions are available through the SPI, allowing a user to set these modes as they desire, offering the same flexibility as the 72 Ld package

option. DC and AC performance of the ADC is equivalent for both package options.

TABLE 17. 48 LD SPI - ADDRESSABLE FUNCTIONS

FUNCTION	DESCRIPTION	DEFAULT STATE
CLKDIV	Clock Divider	Divide by 1
OUTMODE	Output Driver Mode	LVDS, 3mA (DDR)
OUTFMT	Data Coding	Two's Complement

## ADC Evaluation Platform

Intersil offers an ADC Evaluation platform which can be used to evaluate any of the KADxxxx ADC family. The platform consists of a FPGA based data capture motherboard and a family of ADC daughtercards. This USB based platform allows a user to quickly evaluate the ADC's performance at a user's specific application frequency requirements. More information is available at [http://www.intersil.com/converters/adc\\_eval\\_platform/](http://www.intersil.com/converters/adc_eval_platform/).

## Layout Considerations

### Split Ground and Power Planes

Data converters operating at high sampling frequencies require extra care in PC board layout. Many complex board designs benefit from isolating the analog and digital sections. Analog supply and ground planes should be laid out under signal and clock inputs. Locate the digital planes under outputs and logic pins. Grounds should be joined under the chip.

### Clock Input Considerations

Use matched transmission lines to the transformer inputs for the analog input and clock signals. Locate transformers and terminations as close to the chip as possible.

### Exposed Paddle

The exposed paddle must be electrically connected to analog ground (AVSS) and should be connected to a large copper plane using numerous vias for optimal thermal performance.

### Bypass and Filtering

Bulk capacitors should have low equivalent series resistance. Tantalum is a good choice. For best performance, keep ceramic bypass capacitors very close to device pins. Longer traces will increase inductance, resulting in diminished dynamic performance and accuracy. Make sure that connections to ground are direct and low impedance. Avoid forming ground loops.

### LVDS Outputs

Output traces and connections must be designed for 50Ω (100Ω differential) characteristic impedance. Keep traces direct and minimize bends where possible. Avoid crossing ground and power-plane breaks with signal traces.

### LVC MOS Outputs

Output traces and connections must be designed for 50Ω characteristic impedance.

### Unused Inputs

Standard logic inputs (RESETN, CSB, SCLK, SDIO, SDO), which will not be operated do not require connection to ensure optimal ADC performance. These inputs can be left floating if they are not used. Tri-level inputs (NAPSLP, OUTMODE, OUTFMT, CLKDIV) accept a floating input as a valid state, and therefore should be biased according to the desired functionality.

## Definitions

**Analog Input Bandwidth** is the analog input frequency at which the spectral output power at the fundamental frequency (as determined by FFT analysis) is reduced by 3dB from its full-scale low-frequency value. This is also referred to as full power bandwidth.

**Aperture Delay or Sampling Delay** is the time required after the rise of the clock input for the sampling switch to open, at which time the signal is held for conversion.

**Aperture Jitter** is the RMS variation in aperture delay for a set of samples.

**Clock Duty Cycle** is the ratio of the time the clock wave is at logic high to the total time of one clock period.

**Differential Nonlinearity (DNL)** is the deviation of any code width from an ideal 1 LSB step.

**Effective Number of Bits (ENOB)** is an alternate method of specifying Signal to Noise-and-Distortion Ratio (SINAD). In dB, it is calculated as:  $ENOB = (SINAD - 1.76)/6.02$

**Gain Error** is the ratio of the difference between the voltages that cause the lowest and highest code transitions to the full-scale voltage less 2 LSB. It is typically expressed in percent.

**Integral Nonlinearity (INL)** is the maximum deviation of the ADC's transfer function from a best fit line determined by a least squares curve fit of that transfer function, measured in units of LSBs.

**Least Significant Bit (LSB)** is the bit that has the smallest value or weight in a digital word. Its value in terms of input voltage is  $V_{FS}/(2^N - 1)$  where N is the resolution in bits.

**Missing Codes** are output codes that are skipped and will never appear at the ADC output. These codes cannot be reached with any input value.

**Most Significant Bit (MSB)** is the bit that has the largest value or weight.

**Pipeline Delay** is the number of clock cycles between the initiation of a conversion and the appearance at the output pins of the data.

**Power Supply Rejection Ratio (PSRR)** is the ratio of the observed magnitude of a spur in the ADC FFT, caused by an AC signal superimposed on the power supply voltage.

**Signal to Noise-and-Distortion (SINAD)** is the ratio of the RMS signal amplitude to the RMS sum of all other spectral components below one half the clock frequency, including harmonics but excluding DC.

**Signal-to-Noise Ratio** (without Harmonics) is the ratio of the RMS signal amplitude to the RMS sum of all other spectral components below one-half the sampling frequency, excluding harmonics and DC.

SNR and SINAD are either given in units of dB when the power of the fundamental is used as the reference, or dBFS (dB to full scale) when the converter's full-scale input power is used as the reference.

**Spurious-Free-Dynamic Range (SFDR)** is the ratio of the RMS signal amplitude to the RMS value of the largest spurious spectral component. The largest spurious spectral component may or may not be a harmonic.

# KAD5512HP

## Revision History

The revision history provided is for informational purposes only and is believed to be accurate, but not warranted. Please go to the web to make sure that you have the latest revision.

DATE	REVISION	CHANGE
May 31, 2016	FN6808.4	Updated datasheet to new Intersil standards Ordering Information table, added Note 3. Page 5 Thermal Information, added Theta JC value 0.8 for 72 Ld QFN package and Note 5 Electrical Spec table, 1.8V Analog Supply Voltage (IAVDD) - changed MAX values from: 180, 166, 153, 137 to: 190, 176, 163, 147 Nap Mode changed MAX values from: 163, 157, 151, 143 to: 170.2, 164.2, 158.2, 150.2 Updated 163 to 170.2 in "Nap/Sleep" on page 20.
May 29, 2009	FN6808.3	1) Added nap mode, sleep mode wake up times to spec table 2) Added CSB, SCLK Setup time specs for nap, sleep modes 3) Added section showing 72pin/48pin package feature differences and default state for clkdiv, outmode, outfmt page 29 4) Changed SPI setup time specs wording in spec table 5) Added 'Reserved' to SPI memory map at address 25H 6) Renumbered Notes 7) Added test platform link on page 30 8) Added DDR enable Note 15 for 48 pin/72 pin options 9) Changed pin description table for 72/48 pin option, added DDR notes 10) Changed multi device note in SPI physical interface section to show 3-wire application.page 23 11) Updated digital output section for DDR operation page 20 12) Change to Figures 24 and 25 and description in text 13) Added connect note for thermal pad 14) Formatted Figures 25 and 26 with Intersil Standards, 15) Added Pb-free reflow link, Over-temp reference in Min and Max and Note 16) Updated sleep mode Power spec 17) Change to SPI interface section in spec table, timing in cycles now, added write, read specific timing specs. 18) Updated SPI timing diagrams, Figures 36, 37 19) Updated wakeup time description in "Nap/Sleep" on page 20. 20) Removed calibration note in spec table 21) Updated cal paragraph in user initiated reset section per DC. 22) Removed "ADDRESS 0X70: SKEW_DIFF" and associated Table 11 from page 25. 23) Modified Note 6 from: "Parameters with MIN and/or MAX limits are 100% tested at +25 °C, unless otherwise specified. Temperature limits established by characterization and are not production tested." to: "Parameters with Min and/or MAX limits are 100% production tested at their worst case temperature extreme ( +85C)." 24) Removed reference to Note 9 in digital and switching specification table headers (Note 7 reads "The DLL Range setting must be changed for low speed operation. See Table 14 on page 26."
February 25, 2009	FN6808.2	Changed "odd" bits N in Figure 1A - DDR to "even" bits N, Replaced POD L48.7x7E due to changed dimension from "9.80 sq" to "6.80" sq. in land pattern
January 13, 2009	FN6808.1	P1; revised Key Specs. Features - 1st bullet; changed 2.5dB to 2.2dB P2; added Part Marking column to Order Info P4; Moved Thermal Impedance under Thermal Info (used to be on p. 8). Added Theta JA Note 3. P4-6; edits throughout the Elec Specs table. Revised Note 6. P6; Revised Digital Specs table (added VIH, VIL specs) P8; added Notes 9-10 to Switching Specs table. Removed ESD section P13-15; revised Performance Curves throughout P16; Functional Description section; revised 6th sentence of 1st paragraph P17; User Initiated Reset section; revised 2nd sentence of 1st paragraph P20; SPI section; revised 4th sentence of 1st paragraph P22; SPI Physical Interface; revised 2nd sentence of 4th paragraph P23; added last 2 sentences to 1st paragraph of "ADDRESS 0X24: GAIN_FINE". Revised Table 8 P24; revised last 2 sentence of "ADDRESS 0X71: PHASE_SLIP". Removed Figure of "PHASE SLIP: CLK÷2 MODE, fCLOCK = 500MHz" P27; revised Figure 45, Table 17; revised Bits7:4, Addr C0 Throughout; formatted graphics to Intersil standards
December 5, 2008	FN6808.0	Applied Intersil Standards
October 29, 2008	FN6808.0	Converted to intersil template. Assigned file number FN6808. Rev 0 - first release (as preliminary datasheet) with new file number.



# KAD5512HP

**Revision History** The revision history provided is for informational purposes only and is believed to be accurate, but not warranted. Please go to the web to make sure that you have the latest revision. **(Continued)**

DATE	REVISION	CHANGE
July 30, 2008	Rev 0	Initial Release of Production Datasheet

## About Intersil

Intersil Corporation is a leading provider of innovative power management and precision analog solutions. The company's products address some of the largest markets within the industrial and infrastructure, mobile computing and high-end consumer markets.

For the most updated datasheet, application notes, related documentation and related parts, please see the respective product information page found at [www.intersil.com](http://www.intersil.com).

You may report errors or suggestions for improving this datasheet by visiting [www.intersil.com/ask](http://www.intersil.com/ask).

Reliability reports are also available from our website at [www.intersil.com/support](http://www.intersil.com/support).

For additional products, see [www.intersil.com/en/products.html](http://www.intersil.com/en/products.html)

Intersil products are manufactured, assembled and tested utilizing ISO9001 quality systems as noted in the quality certifications found at [www.intersil.com/en/support/qualandreliability.html](http://www.intersil.com/en/support/qualandreliability.html)

*Intersil products are sold by description only. Intersil Corporation reserves the right to make changes in circuit design, software and/or specifications at any time without notice. Accordingly, the reader is cautioned to verify that data sheets are current before placing orders. Information furnished by Intersil is believed to be accurate and reliable. However, no responsibility is assumed by Intersil or its subsidiaries for its use; nor for any infringements of patents or other rights of third parties which may result from its use. No license is granted by implication or otherwise under any patent or patent rights of Intersil or its subsidiaries.*

For information regarding Intersil Corporation and its products, see [www.intersil.com](http://www.intersil.com)

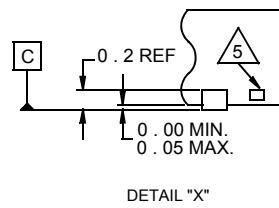
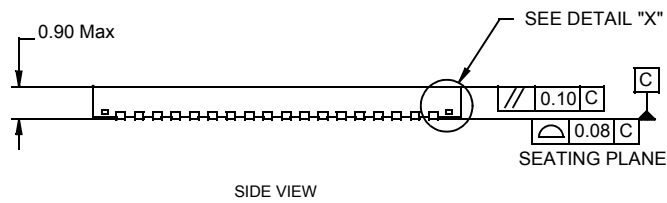
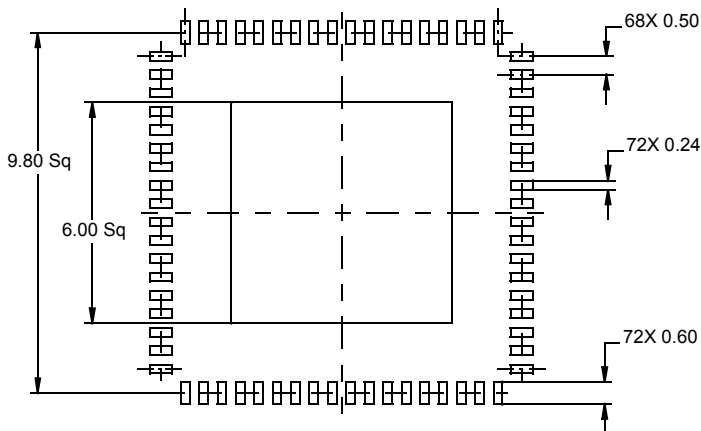
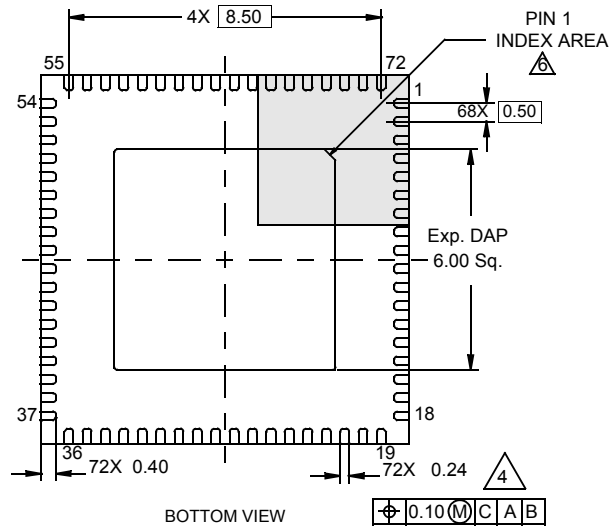
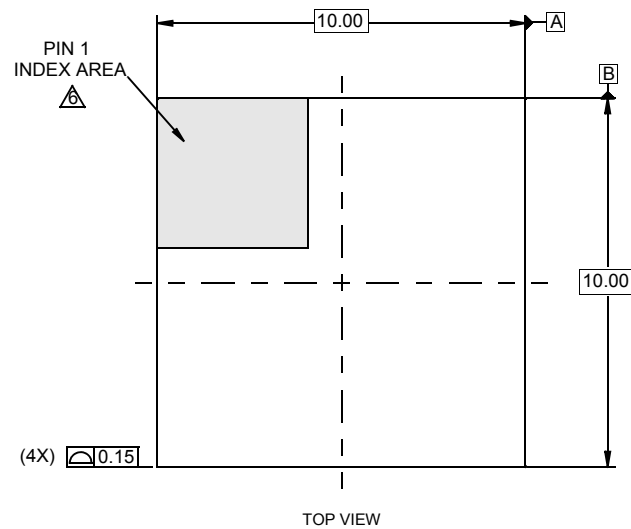


## Package Outline Drawing

L72.10x10D

72 LEAD QUAD FLAT NO-LEAD PLASTIC PACKAGE

Rev 1, 11/08



### NOTES:

1. Dimensions are in millimeters.  
Dimensions in ( ) for Reference Only.
2. Dimensioning and tolerancing conform to AMSEY14.5m-1994.
3. Unless otherwise specified, tolerance : Decimal  $\pm 0.05$
4. Dimension b applies to the metallized terminal and is measured between 0.15mm and 0.30mm from the terminal tip.
5. Tiebar shown (if present) is a non-functional feature.
6. The configuration of the pin #1 identifier is optional, but must be located within the zone indicated. The pin #1 identifier may be either a mold or mark feature.