

阅读申明

- 1.本站收集的数据手册和产品资料都来自互联网，版权归原作者所有。如读者和版权方有任何异议请及时告之，我们将妥善解决。
- 2.本站提供的中文数据手册是英文数据手册的中文翻译，其目的是协助用户阅读，该译文无法自动跟随原稿更新，同时也可能存在翻译上的不当。建议读者以英文原稿为参考以便获得更精准的信息。
- 3.本站提供的产品资料，来自厂商的技术支持或者使用者的心得体会等，其内容可能存在描述上的差异，建议读者做出适当判断。
- 4.如需与我们联系，请发邮件到marketing@iczoom.com，主题请标有“数据手册”字样。

Read Statement

1. The datasheets and other product information on the site are all from network reference or other public materials, and the copyright belongs to the original author and original published source. If readers and copyright owners have any objections, please contact us and we will deal with it in a timely manner.
2. The Chinese datasheets provided on the website is a Chinese translation of the English datasheets. Its purpose is for reader's learning exchange only and do not involve commercial purposes. The translation cannot be automatically updated with the original manuscript, and there may also be improper translations. Readers are advised to use the English manuscript as a reference for more accurate information.
3. All product information provided on the website refer to solutions from manufacturers' technical support or users the contents may have differences in description, and readers are advised to take the original article as the standard.
4. If you have any questions, please contact us at marketing@iczoom.com and mark the subject with "Datasheets" .

**NOT RECOMMENDED FOR NEW DESIGNS
POSSIBLE SUBSTITUTE PRODUCT
ISL263XX AND ISL267XX FAMILIES
www.intersil.com/converters/#products**

**Complete, 12-Bit A/D Converters with
Microprocessor Interface**

The HI-X74(A) is a complete 12-bit, Analog-to-Digital Converter, including a +10V reference clock, three-state outputs and a digital interface for microprocessor control. Successive approximation conversion is performed by two monolithic dice housed in a 28 lead package. The bipolar analog die features the Intersil Dielectric Isolation process, which provides enhanced AC performance and freedom from latch-up.

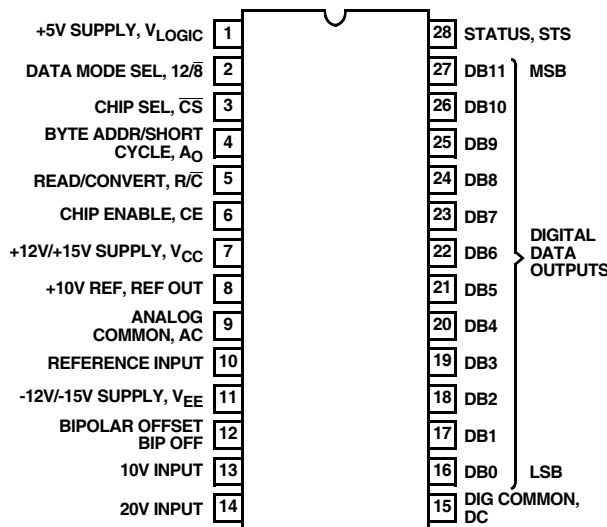
Custom design of each IC (bipolar analog and CMOS digital) has yielded improved performance over existing versions of this converter. The voltage comparator features high PSRR plus a high speed current-mode latch, and provides precise decisions down to 0.1 LSB of input overdrive. More than 2X reduction in noise has been achieved by using current instead of voltage for transmission of all signals between the analog and digital ICs. Also, the clock oscillator is current controlled for excellent stability over temperature.

The HI-X74(A) offers standard unipolar and bipolar input ranges, laser trimmed for specified linearity, gain and offset accuracy. The low noise buried zener reference circuit is trimmed for minimum temperature coefficient.

Power requirements are +5V and ±12V to ±15V, with typical dissipation of 385mW (HI-574A, HI-674A) at 12V.

Pinout

**HI-574A, HI-674A
(28 LD PDIP, SBDIP)
TOP VIEW**



Features

- Complete 12-Bit A/D Converter with Reference and Clock
- Full 8-Bit, 12-Bit or 16-Bit Microprocessor Bus Interface
- Bus Access Time 150ns
- No Missing Codes Over Temperature
- Minimal Setup Time for Control Signals
- Fast Conversion Times
 - HI-574A (Max) 25µs
 - HI-674A (Max) 15µs
- Low Noise, via Current-Mode Signal Transmission Between Chips
- Byte Enable/Short Cycle (A₀ Input)
 - Guaranteed Break-Before-Make Action, Eliminating Bus Contention During Read Operation. Latched by Start Convert Input (To Set the Conversion Length)
- Supply Voltage ±12V to ±15V
- Pb-Free Available (RoHS Compliant)

Applications

- Military and Industrial Data Acquisition Systems
- Electronic Test and Scientific Instrumentation
- Process Control Systems

HI-574A, HI-674A

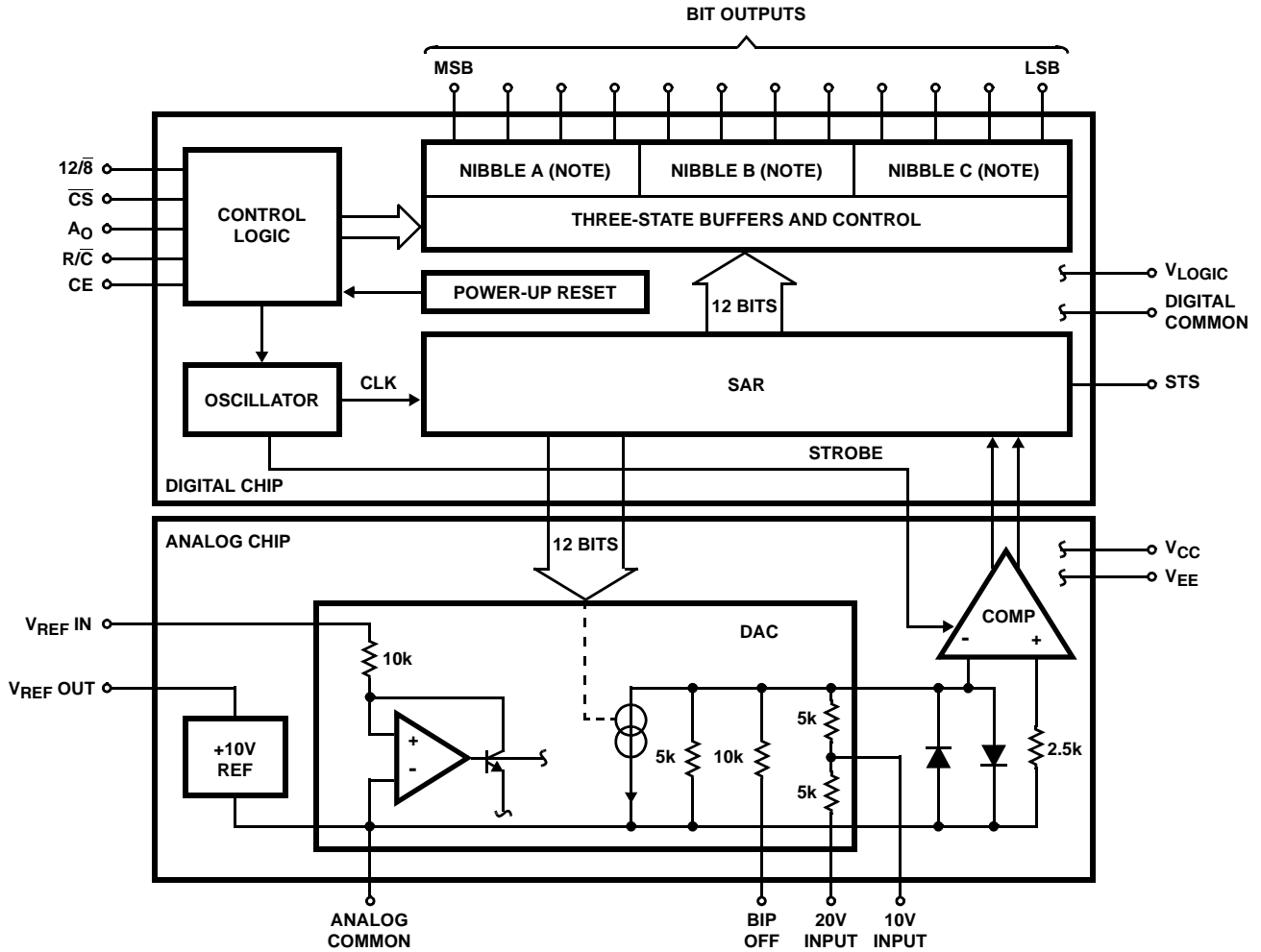
Ordering Information

PART NUMBER	PART MARKING	INL	TEMPERATURE RANGE (°C)	PACKAGE	PKG. DWG. #
HI3-574AJN-5	HI3-574AJN-5	±1.0 LSB	0 to +75	28 Ld PDIP	E28.6
HI3-574AJN-5Z (Notes 1, 3)	HI3-574AJN-5Z	±1.0 LSB	0 to +75	28 Ld PDIP (Pb-Free)	E28.6
HI3-574AKN-5	HI3-574AKN-5	±0.5 LSB	0 to +75	28 Ld PDIP	E28.6
HI3-574AKN-5Z (Notes 1, 3)	HI3-574AKN-5Z	±0.5 LSB	0 to +75	28 Ld PDIP (Pb-Free)	E28.6
HI1-574AJD-5 (Note 2)	HI1-574AJD -5	±1.0 LSB	0 to +75	28 Ld SBDIP (Pb-Free)	D28.6
HI1-574AKD-5 (Note 2)	HI1-574AKD -5	±0.5 LSB	0 to +75	28 Ld SBDIP (Pb-Free)	D28.6
HI1-574ASD-2 (Note 2)	HI1-574ASD -2	±1.0 LSB	-55 to +125	28 Ld SBDIP (Pb-Free)	D28.6
HI1-574ATD-2 (Note 2)	HI1-574ATD-2	±0.5 LSB	-55 to +125	28 Ld SBDIP (Pb-Free)	D28.6
HI3-674AJN-5	HI3-674AJN-5	±1.0 LSB	0 to +75	28 Ld PDIP	E28.6
HI3-674AJN-5Z (Notes 1, 3)	HI3-674AJN-5Z	±1.0 LSB	0 to +75	28 Ld PDIP (Pb-Free)	E28.6
HI3-674AKN-5	HI3-674AKN-5	±0.5 LSB	0 to +75	28 Ld PDIP	E28.6
HI3-674AKN-5Z (Notes 1, 3)	HI3-674AKN-5Z	±0.5 LSB	0 to +75	28 Ld PDIP (Pb-Free)	E28.6
HI1-674AKD-5 (Note 2)	HI1-674AKD -5	±0.5 LSB	0 to +75	28 Ld SBDIP (Pb-Free)	D28.6
HI1-674ATD/883 (Note 2)	HI1-674ATD /883	±0.5 LSB	-55 to +125	28 Ld SBDIP (Pb-Free)	D28.6

NOTES:

1. Pb-free PDIPs can be used for through hole wave solder processing only. They are not intended for use in Reflow solder processing applications.
2. These Intersil Pb-free Hermetic packaged products employ 100% Au plate - e4 termination finish, which is RoHS compliant and compatible with both SnPb and Pb-free soldering operations.
3. These Intersil Pb-free plastic packaged products employ special Pb-free material sets, molding compounds/die attach materials, and 100% matte tin plate plus anneal (e3 termination finish, which is RoHS compliant and compatible with both SnPb and Pb-free soldering operations). Intersil Pb-free products are MSL classified at Pb-free peak reflow temperatures that meet or exceed the Pb-free requirements of IPC/JEDEC J STD-020.

Functional Block Diagram



NOTE: "Nibble" is a 4-bit digital word.

HI-574A, HI-674A

Absolute Maximum Ratings

Supply Voltage	
V_{CC} to Digital Common	0V to +16.5V
V_{EE} to Digital Common	0V to -16.5V
V_{LOGIC} to Digital Common	0V to +7V
Analog Common to Digital Common	$\pm 1V$
Control Inputs	
(CE, \overline{CS} , A_0 , $12/\overline{8}$, R/\overline{C}) to Digital Common	-0.5V to $V_{LOGIC} + 0.5V$
Analog Inputs	
(REFIN, BIPOFF, 10VIN) to Analog Common	$\pm 16.5V$
20VIN to Analog Common	$\pm 24V$
REFOUT	Indefinite Short To Common, Momentary Short To V_{CC}

Operating Conditions

Temperature Range	
HI3-574Axx-5, HI1-674Axx-5	0°C to +75°C
HI1-574AxD-2, HI1-674AxD-2	-55°C to +125°C

Thermal Information

Thermal Resistance (Typical, Note 4)	θ_{JA} (°C/W)	θ_{JC} (°C/W)
SBDIP Package	55	18
PDIP Package*	60	N/A

Maximum Junction Temperature

PDIP Package	+150°C
SBDIP Package	+175°C

Maximum Storage Temperature Range

PDIP Package	-40°C to +85°C
SBDIP Package	-65°C to +150°C

Pb-Free Reflow Profile

see link below
<http://www.intersil.com/pbfree/Pb-FreeReflow.asp>
 *Pb-free PDIPs can be used for through hole wave solder processing only. They are not intended for use in Reflow solder processing applications.

Die Characteristics

Transistor Count	
HI-574A, HI-674A	1117

CAUTION: Do not operate at or near the maximum ratings listed for extended periods of time. Exposure to such conditions may adversely impact product reliability and result in failures not covered by warranty.

NOTE:

- θ_{JA} is measured with the component mounted on a low effective thermal conductivity test board in free air. See Tech Brief TB379 for details.

DC and Transfer Accuracy Specifications

Typical at +25°C with $V_{CC} = +15V$ or +12V, $V_{LOGIC} = +5V$, $V_{EE} = -15V$ or -12V;
 Parameters with MIN and/or MAX limits are 100% tested at +25°C, unless otherwise specified. Temperature limits established by characterization and are not production tested.

PARAMETER	TEMPERATURE RANGE -5 (0°C to +75°C)		UNITS
	J SUFFIX	K SUFFIX	
DYNAMIC CHARACTERISTICS			
Resolution (Max)	12	12	Bits
Linearity Error			
+25°C (Max)	± 1	$\pm 1/2$	LSB
0°C to +75°C (Max)	± 1	$\pm 1/2$	LSB
Max Resolution For Which No Missing Codes Is Guaranteed			
+25°C	12	12	Bits
T_{MIN} to T_{MAX}	11	12	Bits
Unipolar Offset (Max)			
Adjustable to Zero	± 2	± 1.5	LSB
Bipolar Offset (Max)			
$V_{IN} = 0V$ (Adjustable to Zero)	± 4	± 4	LSB
$V_{IN} = -10V$	± 0.15	± 0.1	% of FS
Full Scale Calibration Error			
+25°C (Max), With Fixed 50Ω Resistor From REF OUT To REF IN (Adjustable to Zero)	± 0.25	± 0.25	% of FS
T_{MIN} to T_{MAX} (No Adjustment At +25°C)	± 0.475	± 0.375	% of FS
T_{MIN} to T_{MAX} (With Adjustment To Zero +25°C)	± 0.22	± 0.12	% of FS

HI-574A, HI-674A

DC and Transfer Accuracy Specifications

Typical at +25°C with $V_{CC} = +15V$ or $+12V$, $V_{LOGIC} = +5V$, $V_{EE} = -15V$ or $-12V$;
Parameters with MIN and/or MAX limits are 100% tested at +25°C, unless otherwise
specified. Temperature limits established by characterization and are not
production tested. **(Continued)**

PARAMETER	TEMPERATURE RANGE -5 (0°C to +75°C)		UNITS
	J SUFFIX	K SUFFIX	
Temperature Coefficients Guaranteed Max Change, T_{MIN} to T_{MAX} (Using Internal Reference)			
Unipolar Offset	±2	±1	LSB
Bipolar Offset	±2	±1	LSB
Full Scale Calibration	±9	±2	LSB
Power Supply Rejection Max Change In Full Scale Calibration			
+13.5V < V_{CC} < +16.5V or +11.4V < V_{CC} < +12.6V	±2	±1	LSB
+4.5V < V_{LOGIC} < +5.5V	± ¹ / ₂	± ¹ / ₂	LSB
-16.5V < V_{EE} < -13.5V or -12.6V < V_{EE} < -11.4V	±2	±1	LSB
ANALOG INPUTS			
Input Ranges			
Bipolar	-5 to +5 (Note 6)		V
	-10 to +10 (Note 7)		V
Unipolar	0 to +10 (Note 6)		V
	0 to +20 (Note 7)		V
Input Impedance			
10V Span	5k, ±25%		Ω
20V Span	10k, ±25%		Ω
POWER SUPPLIES			
Operating Voltage Range			
V_{LOGIC}	+4.5 to +5.5		V
V_{CC}	+11.4 to +16.5		V
V_{EE}	-11.4 to -16.5		V
Operating Current			
I_{LOGIC}	7 Typ, 15 Max		mA
I_{CC} +15V Supply	11 Typ, 15 Max		mA
I_{EE} -15V Supply	21 Typ, 28 Max		mA
Power Dissipation			
±15V, +5V	515 Typ, 720 Max		mW
±12V, +5V	385 Typ		mW
Internal Reference Voltage			
T_{MIN} to T_{MAX}	+10.00 ±0.05 Max		V
Output Current, Available For External Loads (External Load Should Not Change During Conversion).	2.0 Max		mA

HI-574A, HI-674A

DC and Transfer Accuracy Specifications

Typical at +25°C with $V_{CC} = +15V$ or $+12V$, $V_{LOGIC} = +5V$, $V_{EE} = -15V$ or $-12V$;
Parameters with MIN and/or MAX limits are 100% tested at +25°C, unless otherwise
specified. Temperature limits established by characterization and are not
production tested. **(Continued)**

PARAMETER	TEMPERATURE RANGE -2 (-55°C to +125°C)		UNITS
	S SUFFIX	T SUFFIX	
DYNAMIC CHARACTERISTICS			
Resolution (Max)	12	12	Bits
Linearity Error			
+25°C	±1	±1/2	LSB
-55°C to +125°C (Max)	±1	±1	LSB
Max Resolution For Which No Missing Codes Is Guaranteed			
+25°C	12	12	Bits
T_{MIN} to T_{MAX}	11	12	Bits
Unipolar Offset (Max)			
Adjustable to Zero	±2	±1.5	LSB
Bipolar Offset (Max)			
$V_{IN} = 0V$ (Adjustable to Zero)	±4	±4	LSB
$V_{IN} = -10V$	±0.15	±0.1	% of FS
Full Scale Calibration Error			
+25°C (Max), With Fixed 50Ω Resistor From REF OUT To REF IN (Adjustable To Zero)	±0.25	±0.25	% of FS
T_{MIN} to T_{MAX} (No Adjustment At +25°C)	±0.75	±0.50	% of FS
T_{MIN} to T_{MAX} (With Adjustment To Zero At +25°C)	±0.50	±0.25	% of FS
Temperature Coefficients			
Guaranteed Max Change, T_{MIN} to T_{MAX} (Using Internal Reference)			
Unipolar Offset	±2	±1	LSB
Bipolar Offset	±2	±2	LSB
Full Scale Calibration	±20	±10	LSB
Power Supply Rejection Max Change In Full Scale Calibration			
+13.5V < V_{CC} < +16.5V or +11.4V < V_{CC} < +12.6V	±2	±1	LSB
+4.5V < V_{LOGIC} < +5.5V	±1/2	±1/2	LSB
-16.5V < V_{EE} < -13.5V or -12.6V < V_{EE} < -11.4V	±2	±1	LSB
ANALOG INPUTS			
Input Ranges			
Bipolar			
-5 to +5 (Note 6)			V
-10 to +10 (Note 7)			V
Unipolar			
0 to +10 (Note 6)			V
0 to +20 (Note 7)			V
Input Impedance			
10V Span	5k, ±25%		Ω
20V Span	10k, ±25%		Ω
POWER SUPPLIES			
Operating Voltage Range			
V_{LOGIC}	+4.5 to +5.5		V
V_{CC}	+11.4 to +16.5		V
V_{EE}	-11.4 to -16.5		V

HI-574A, HI-674A

DC and Transfer Accuracy Specifications Typical at +25°C with $V_{CC} = +15V$ or +12V, $V_{LOGIC} = +5V$, $V_{EE} = -15V$ or -12V; Parameters with MIN and/or MAX limits are 100% tested at +25°C, unless otherwise specified. Temperature limits established by characterization and are not production tested. **(Continued)**

PARAMETER	TEMPERATURE RANGE -2 (-55°C to +125°C)		UNITS
	S SUFFIX	T SUFFIX	
Operating Current			
I_{LOGIC}	7 Typ, 15 Max		mA
I_{CC} +15V Supply	11 Typ, 15 Max		mA
I_{EE} -15V Supply	21 Typ, 28 Max		mA
Power Dissipation			
±15V, +5V	515 Typ, 720 Max		mW
±12V, +5V	385 Typ		mW
Internal Reference Voltage			
T_{MIN} to T_{MAX}	+10.00 ±0.05 Max		V
Output current, available for external loads (external load should not change during conversion).	2.0 Max		mA

Digital Specifications All Models, Over Full Temperature Range; Parameters with MIN and/or MAX limits are 100% tested at +25°C, unless otherwise specified. Temperature limits established by characterization and are not production tested.

PARAMETER	MIN	TYP	MAX
Logic Inputs (CE, \overline{CS} , R/\overline{C} , A_O , 12/8)			
Logic "1"	+2.4V	-	+5.5V
Logic "0"	-0.5V	-	+0.8V
Current	-	±0.1µA	±5µA
Capacitance	-	5pF	-
Logic Outputs (DB11-DB0, STS)			
Logic "0" ($I_{SINK} - 1.6mA$)	-	-	+0.4V
Logic "1" ($I_{SOURCE} - 500µA$)	+2.4V	-	-
Logic "1" ($I_{SOURCE} - 10µA$)	+4.5V	-	-
Leakage (High-Z State, DB11-DB0 Only)	-	±0.1µA	±5µA
Capacitance	-	5pF	-

Timing Specifications (HI-574A) +25°C, Note 5, Unless Otherwise Specified.

SYMBOL	PARAMETER	MIN	TYP	MAX	UNITS	
CONVERT MODE						
t_{DSC}	STS Delay from CE	-	-	200	ns	
t_{HEC}	CE Pulse Width	50	-	-	ns	
t_{SSC}	\overline{CS} to CE Setup	50	-	-	ns	
t_{HSC}	\overline{CS} Low During CE High	50	-	-	ns	
t_{SRC}	R/\overline{C} to CE Setup	50	-	-	ns	
t_{HRC}	R/\overline{C} Low During CE High	50	-	-	ns	
t_{SAC}	A_O to CE Setup	0	-	-	ns	
t_{HAC}	A_O Valid During CE High	50	-	-	ns	
t_C	Conversion Time	12-Bit Cycle T_{MIN} to T_{MAX}	15	20	25	µs
		8-Bit Cycle T_{MIN} to T_{MAX}	10	13	17	µs

HI-574A, HI-674A

Timing Specifications (HI-574A) +25°C, Note 5, Unless Otherwise Specified. (Continued)

SYMBOL	PARAMETER	MIN	TYP	MAX	UNITS
READ MODE					
t _{DD}	Access Time from CE	-	75	150	ns
t _{HD}	Data Valid After CE Low	25	-	-	ns
t _{HL}	Output Float Delay	-	100	150	ns
t _{SSR}	\overline{CS} to CE Setup	50	-	-	ns
t _{SRR}	R/ \overline{C} to CE Setup	0	-	-	ns
t _{SAR}	A _O to CE Setup	50	-	-	ns
t _{HSR}	\overline{CS} Valid After CE Low	0	-	-	ns
t _{HRR}	R/ \overline{C} High After CE Low	0	-	-	ns
t _{HAR}	A _O Valid After CE Low	50	-	-	ns
t _{HS}	STS Delay After Data Valid	300	-	1200	ns

Timing Specifications (HI-674A) +25°C, Note 5, Unless Otherwise Specified.

SYMBOL	PARAMETER	MIN	TYP	MAX	UNITS	
CONVERT MODE						
t _{DSC}	STS Delay from CE	-	-	200	ns	
t _{HEC}	CE Pulse Width	50	-	-	ns	
t _{SSC}	\overline{CS} to CE Setup	50	-	-	ns	
t _{HSC}	\overline{CS} Low During CE High	50	-	-	ns	
t _{SRC}	R/ \overline{C} to CE Setup	50	-	-	ns	
t _{HRC}	R/ \overline{C} Low During CE High	50	-	-	ns	
t _{SAC}	A _O to CE Setup	0	-	-	ns	
t _{HAC}	A _O Valid During CE High	50	-	-	ns	
t _C	Conversion Time	12-Bit Cycle T _{MIN} to T _{MAX}	8	12	15	μs
		8-Bit Cycle T _{MIN} to T _{MAX}	5	8	10	μs
READ MODE						
t _{DD}	Access Time from CE	-	75	150	ns	
t _{HD}	Data Valid After CE Low	25	-	-	ns	
t _{HL}	Output Float Delay	-	100	150	ns	
t _{SSR}	\overline{CS} to CE Setup	50	-	-	ns	
t _{SRR}	R/ \overline{C} to CE Setup	0	-	-	ns	
t _{SAR}	A _O to CE Setup	50	-	-	ns	
t _{HSR}	\overline{CS} Valid After CE Low	0	-	-	ns	
t _{HRR}	R/ \overline{C} High After CE Low	0	-	-	ns	
t _{HAR}	A _O Valid After CE Low	50	-	-	ns	
t _{HS}	STS Delay After Data Valid	25	-	850	ns	

NOTES:

5. Time is measured from 50% level of digital transitions. Tested with a 50pF and 3kΩ load.
6. For the "10V Input", Pin 13.
7. For the "20V Input", Pin 14.

Pin Descriptions

PIN	SYMBOL	DESCRIPTION
1	V _{LOGIC}	Logic supply pin (+5V)
2	12/8	Data Mode Select - Selects between 12-bit and 8-bit output modes.
3	\overline{CS}	Chip Select - Chip Select high disables the device.
4	A _O	Byte Address/Short Cycle - See Table 3 for operation.
5	R/ \overline{C}	Read/Convert - See Table 3 for operation.
6	CE	Chip Enable - Chip Enable low disables the device.
7	V _{CC}	Positive Supply (+12V/+15V)
8	REF OUT	+10V Reference
9	AC	Analog Common
10	REF IN	Reference Input
11	V _{EE}	Negative Supply (-12V/-15V).
12	BIP OFF	Bipolar Offset
13	10V Input	10V Input - Used for 0V to 10V and -5V to +5V input ranges.
14	20V Input	20V Input - Used for 0V to 20V and -10V to +10V input ranges.
15	DC	Digital Common
16	DB0	Data Bit 0 (LSB)
17	DB1	Data Bit 1
18	DB2	Data Bit 2
19	DB3	Data Bit 3
20	DB4	Data Bit 4
21	DB5	Data Bit 5
22	DB6	Data Bit 6
23	DB7	Data Bit 7
24	DB8	Data Bit 8
25	DB9	Data Bit 9
26	DB10	Data Bit 10
27	DB11	Data Bit 11 (MSB)
28	STS	Status Bit - Status high implies a conversion is in progress.

Definitions of Specifications

Linearity Error

Linearity error refers to the deviation of each individual code from a line drawn from “zero” through “full scale”. The point used as “zero” occurs $1/2$ LSB (1.22mV for 10V span) before the first code transition (all zeros to only the LSB “on”). “Full scale” is defined as a level $1 1/2$ LSB beyond the last code transition (to all ones). The deviation of a code from the true straight line is measured from the middle of each particular code.

The HI-X74AK grade is guaranteed for maximum nonlinearity of $\pm 1/2$ LSB. For this grade, this means that an analog value which falls exactly in the center of a given code width will result in the correct digital output code. Values nearer the upper or lower transition of the code width may produce the next upper or lower digital output code. The HI-X74AJ is guaranteed to ± 1 LSB max error. For this grade, an analog value which falls within a given code width will result in either the correct code for that region or either adjacent one.

Note that the linearity error is not user-adjustable.

Differential Linearity Error (No Missing Codes)

A specification which guarantees no missing codes requires that every code combination appear in a monotonic increasing sequence as the analog input level is increased. Thus every code must have a finite width. For the HI-X74AK grade, which guarantees no missing codes to 12-bit resolution, all 4096 codes must be present over the entire operating temperature ranges. The HI-X74AJ grade guarantees no missing codes to 11-bit resolution over temperature; this means that all code combinations of the upper 11 bits must be present; in practice very few of the 12-bit codes are missing.

Unipolar Offset

The first transition should occur at a level $1/2$ LSB above analog common. Unipolar offset is defined as the deviation of the actual transition from that point. This offset can be adjusted as discussed on the following pages. The unipolar offset temperature coefficient specifies the maximum change of the transition point over temperature, with or without external adjustment.

Bipolar Offset

Similarly, in the bipolar mode, the major carry transition (0111 1111 1111 to 1000 0000 0000) should occur for an analog value $1/2$ LSB below analog common. The bipolar offset error and temperature coefficient specify the initial deviation and maximum change in the error over temperature.

Full Scale Calibration Error

The last transition (from 1111 1111 1110 to 1111 1111 1111) should occur for an analog value $1 1/2$ LSB below the nominal full scale (9.9963V for 10.000V full scale). The full scale calibration error is the deviation of the actual level at the last transition from the ideal level. This error, which is typically 0.05 to 0.1% of full scale, can be trimmed out as shown in Figures 1 and 2. The full scale calibration error over temperature is given with and without the initial error trimmed out. The temperature coefficients for each grade indicate the maximum change in the full scale gain from the initial value using the internal 10V reference.

Temperature Coefficients

The temperature coefficients for full-scale calibration, unipolar offset, and bipolar offset specify the maximum change from the initial (25°C) value to the value at T_{MIN} or T_{MAX} .

Power Supply Rejection

The standard specifications for the HI-X74A assume use of +5.00V and $\pm 15.00V$ or $\pm 12.00V$ supplies. The only effect of power supply error on the performance of the device will be a small change in the full scale calibration. This will result in a linear change in all lower order codes. The specifications show the maximum change in calibration from the initial value with the supplies at the various limits.

Code Width

A fundamental quantity for A/D converter specifications is the code width. This is defined as the range of analog input values for which a given digital output code will occur. The nominal value of a code width is equivalent to 1 least significant bit (LSB) of the full scale range or 2.44mV out of 10V for a 12-bit ADC.

Quantization Uncertainty

Analog-to-digital converters exhibit an inherent quantization uncertainty of $\pm 1/2$ LSB. This uncertainty is a fundamental characteristic of the quantization process and cannot be reduced for a converter of given resolution.

Left-Justified Data

The data format used in the HI-X74A is left-justified. This means that the data represents the analog input as a fraction of full-scale, ranging from 0 to $\frac{4095}{4096}$. This implies a binary point to the left of the MSB.

Applying the HI-X74A

For each application of this converter, the ground connections, power supply bypassing, analog signal source, digital timing and signal routing on the circuit board must be optimized to assure maximum performance. These areas are reviewed in the following sections, along with basic operating modes and calibration requirements.

Physical Mounting and Layout Considerations

LAYOUT

Unwanted, parasitic circuit components, (L, R, and C) can make 12-bit accuracy impossible, even with a perfect A/D converter. The best policy is to eliminate or minimize these parasitics through proper circuit layout, rather than try to quantify their effects.

The recommended construction is a double-sided printed circuit board with a ground plane on the component side. Other techniques, such as wire-wrapping or point-to-point wiring on vector board, will have an unpredictable effect on accuracy.

In general, sensitive analog signals should be routed between ground traces and kept well away from digital lines. If analog and digital lines must cross, they should do so at right angles.

Power Supplies

Supply voltages to the HI-X74A (+15V, -15V and +5V) must be "quiet" and well regulated. Voltage spikes on these lines can affect the converter's accuracy, causing several LSBs to flicker when a constant input is applied. Digital noise and spikes from a switching power supply are especially troublesome. If switching supplies must be used, outputs should be carefully filtered to assure "quiet" DC voltage at the converter terminals.

Further, a bypass capacitor pair on each supply voltage terminal is necessary to counter the effect of variations in supply current. Connect one pair from pin 1 to 15 (V_{LOGIC} supply), one from pin 7 to 9 (V_{CC} to Analog Common) and one from pin 11 to 9 (V_{EE} to Analog Common). For each capacitor pair, a 10 μ F tantalum type in parallel with a 0.1 μ F ceramic type is recommended.

Ground Connections

Pins 9 and 15 should be tied together at the package to guarantee specified performance for the converter. In addition, a wide PC trace should run directly from pin 9 to (usually) +15V common, and from pin 15 to (usually) the +5V Logic Common. If the converter is located some distance from the system's "single point" ground, make only these connections to pins 9 and 15: Tie them together at the package, and back to the system ground with a single path. This path should have low resistance. (Code dependent currents flow in the V_{CC} , V_{EE} and V_{LOGIC} terminals, but not through the HI-X74A's Analog Common or Digital Common).

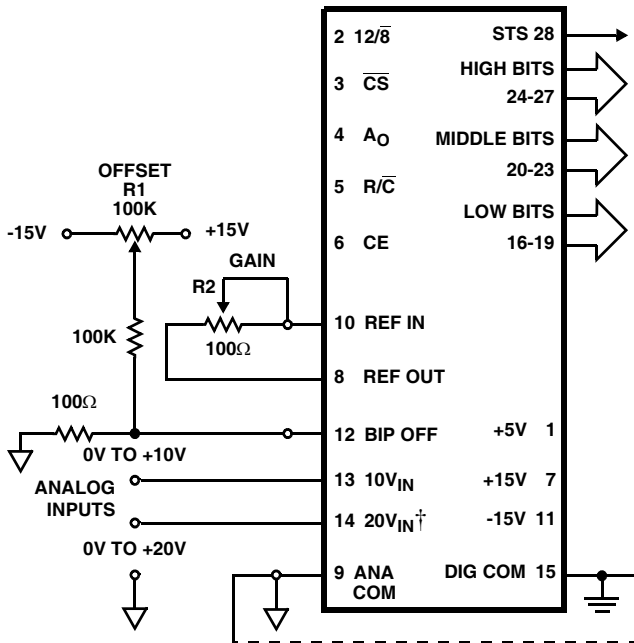
Analog Signal Source

HI-574A and HI-674A

The device chosen to drive the HI-X74A analog input will see a nominal load of 5k Ω (10V range) or 10k Ω (20V range). However, the other end of these input resistors may change $\pm 400mV$ with each bit decision, creating abrupt changes in current at the analog input. Thus, the signal source must maintain its output voltage while furnishing these step changes in load current, which occur at 1.6 μ s and 950ns intervals for the HI-574A and HI-674A, respectively. This requires low output impedance and fast settling by the signal source.

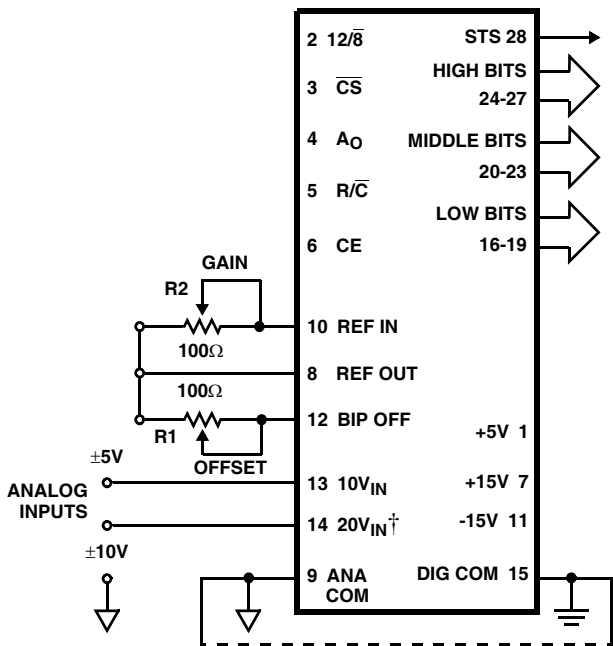
The output impedance of an op amp, for example, has an open loop value which, in a closed loop, is divided by the loop gain available at a frequency of interest. The amplifier should have acceptable loop gain at 600kHz for use with the HI-X74A. To check whether the output properties of a signal source are suitable, monitor the HI-X74A's input (pin 13 or 14) with an oscilloscope while a conversion is in progress. Each of the twelve disturbances should subside in 1 μ s or less for the HI-574A and 500ns or less for the HI-674A. (The comparator decision is made about 1.5 μ s and 850ns after each code change from the SAR for the HI-574A and HI-674A, respectively.)

If the application calls for a Sample/Hold to precede the converter, it should be noted that not all Sample/Holds are compatible with the HI-574A in the manner described above. These will require an additional wideband buffer amplifier to lower their output impedance. A simpler solution is to use the Intersil HA-5320 Sample/Hold, which was designed for use with the HI-574A.



† When driving the 20V (pin 14) input, minimize capacitance on pin 13.

FIGURE 1. UNIPOLAR CONNECTIONS



† When driving the 20V (pin 14) input, minimize capacitance on pin 13.

FIGURE 2. BIPOLAR CONNECTIONS

Range Connections and Calibration Procedures

The HI-X74A is a “complete” A/D converter, meaning it is fully operational with addition of the power supply voltages, a Start Convert signal, and a few external components as shown in Figures 1 and 2. Nothing more is required for most applications.

Whether controlled by a processor or operating in the stand-alone mode, the HI-X74A offers four standard input ranges: 0V to +10V, 0V to +20V, ±5V and ±10V. The maximum errors for gain and offset are listed under Specifications. If required, however, these errors may be adjusted to zero as explained below. Power supply and ground connections have been discussed in an earlier section.

Unipolar Connections and Calibration

Refer to Figure 1. The resistors shown (see Note below) are for calibration of offset and gain. If this is not required, replace R2 with a 50Ω, 1% metal film resistor and remove the network on pin 12. Connect pin 12 to pin 9. Then, connect the analog signal to pin 13 for the 0V to 10V range, or to pin 14 for the 0V to 20V range. Inputs to +20V (5V over the power supply) are no problem - the converter operates normally.

Calibration consists of adjusting the converter’s most negative output to its ideal value (offset adjustment), then, adjusting the most positive output to its ideal value (gain adjustment). To understand the procedure, note that in principle, one is setting the output with respect to the midpoint of an increment of analog input, as denoted by two adjacent code changes. Nominal value of an increment is one LSB. However, this approach is impractical because nothing “happens” at a midpoint to indicate that an adjustment is complete. Therefore, calibration is performed in terms of the observable code changes instead of the midpoint between code changes.

For example, midpoint of the first LSB increment should be positioned at the origin, with an output code of all 0’s. To do this, apply an input of $+1/2$ LSB (+1.22mV for the 10V range; +2.44mV for the 20V range). Adjust the Offset potentiometer R1 until the first code transition flickers between 0000 0000 0000 and 0000 0000 0001.

Next, perform a Gain Adjust at positive full scale. Again, the ideal input corresponding to the last code change is applied. This is $1 1/2$ LSBs below the nominal full scale (+9.9963V for 10V range; +19.9927V for 20V range). Adjust the Gain potentiometer R2 for flicker between codes 1111 1111 1110 and 1111 1111 1111.

Bipolar Connections and Calibration

Refer to Figure 2. The gain and offset errors listed under Specifications may be adjusted to zero using potentiometers R1 and R2 (see Note below). If this isn’t

required, either or both pots may be replaced by a 50Ω, 1% metal film resistor.

Connect the Analog signal to pin 13 for a ±5V range, or to pin 14 for a ±10V range. Calibration of offset and gain is similar to that for the unipolar ranges as discussed above. First apply a DC input voltage $1/2$ LSB above negative full scale (i.e., -4.9988V for the ±5V range, or -9.9976V for the ±10V range). Adjust the offset potentiometer R1 for flicker between output codes 0000 0000 0000 and 0000 0000 0001. Next, apply a DC input voltage $1/2$ LSBs below positive full scale (+4.9963V for ±5V range; +9.9927V for ±10V range). Adjust the Gain potentiometer R2 for flicker between codes 1111 1111 1110 and 1111 1111 1111.

NOTE: The 100Ω potentiometer R2 provides Gain Adjust for the 10V and 20V ranges. In some applications, a full scale of 10.24V (LSB equals 2.5mV) or 20.48V (LSB equals 5.0mV) is more convenient. For these, replace R2 by a 50Ω, 1% metal film resistor. Then, to provide Gain Adjust for the 10.24V range, add a 200Ω potentiometer in series with pin 13. For the 20.48V range, add a 500Ω potentiometer in series with pin 14.

Controlling the HI-X74A

The HI-X74A includes logic for direct interface to most microprocessor systems. The processor may take full control of each conversion, or the converter may operate in the “stand-alone” mode, controlled only by the R/C input. Full control consists of selecting an 8-bit or 12-bit conversion cycle, initiating the conversion, and reading the output data when ready—choosing either 12 bits at once or 8 followed by 4, in a left-justified format. The five control inputs are all TTL/CMOS-compatible: ($12/8$, \overline{CS} , A_0 , R/\overline{C} and CE). Table 3 illustrates the use of these inputs in controlling the converter’s operations. Also, a simplified schematic of the internal control logic is shown in Figure 6.

“Stand-Alone Operation”

The simplest control interface calls for a single control line connected to R/\overline{C} . Also, CE and $12/8$ are wired high, \overline{CS} and A_0 are wired low, and the output data appears in words of 12 bits each.

The R/\overline{C} signal may have any duty cycle within (and including) the extremes shown in Figures 7 and 8. In general, data may be read when R/\overline{C} is high unless STS is also high, indicating a conversion is in progress. Timing parameters particular to this mode of operation are listed in Tables 1 and 2.

TABLE 1. HI-574A STAND-ALONE MODE TIMING

SYMBOL	PARAMETER	MIN	TYP	MAX	UNITS
t_{HRL}	Low R/\overline{C} Pulse Width	50	-	-	ns
t_{DS}	STS Delay from R/\overline{C}	-	-	200	ns
t_{HDR}	Data Valid after R/\overline{C} Low	25	-	-	ns
t_{HS}	STS Delay after Data Valid	300	-	1200	ns
t_{HRH}	High R/\overline{C} Pulse Width	150	-	-	ns
t_{DDR}	Data Access Time	-	-	150	ns

Time is measured from 50% level of digital transitions. Tested with a 50pF and 3kΩ load.

TABLE 2. HI-674A STAND-ALONE MODE TIMING

SYMBOL	PARAMETER	MIN	TYP	MAX	UNITS
t_{HRL}	Low R/\overline{C} Pulse Width	50	-	-	ns
t_{DS}	STS Delay from R/\overline{C}	-	-	200	ns
t_{HDR}	Data Valid after R/\overline{C} Low	25	-	-	ns
t_{HS}	STS Delay after Data Valid	25	-	850	ns
t_{HRH}	High R/\overline{C} Pulse Width	150	-	-	ns
t_{DDR}	Data Access Time	-	-	150	ns

Time is measured from 50% level of digital transitions. Tested with a 50pF and 3kΩ load.

Conversion Length

A Convert Start transition (see Table 1) latches the state of A_0 , which determines whether the conversion continues for 12 bits (A_0 low) or stops with 8 bits (A_0 high). If all 12 bits are read following an 8-bit conversion, the last three LSBs will read ZERO and DB3 will read ONE. A_0 is latched because it is also involved in enabling the output buffers (see “Reading the Output Data” on page 13). No other control inputs are latched.

TABLE 3. TRUTH TABLE FOR HI-X74A CONTROL INPUTS

CE	\overline{CS}	R/\overline{C}	$12/8$	A_0	OPERATION
0	X	X	X	X	None
X	1	X	X	X	None
↑	0	0	X	0	Initiate 12-bit conversion
↑	0	0	X	1	Initiate 8-bit conversion
1	↓	0	X	0	Initiate 12-bit conversion
1	↓	0	X	1	Initiate 8-bit conversion
1	0	↓	X	0	Initiate 12-bit conversion
1	0	↓	X	1	Initiate 8-bit conversion
1	0	1	1	X	Enable 12-bit Output
1	0	1	0	0	Enable 8 MSBs Only
1	0	1	0	1	Enable 4 LSBs Plus 4 Trailing Zeroes

Conversion Start

A conversion may be initiated as shown in Table 3 by a logic transition on any of three inputs: CE, \overline{CS} or $\overline{R/C}$. The last of the three to reach the correct state starts the conversion, so one, two or all three may be dynamically controlled. The nominal delay from each is the same, and if necessary, all three may change state simultaneously. However, to ensure that a particular input controls the start of conversion, the other two should be set up at least 50ns earlier. See the HI-X74A Timing Specifications, Convert Mode.

This variety of HI-X74A control modes allows a simple interface in most system applications. The Convert Start timing relationships are illustrated in Figure 3.

The output signal STS indicates status of the converter by going high only while a conversion is in progress. While STS is high, the output buffers remain in a high impedance state and data cannot be read. Also, an additional Start Convert will not reset the converter or re-initiate a conversion while STS is high.

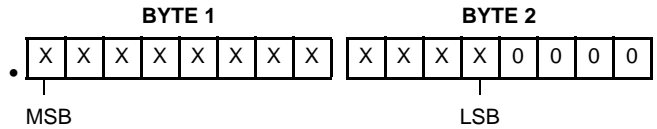
Reading the Output Data

The output data buffers remain in a high impedance state until four conditions are met: $\overline{R/C}$ high, STS low, CE high and \overline{CS} low. At that time, data lines become active according to the state of inputs $12/\overline{8}$ and A_0 . Timing constraints are illustrated in Figure 4.

The $12/\overline{8}$ input will be tied high or low in most applications, though it is fully TTL/CMOS-compatible. With $12/\overline{8}$ high, all

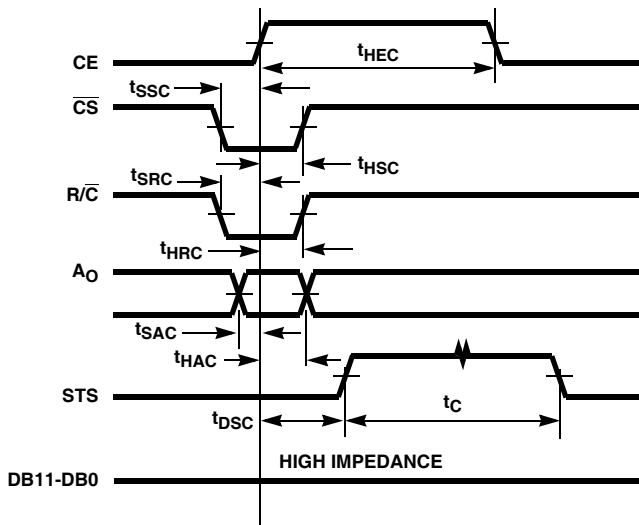
12 output lines become active simultaneously, for interface to a 12-bit or 16-bit data bus. The A_0 input is ignored.

With $12/\overline{8}$ low, the output is organized in two 8-bit bytes, selected one at a time by A_0 . This allows an 8-bit data bus to be connected as shown in Figure 5. A_0 is usually tied to the least significant bit of the address bus, for storing the HI-X74A output in two consecutive memory locations. (With A_0 low, the 8 MSBs only are enabled. With A_0 high, 4 MSBs are disabled, bits 4 through 7 are forced low, and the 4 LSBs are enabled). This two byte format is considered "left justified data," for which a decimal (or binary!) point is assumed to the left of byte 1:



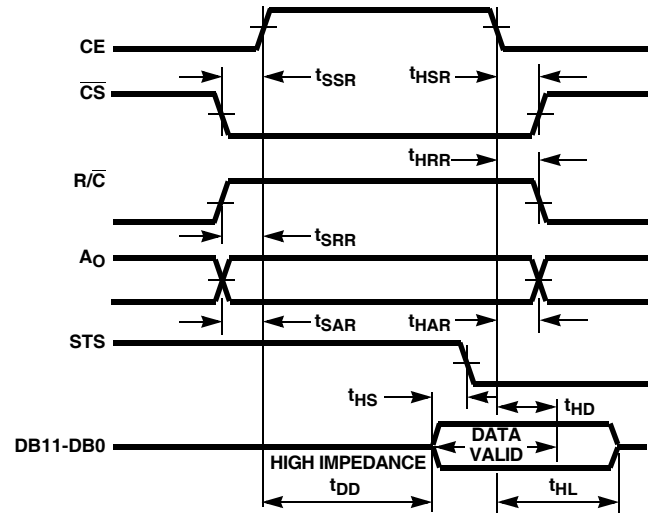
Further, A_0 may be toggled at any time without damage to the converter. Break-before-make action is guaranteed between the two data bytes, which assures that the outputs strapped together in Figure 5 will never be enabled at the same time.

A read operation usually begins after the conversion is complete and STS is low. For earliest access to the data, however, the read should begin no later than ($t_{DD} + t_{HS}$) before STS goes low. See Figure 4.



See HI-X74A Timing Specifications for more information.

FIGURE 3. CONVERT START TIMING



See HI-X74A Timing Specifications for more information.

FIGURE 4. READ CYCLE TIMING

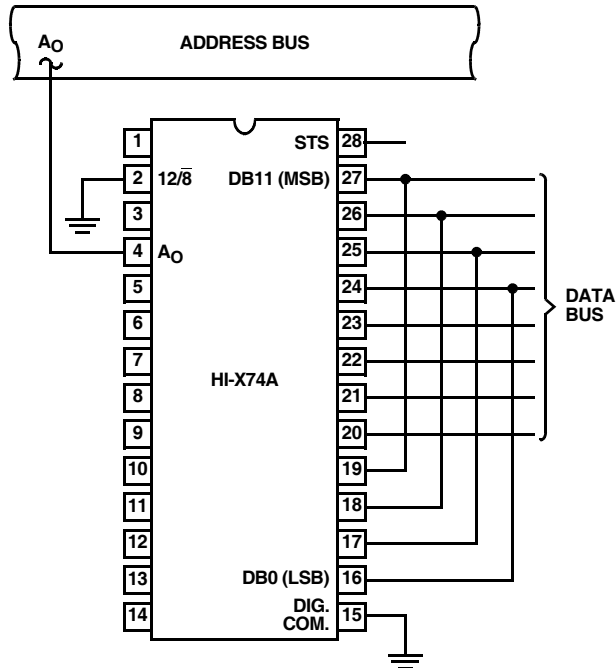


FIGURE 5. INTERFACE TO AN 8-BIT DATA BUS

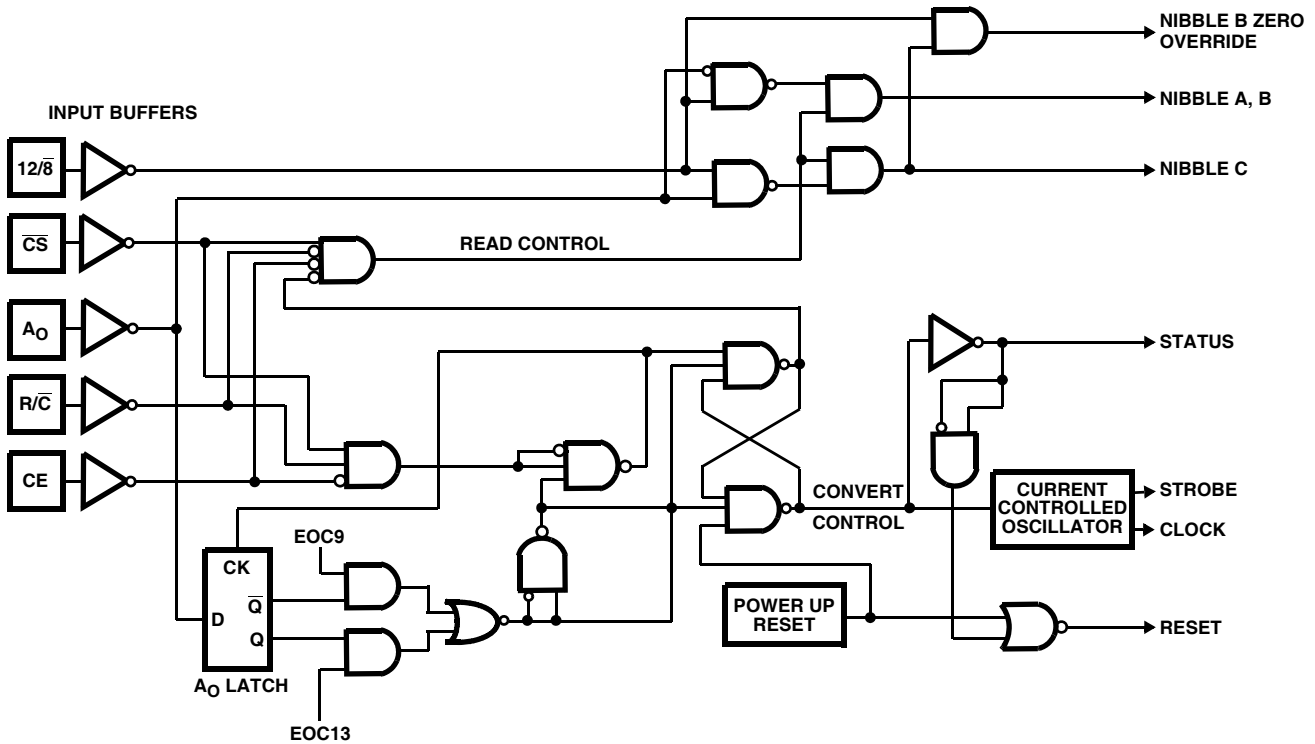


FIGURE 6. HI-X74A CONTROL LOGIC

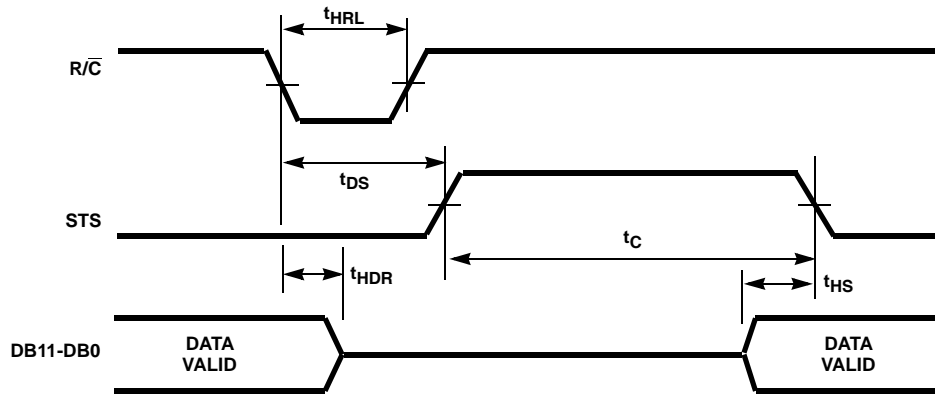


FIGURE 7. LOW PULSE FOR $\overline{R/C}$ - OUTPUTS ENABLED AFTER CONVERSION

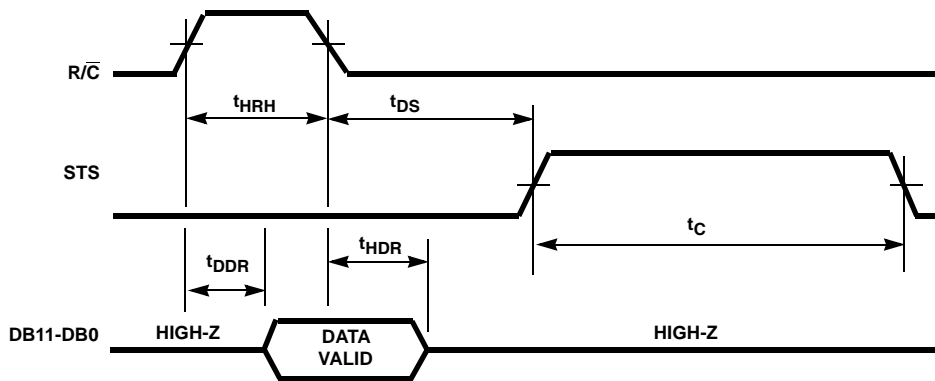


FIGURE 8. HIGH PULSE FOR $\overline{R/C}$ - OUTPUTS ENABLED WHILE $\overline{R/C}$ HIGH, OTHERWISE HIGH-Z

Die Characteristics

DIE DIMENSIONS:

Analog: 3070mm x 4610mm
 Digital: 1900mm x 4510mm

METALLIZATION:

Digital Type: Nitrox
 Thickness: $10\text{k}\text{\AA} \pm 2\text{k}\text{\AA}$
 Metal 1: AlSiCu
 Thickness: $8\text{k}\text{\AA} \pm 1\text{k}\text{\AA}$
 Metal 2: AlSiCu
 Thickness: $16\text{k}\text{\AA} \pm 2\text{k}\text{\AA}$
 Analog Type: Al
 Thickness: $16\text{k}\text{\AA} \pm 2\text{k}\text{\AA}$

PASSIVATION:

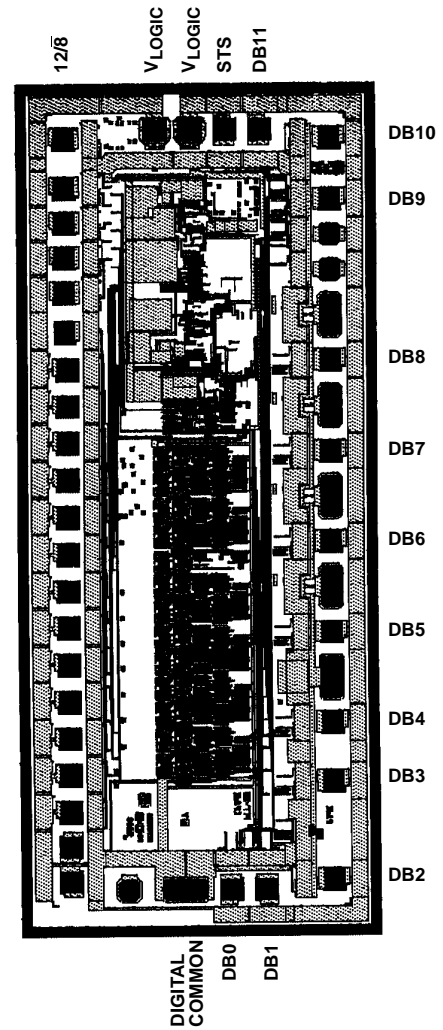
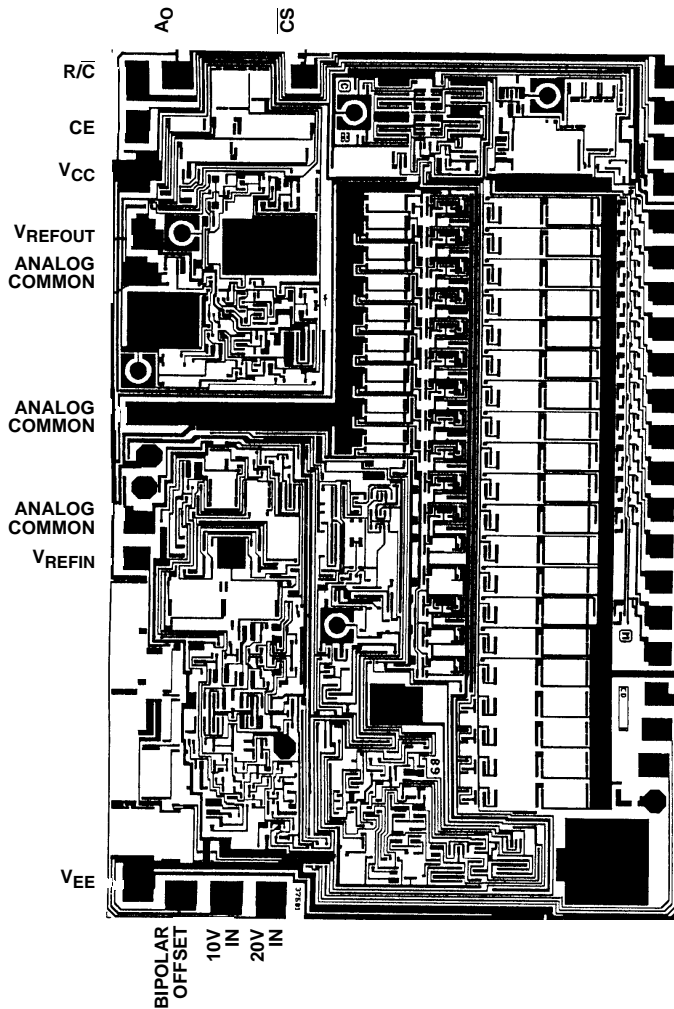
Type: Nitride Over Silox
 Nitride Thickness: $3.5\text{k}\text{\AA} \pm 0.5\text{k}\text{\AA}$
 Silox Thickness: $12\text{k}\text{\AA} \pm 1.5\text{k}\text{\AA}$

WORST CASE CURRENT DENSITY:

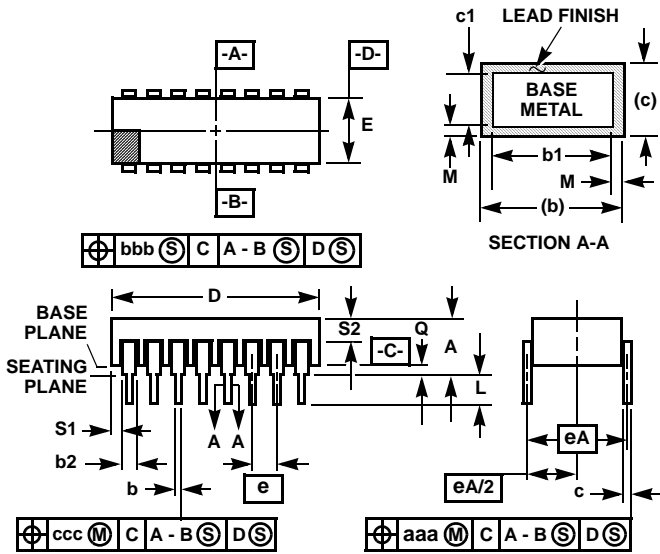
$1.3 \times 10^5 \text{ A/cm}^2$

Metallization Mask Layout

HI-574A, HI-674A



Ceramic Dual-In-Line Metal Seal Packages (SBDIP)



**D28.6 MIL-STD-1835 CDIP2-T28 (D-10, CONFIGURATION C)
28 LEAD CERAMIC DUAL-IN-LINE METAL SEAL PACKAGE**

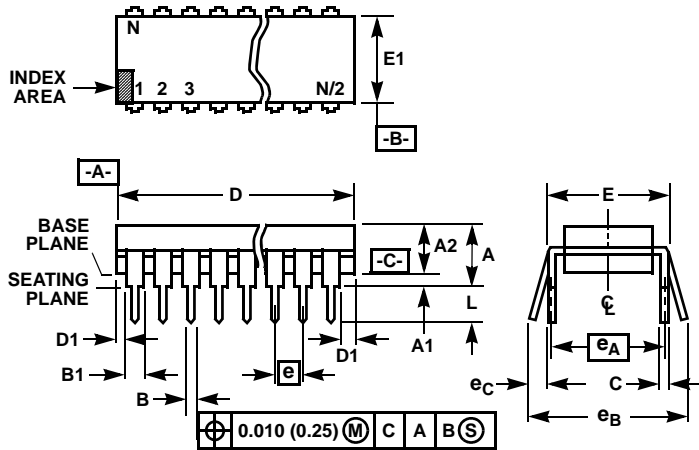
SYMBOL	INCHES		MILLIMETERS		NOTES
	MIN	MAX	MIN	MAX	
A	-	0.232	-	5.92	-
b	0.014	0.026	0.36	0.66	2
b1	0.014	0.023	0.36	0.58	3
b2	0.045	0.065	1.14	1.65	-
b3	0.023	0.045	0.58	1.14	4
c	0.008	0.018	0.20	0.46	2
c1	0.008	0.015	0.20	0.38	3
D	-	1.490	-	37.85	-
E	0.500	0.610	12.70	15.49	-
e	0.100 BSC		2.54 BSC		-
eA	0.600 BSC		15.24 BSC		-
eA/2	0.300 BSC		7.62 BSC		-
L	0.125	0.200	3.18	5.08	-
Q	0.015	0.060	0.38	1.52	5
S1	0.005	-	0.13	-	6
S2	0.005	-	0.13	-	7
α	90°	105°	90°	105°	-
aaa	-	0.015	-	0.38	-
bbb	-	0.030	-	0.76	-
ccc	-	0.010	-	0.25	-
M	-	0.0015	-	0.038	2
N	28		28		8

NOTES:

1. Index area: A notch or a pin one identification mark shall be located adjacent to pin one and shall be located within the shaded area shown. The manufacturer's identification shall not be used as a pin one identification mark.
2. The maximum limits of lead dimensions b and c or M shall be measured at the centroid of the finished lead surfaces, when solder dip or tin plate lead finish is applied.
3. Dimensions b1 and c1 apply to lead base metal only. Dimension M applies to lead plating and finish thickness.
4. Corner leads (1, N, N/2, and N/2+1) may be configured with a partial lead paddle. For this configuration dimension b3 replaces dimension b2.
5. Dimension Q shall be measured from the seating plane to the base plane.
6. Measure dimension S1 at all four corners.
7. Measure dimension S2 from the top of the ceramic body to the nearest metallization or lead.
8. N is the maximum number of terminal positions.
9. Braze fillets shall be concave.
10. Dimensioning and tolerancing per ANSI Y14.5M - 1982.
11. Controlling dimension: INCH.

Rev. 0 5/18/94

Dual-In-Line Plastic Packages (PDIP)



NOTES:

- Controlling Dimensions: INCH. In case of conflict between English and Metric dimensions, the inch dimensions control.
- Dimensioning and tolerancing per ANSI Y14.5M-1982.
- Symbols are defined in the "MO Series Symbol List" in Section 2.2 of Publication No. 95.
- Dimensions A, A1 and L are measured with the package seated in JEDEC seating plane gauge GS-3.
- D, D1, and E1 dimensions do not include mold flash or protrusions. Mold flash or protrusions shall not exceed 0.010 inch (0.25mm).
- E and e_A are measured with the leads constrained to be perpendicular to datum $-C-$.
- e_B and e_C are measured at the lead tips with the leads unconstrained. e_C must be zero or greater.
- B1 maximum dimensions do not include dambar protrusions. Dambar protrusions shall not exceed 0.010 inch (0.25mm).
- N is the maximum number of terminal positions.
- Corner leads (1, N, N/2 and N/2 + 1) for E8.3, E16.3, E18.3, E28.3, E42.6 will have a B1 dimension of 0.030 - 0.045 inch (0.76 - 1.14mm).

E28.6 (JEDEC MS-011-AB ISSUE B)
28 LEAD DUAL-IN-LINE PLASTIC PACKAGE

SYMBOL	INCHES		MILLIMETERS		NOTES
	MIN	MAX	MIN	MAX	
A	-	0.250	-	6.35	4
A1	0.015	-	0.39	-	4
A2	0.125	0.195	3.18	4.95	-
B	0.014	0.022	0.356	0.558	-
B1	0.030	0.070	0.77	1.77	8
C	0.008	0.015	0.204	0.381	-
D	1.380	1.565	35.1	39.7	5
D1	0.005	-	0.13	-	5
E	0.600	0.625	15.24	15.87	6
E1	0.485	0.580	12.32	14.73	5
e	0.100 BSC		2.54 BSC		-
e_A	0.600 BSC		15.24 BSC		6
e_B	-	0.700	-	17.78	7
L	0.115	0.200	2.93	5.08	4
N	28		28		9

Rev. 1 12/00

All Intersil U.S. products are manufactured, assembled and tested utilizing ISO9000 quality systems.
Intersil Corporation's quality certifications can be viewed at www.intersil.com/design/quality

Intersil products are sold by description only. Intersil Corporation reserves the right to make changes in circuit design, software and/or specifications at any time without notice. Accordingly, the reader is cautioned to verify that data sheets are current before placing orders. Information furnished by Intersil is believed to be accurate and reliable. However, no responsibility is assumed by Intersil or its subsidiaries for its use; nor for any infringements of patents or other rights of third parties which may result from its use. No license is granted by implication or otherwise under any patent or patent rights of Intersil or its subsidiaries.

For information regarding Intersil Corporation and its products, see www.intersil.com