

阅读申明

- 1.本站收集的数据手册和产品资料都来自互联网，版权归原作者所有。如读者和版权方有任何异议请及时告之，我们将妥善解决。
- 2.本站提供的中文数据手册是英文数据手册的中文翻译，其目的是协助用户阅读，该译文无法自动跟随原稿更新，同时也可能存在翻译上的不当。建议读者以英文原稿为参考以便获得更精准的信息。
- 3.本站提供的产品资料，来自厂商的技术支持或者使用者的心得体会等，其内容可能存在描述上的差异，建议读者做出适当判断。
- 4.如需与我们联系，请发邮件到marketing@iczoom.com，主题请标有“数据手册”字样。

Read Statement

1. The datasheets and other product information on the site are all from network reference or other public materials, and the copyright belongs to the original author and original published source. If readers and copyright owners have any objections, please contact us and we will deal with it in a timely manner.
2. The Chinese datasheets provided on the website is a Chinese translation of the English datasheets. Its purpose is for reader's learning exchange only and do not involve commercial purposes. The translation cannot be automatically updated with the original manuscript, and there may also be improper translations. Readers are advised to use the English manuscript as a reference for more accurate information.
3. All product information provided on the website refer to solutions from manufacturers' technical support or users the contents may have differences in description, and readers are advised to take the original article as the standard.
4. If you have any questions, please contact us at marketing@iczoom.com and mark the subject with "Datasheets" .

Digitally Controlled Potentiometer (XDCP™)

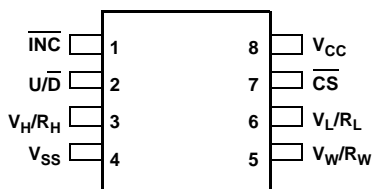
The X9C102, X9C103, X9C104, X9C503 are Intersil's digitally controlled (XDCP) potentiometers. The device consists of a resistor array, wiper switches, a control section, and non-volatile memory. The wiper position is controlled by a three-wire interface.

The potentiometer is implemented by a resistor array composed of 99 resistive elements and a wiper switching network. Between each element and at either end are tap points accessible to the wiper terminal. The position of the wiper element is controlled by the \overline{CS} , U/\overline{D} , and \overline{INC} inputs. The position of the wiper can be stored in non-volatile memory and then be recalled upon a subsequent power-up operation.

The device can be used as a three-terminal potentiometer or as a two-terminal variable resistor in a wide variety of applications ranging from control to signal processing to parameter adjustment.

Pinout

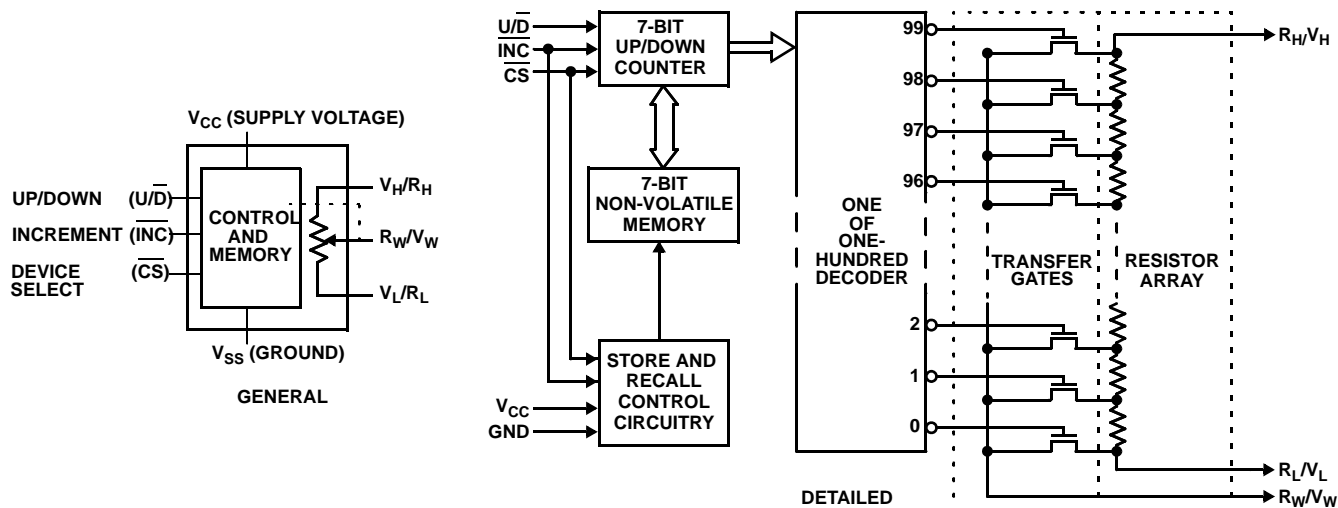
X9C102, X9C103, X9C104, X9C503
(8 LD SOIC, 8 LD PDIP)
TOP VIEW



Features

- Solid-State Potentiometer
- Three-Wire Serial Interface
- 100 Wiper Tap Points
 - Wiper Position Stored in Non-volatile Memory and Recalled on Power-up
- 99 Resistive Elements
 - Temperature Compensated
 - End-to-End Resistance, $\pm 20\%$
 - Terminal Voltages, $\pm 5V$
- Low Power CMOS
 - $V_{CC} = 5V$
 - Active Current, 3mA max.
 - Standby Current, 750 μA max.
- High Reliability
 - Endurance, 100,000 Data Changes per Bit
 - Register Data Retention, 100 years
- X9C102 = 1k Ω
- X9C103 = 10k Ω
- X9C503 = 50k Ω
- X9C104 = 100k Ω
- Packages
 - 8 Ld SOIC
 - 8 Ld PDIP
- Pb-Free Available (RoHS Compliant)

Block Diagram



X9C102, X9C103, X9C104, X9C503

Ordering Information

PART NUMBER	PART MARKING	R _{TOTAL} (kΩ)	TEMP RANGE (°C)	PACKAGE	PACKAGE DWG. #
X9C102P	X9C102P	1	0 to +70	8 Ld PDIP	MDP0031
X9C102PZ (Notes 1, 2)	X9C102P Z		0 to +70	8 Ld PDIP (Pb-free)	MDP0031
X9C102PI	X9C102P I		-40 to +85	8 Ld PDIP	MDP0031
X9C102PIZ (Notes 1, 2)	X9C102P ZI		-40 to +85	8 Ld PDIP (Pb-free)	MDP0031
X9C102S*, **	X9C102S		0 to +70	8 Ld SOIC	MDP0027
X9C102SZ* (Note 1)	X9C102S Z		0 to +70	8 Ld SOIC (Pb-free)	MDP0027
X9C102SI*, **	X9C102S I		-40 to +85	8 Ld SOIC	MDP0027
X9C102SIZ*, ** (Note 1)	X9C102S ZI		-40 to +85	8 Ld SOIC (Pb-free)	MDP0027
X9C103P	X9C103P	10	0 to +70	8 Ld PDIP	MDP0031
X9C103PZ (Notes 1, 2)	X9C103P Z		0 to +70	8 Ld PDIP (Pb-free)	MDP0031
X9C103PI	X9C103P I		-40 to +85	8 Ld PDIP	MDP0031
X9C103PIZ (Note 1)	X9C103P ZI		-40 to +85	8 Ld PDIP (Pb-free)	MDP0031
X9C103S*, **	X9C103S		0 to +70	8 Ld SOIC	MDP0027
X9C103SZ*, ** (Note 1)	X9C103S Z		0 to +70	8 Ld SOIC (Pb-free)	MDP0027
X9C103SI*, **	X9C103S I		-40 to +85	8 Ld SOIC	MDP0027
X9C103SIZ*, ** (Note 1)	X9C103S ZI		-40 to +85	8 Ld SOIC (Pb-free)	MDP0027
X9C503P	X9C503P	50	0 to +70	8 Ld PDIP	MDP0031
X9C503PZ (Notes 1, 2)	X9C503P Z		0 to +70	8 Ld PDIP (Pb-free)	MDP0031
X9C503PI	X9C503P I		-40 to +85	8 Ld PDIP	MDP0031
X9C503PIZ (Notes 1, 2)	X9C503P ZI		-40 to +85	8 Ld PDIP (Pb-free)	MDP0031
X9C503S*	X9C503S		0 to +70	8 Ld SOIC	MDP0027
X9C503SZ* (Note 1)	X9C503S Z		0 to +70	8 Ld SOIC (Pb-free)	MDP0027
X9C503SI*, **	X9C503S I		-40 to +85	8 Ld SOIC	MDP0027
X9C503SIZ*, ** (Note 1)	X9C503S ZI		-40 to +85	8 Ld SOIC (Pb-free)	MDP0027
X9C104P	X9C104P	100	0 to +70	8 Ld PDIP	MDP0031
X9C104PI	X9C104P I		-40 to +85	8 Ld PDIP	MDP0031
X9C104PIZ (Notes 1, 2)	X9C104P ZI		-40 to +85	8 Ld PDIP (Pb-free)	MDP0031
X9C104S*, **	X9C104S		0 to +70	8 Ld SOIC	MDP0027
X9C104SZ*, ** (Note 1)	X9C104S Z		0 to +70	8 Ld SOIC (Pb-free)	MDP0027
X9C104SI*, **	X9C104S I		-40 to +85	8 Ld SOIC	MDP0027
X9C104SIZ*, ** (Note 1)	X9C104S ZI		-40 to +85	8 Ld SOIC (Pb-free)	MDP0027

*Add "T1" suffix for tape and reel. Please refer to TB347 for details on reel specifications.

**Add "T2" suffix for tape and reel. Please refer to TB347 for details on reel specifications.

NOTES:

1. These Intersil Pb-free plastic packaged products employ special Pb-free material sets, molding compounds/die attach materials, and 100% matte tin plate plus anneal (e3 termination finish, which is RoHS compliant and compatible with both SnPb and Pb-free soldering operations). Intersil Pb-free products are MSL classified at Pb-free peak reflow temperatures that meet or exceed the Pb-free requirements of IPC/JEDEC J STD-020.
2. Pb-free PDIPs can be used for through-hole wave solder processing only. They are not intended for use in Reflow solder processing applications.

Pin Descriptions

PIN NUMBER	PIN NAME	DESCRIPTION
1	$\overline{\text{INC}}$	INCREMENT The $\overline{\text{INC}}$ input is negative-edge triggered. Toggling $\overline{\text{INC}}$ will move the wiper and either increment or decrement the counter in the direction indicated by the logic level on the $\text{U}/\overline{\text{D}}$ input.
2	$\text{U}/\overline{\text{D}}$	UP/DOWN The $\text{U}/\overline{\text{D}}$ input controls the direction of the wiper movement and whether the counter is incremented or decremented.
3	$\text{V}_\text{H}/\text{R}_\text{H}$	$\text{V}_\text{H}/\text{R}_\text{H}$ The high ($\text{V}_\text{H}/\text{R}_\text{H}$) terminals of the X9C102, X9C103, X9C104, X9C503 are equivalent to the fixed terminals of a mechanical potentiometer. The minimum voltage is -5V and the maximum is +5V. The terminology of $\text{V}_\text{H}/\text{R}_\text{H}$ and $\text{V}_\text{L}/\text{R}_\text{L}$ references the relative position of the terminal in relation to wiper movement direction selected by the $\text{U}/\overline{\text{D}}$ input and not the voltage potential on the terminal.
4	V_SS	V_SS
5	$\text{V}_\text{W}/\text{R}_\text{W}$	$\text{V}_\text{W}/\text{R}_\text{W}$ $\text{V}_\text{W}/\text{R}_\text{W}$ is the wiper terminal and is equivalent to the movable terminal of a mechanical potentiometer. The position of the wiper within the array is determined by the control inputs. The wiper terminal series resistance is typically 40Ω.
6	$\text{R}_\text{L}/\text{V}_\text{L}$	$\text{R}_\text{L}/\text{V}_\text{L}$ The low ($\text{V}_\text{L}/\text{R}_\text{L}$) terminals of the X9C102, X9C103, X9C104, X9C503 are equivalent to the fixed terminals of a mechanical potentiometer. The minimum voltage is -5V and the maximum is +5V. The terminology of $\text{V}_\text{H}/\text{R}_\text{H}$ and $\text{V}_\text{L}/\text{R}_\text{L}$ references the relative position of the terminal in relation to wiper movement direction selected by the $\text{U}/\overline{\text{D}}$ input and not the voltage potential on the terminal.
7	$\overline{\text{CS}}$	$\overline{\text{CS}}$ The device is selected when the $\overline{\text{CS}}$ input is LOW. The current counter value is stored in non-volatile memory when $\overline{\text{CS}}$ is returned HIGH while the $\overline{\text{INC}}$ input is also HIGH. After the store operation is complete the X9C102, X9C103, X9C104, X9C503 device will be placed in the low power standby mode until the device is selected once again.
8	V_CC	V_CC

X9C102, X9C103, X9C104, X9C503

Absolute Maximum Ratings

Voltage on \overline{CS} , \overline{INC} , U/\overline{D} and V_{CC} with Respect to V_{SS}	-1V to +7V
Voltage on V_H/R_H and V_L/R_L Referenced to V_{SS}	-8V to +8V
$\Delta V = V_H/R_H - V_L/R_L $	
X9C102	.4V
X9C103, X9C104, and X9C503	.10V
I_W (10s)	8.8mA
Power Rating	
X9C102	16mW
X9C103 X0C104, and X9C503	10mW

Thermal Information

Temperature Under Bias	-65°C to +135°C
Storage Temperature	-65°C to +150°C
Pb-Free Reflow Profile	see link below http://www.intersil.com/pbfree/Pb-FreeReflow.asp
*Pb-free PDIPs can be used for through-hole wave solder processing only. They are not intended for use in Reflow solder processing applications.	

Recommended Operating Conditions

Commercial Temperature Range	0°C to +70°C
Industrial Temperature Range	-40°C to +85°C
Supply Voltage Range (V_{CC})	5V \pm 10%

CAUTION: Do not operate at or near the maximum ratings listed for extended periods of time. Exposure to such conditions may adversely impact product reliability and result in failures not covered by warranty.

Electrical Specifications Over recommended operating conditions unless otherwise stated.

SYMBOL	PARAMETER	TEST CONDITIONS	LIMITS			UNIT
			MIN	TYP (Note 6)	MAX	
POTENTIOMETER CHARACTERISTICS						
R_{TOTAL}	End-to-End Resistance Variation		-20		+20	%
$V_{VH/RH}$	V_H Terminal Voltage		-5		+5	V
$V_{VL/RL}$	V_L Terminal Voltage		-5		+5	V
I_W	Wiper Current		-4.4		4.4	mA
R_W	Wiper Resistance	Wiper Current = \pm 1mA		40	100	Ω
	Resistor Noise (Note 7)	Ref 1kHz		-120		dBV
	Charge Pump Noise (Note 7)	@ 850kHz		20		mV _{RMS}
	Resolution			1		%
	Absolute Linearity (Note 3)	$V_{W(n)(actual)} - V_{W(n)(EXPECTED)}$		-1	+1	MI (Note 5)
	Relative Linearity (Note 4)	$V_{W(n+1)(ACTUAL)} - [V_{W(n)} + MI]$		-0.2	+0.2	MI (Note 5)
	R_{TOTAL} Temperature Coefficient	X9C103, X9C503, X9C104			\pm 300 (Note 7)	ppm/°C
	R_{TOTAL} Temperature Coefficient	X9C102			\pm 600 (Note 7)	ppm/°C
	Ratiometric Temperature Coefficient			\pm 20	ppm/°C	
$C_H/C_L/C_W$ (Note 7)	Potentiometer Capacitances	See "Circuit #3 SPICE Macro Model" on page 5.		10/10/25		pF
DC OPERATING CHARACTERISTICS						
I_{CC}	V_{CC} Active Current	$\overline{CS} = V_{IL}$, $U/\overline{D} = V_{IL}$ or V_{IH} and $\overline{INC} = 0.4V$ to $2.4V$ at Max t_{CYC}		1	3	mA
I_{SB}	Standby Supply Current	$\overline{CS} = V_{CC} - 0.3V$, U/\overline{D} and $\overline{INC} = V_{SS}$ or $V_{CC} - 0.3V$		200	750	μ A
I_{LI}	\overline{CS} , \overline{INC} , U/\overline{D} Input Leakage Current	$V_{IN} = V_{SS}$ to V_{CC}			\pm 10	μ A
V_{IH}	\overline{CS} , \overline{INC} , U/\overline{D} input HIGH Voltage		2			V
V_{IL}	\overline{CS} , \overline{INC} , U/\overline{D} input LOW Voltage				0.8	V
C_{IN}	\overline{CS} , \overline{INC} , U/\overline{D} Input Capacitance (Note 7)	$V_{CC} = 5V$, $V_{IN} = V_{SS}$, $T_A = +25^\circ C$, $f = 1MHz$		10		pF

X9C102, X9C103, X9C104, X9C503

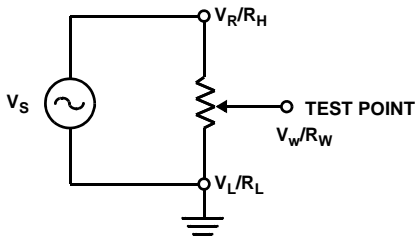
Electrical Specifications Over recommended operating conditions unless otherwise stated. (Continued)

SYMBOL	PARAMETER	TEST CONDITIONS	LIMITS			UNIT
			MIN	TYP (Note 6)	MAX	
AC OPERATION CHARACTERISTICS						
t_{CI}	\overline{CS} to \overline{INC} Setup		100			ns
t_{ID}	\overline{INC} HIGH to U/\overline{D} Change		100			ns
t_{DI}	U/\overline{D} to \overline{INC} Setup		2.9			μ s
t_{IL}	\overline{INC} LOW Period		1			μ s
t_{IH}	\overline{INC} HIGH Period		1			μ s
t_{IC}	\overline{INC} Inactive to \overline{CS} Inactive		1			μ s
t_{CPH}	\overline{CS} Deselect Time (STORE)		20			ms
t_{CPH}	\overline{CS} Deselect Time (NO STORE)		100			ns
$t_{IW}^{(5)}$	\overline{INC} to $V_{W/RW}$ Change			100		μ s
t_{CYC}	\overline{INC} Cycle Time		2			μ s
t_{CYC}	\overline{INC} Input Rise and Fall Time				500	μ s
t_R, t_F	Power-up to Wiper Stable (Note 7)			500		μ s
t_{PU}	V_{CC} Power-up Rate (Note 7)		0.2		50	V/ms

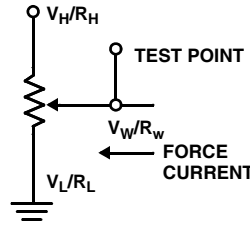
NOTES:

- Absolute linearity is utilized to determine actual wiper voltage vs expected voltage = $[V_{W(n)(actual)} - V_{W(n)(expected)}] = \pm 1$ MI Maximum.
- Relative linearity is a measure of the error in step size between taps = $V_{W(n+1)} - [V_{W(n)} + MI] = +0.2$ MI.
- 1 MI = Minimum Increment = $R_{TOT}/99$.
- Typical values are for $T_A = +25^\circ\text{C}$ and nominal supply voltage.
- This parameter is not 100% tested.

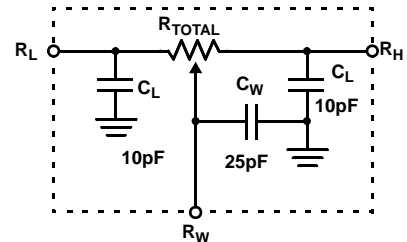
Test Circuit #1



Test Circuit #2



Circuit #3 SPICE Macro Model



Endurance and Data Retention

PARAMETER	MIN	UNIT
Medium Endurance	100,000	Data changes per bit per register
Data Retention	100	years

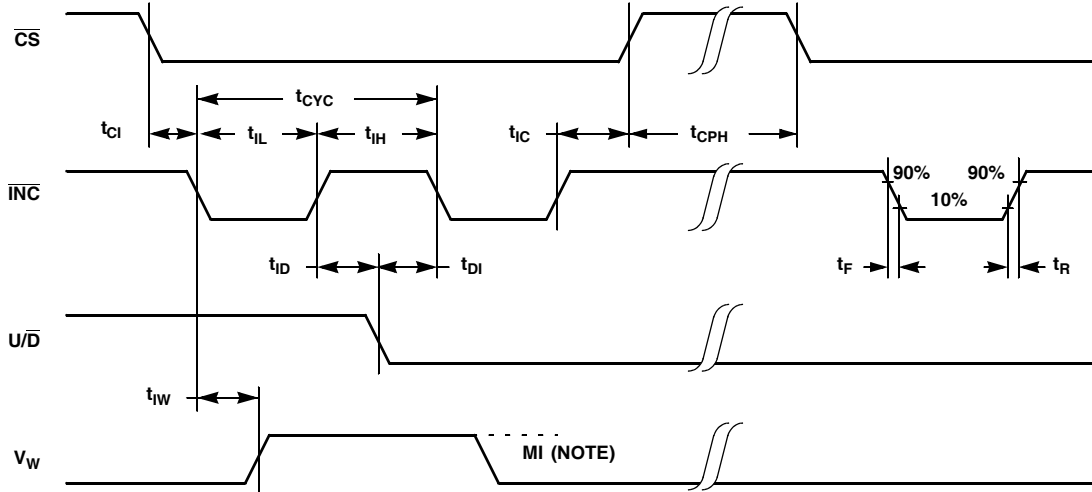
Power-up and Down Requirements

At all times, voltages on the potentiometer pins must be less than $\pm V_{CC}$. The recall of the wiper position from non-volatile memory is not in effect until the V_{CC} supply reaches its final value. The V_{CC} ramp rate specification is always in effect.

AC Conditions of Test

Input Pulse Levels	0V to 3V
Input Rise and Fall Times	10ns
Input Reference Levels	1.5V

AC Timing Diagram



NOTE: MI REFERS TO THE MINIMUM INCREMENTAL CHANGE IN THE V_W OUTPUT DUE TO A CHANGE IN THE WIPER POSITION.

Pin Descriptions

R_H/V_H and R_L/V_L

The high (V_H/R_H) and low (V_L/R_L) terminals of the ISLX9C102, X9C103, X9C104, X9C503 are equivalent to the fixed terminals of a mechanical potentiometer. The minimum voltage is -5V and the maximum is +5V. The terminology of V_H/R_H and V_L/R_L references the relative position of the terminal in relation to wiper movement direction selected by the U/\bar{D} input and not the voltage potential on the terminal.

R_W/V_W

V_W/R_W is the wiper terminal, and is equivalent to the movable terminal of a mechanical potentiometer. The position of the wiper within the array is determined by the control inputs. The wiper terminal series resistance is typically 40Ω.

Up/Down (U/\bar{D})

The U/\bar{D} input controls the direction of the wiper movement and whether the counter is incremented or decremented.

Increment (\bar{INC})

The \bar{INC} input is negative-edge triggered. Toggling \bar{INC} will move the wiper and either increment or decrement the counter in the direction indicated by the logic level on the U/\bar{D} input.

Chip Select (\bar{CS})

The device is selected when the \bar{CS} input is LOW. The current counter value is stored in non-volatile memory when \bar{CS} is returned HIGH while the \bar{INC} input is also HIGH. After the store operation is complete the ISLX9C102, X9C103, X9C104, X9C503 device will be placed in the low power standby mode until the device is selected once again.

Principles of Operation

There are three sections of the X9C102, X9C103, ISL9C104 and ISL9C503: the input control, counter and decode section; the non-volatile memory; and the resistor array. The input control section operates just like an up/down counter. The output of this counter is decoded to turn on a single electronic switch connecting a point on the resistor array to the wiper output. Under the proper conditions, the contents of the counter can be stored in non-volatile memory and retained for future use. The resistor array is comprised of 99 individual resistors connected in series. At either end of the array and between each resistor is an electronic switch that transfers the potential at that point to the wiper.

The wiper, when at either fixed terminal, acts like its mechanical equivalent and does not move beyond the last position. That is, the counter does not wrap around when clocked to either extreme.

The electronic switches on the device operate in a “make-before-break” mode when the wiper changes tap positions. If the wiper is moved several positions, multiple taps are connected to the wiper for t_{W} (\bar{INC} to V_W/R_W change). The R_{TOTAL} value for the device can temporarily be reduced by a significant amount if the wiper is moved several positions.

When the device is powered-down, the last wiper position stored will be maintained in the non-volatile memory. When power is restored, the contents of the memory are recalled and the wiper is reset to the value last stored.

The internal charge pump allows a wide range of voltages (from -5V to 5V) applied to XDCP terminals yet given a convenience of single power supply. The typical charge pump noise of 20mV at 850kHz should be taken in consideration when designing an application circuit.

Instructions and Programming

The \overline{INC} , $\overline{U/D}$ and \overline{CS} inputs control the movement of the wiper along the resistor array. With \overline{CS} set LOW, the device is selected and enabled to respond to the $\overline{U/D}$ and \overline{INC} inputs. HIGH to LOW transitions on \overline{INC} will increment or decrement (depending on the state of the $\overline{U/D}$ input) a 7-bit counter. The output of this counter is decoded to select one of one-hundred wiper positions along the resistive array.

The value of the counter is stored in non-volatile memory whenever \overline{CS} transitions HIGH while the \overline{INC} input is also HIGH.

The system may select the X9Cxxx, move the wiper and deselect the device without having to store the latest wiper position in non-volatile memory. After the wiper movement is performed as previously described and once the new position is reached, the system must keep \overline{INC} LOW while taking \overline{CS} HIGH. The new wiper position will be maintained until changed by the system or until a power-down/up cycle recalled the previously stored data.

This procedure allows the system to always power-up to a pre-set value stored in non-volatile memory; then during system operation, minor adjustments could be made. The adjustments might be based on user preference, i.e.: system parameter changes due to temperature drift, etc.

The state of $\overline{U/D}$ may be changed while \overline{CS} remains LOW. This allows the host system to enable the device and then move the wiper up and down until the proper trim is attained.

Mode Selection

\overline{CS}	\overline{INC}	$\overline{U/D}$	MODE
L		H	Wiper Up
L		L	Wiper Down
	H	X	Store Wiper Position
H	X	X	Standby Current
	L	X	No Store, Return to Standby
	L	H	Wiper Up (not recommended)
	L	L	Wiper Down (not recommended)

Symbol Table

WAVEFORM	INPUTS	OUTPUTS
	Must be steady	Will be steady
	May change from Low to High	Will change from Low to High
	May change from High to Low	Will change from High to Low
	Don't Care: Changes Allowed	Changing: State Not Known
	N/A	Center Line is High Impedance

Performance Characteristics

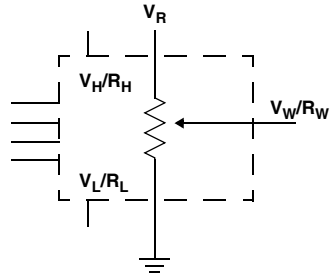
Contact the factory for more information.

Applications Information

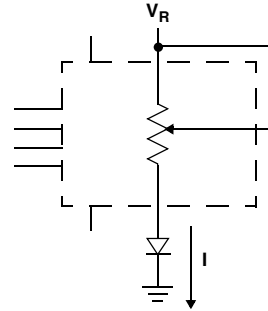
Electronic digitally controlled (XCDP) potentiometers provide three powerful application advantages:

1. The variability and reliability of a solid-state potentiometer.
2. The flexibility of computer-based digital controls.
3. The retentivity of non-volatile memory used for the storage of multiple potentiometer settings or data.

Basic Configurations of Electronic Potentiometers

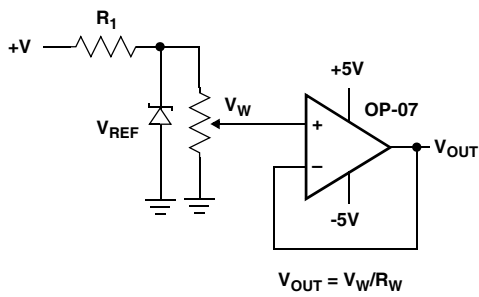


THREE TERMINAL POTENTIOMETER;
VARIABLE VOLTAGE DIVIDER

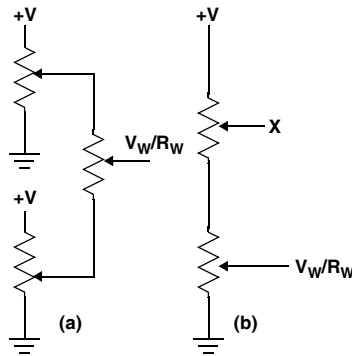


TWO TERMINAL VARIABLE RESISTOR;
VARIABLE CURRENT

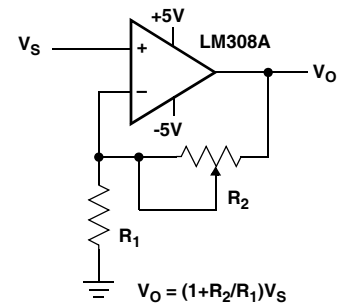
Basic Circuits



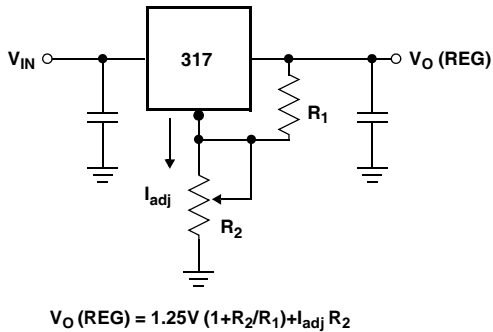
BUFFERED REFERENCE VOLTAGE



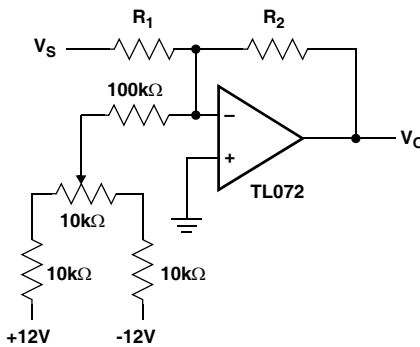
CASCADING TECHNIQUES



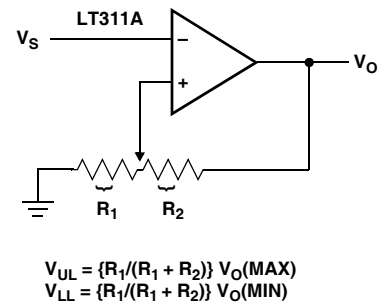
NONINVERTING AMPLIFIER



VOLTAGE REGULATOR



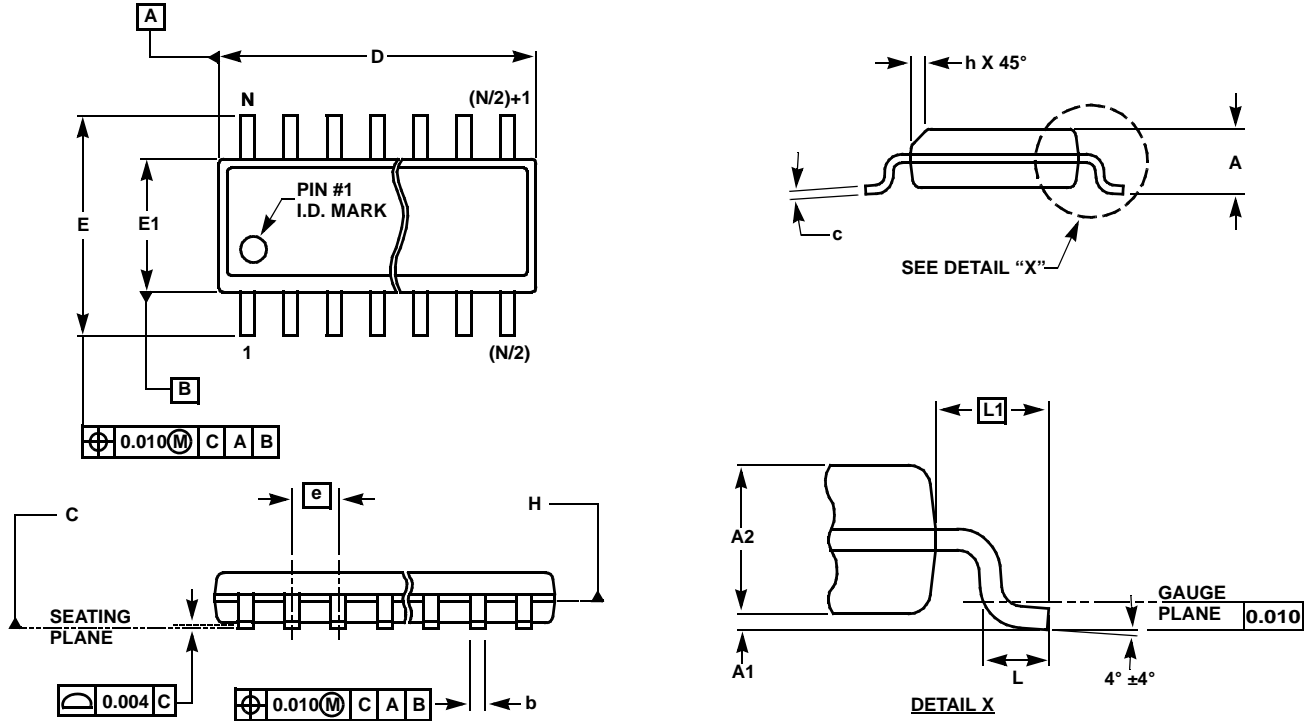
OFFSET VOLTAGE ADJUSTMENT



(FOR ADDITIONAL CIRCUITS SEE AN1145)

COMPARATOR WITH HYSTERESIS

Small Outline Package Family (SO)



MDP0027

SMALL OUTLINE PACKAGE FAMILY (SO)

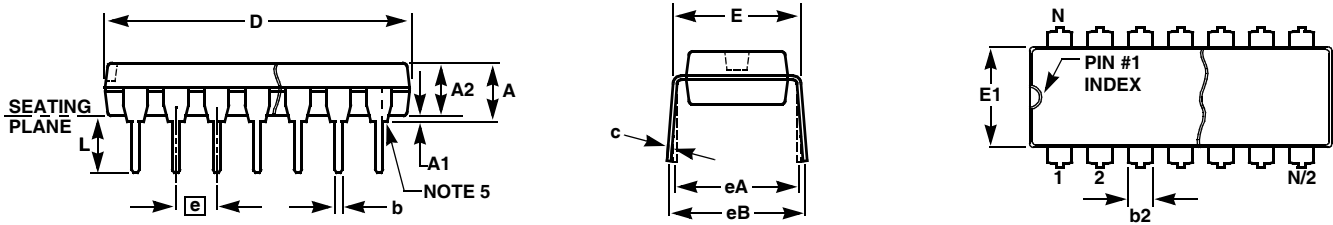
SYMBOL	INCHES							TOLERANCE	NOTES
	SO-8	SO-14	SO16 (0.150")	SO16 (0.300") (SOL-16)	SO20 (SOL-20)	SO24 (SOL-24)	SO28 (SOL-28)		
A	0.068	0.068	0.068	0.104	0.104	0.104	0.104	MAX	-
A1	0.006	0.006	0.006	0.007	0.007	0.007	0.007	± 0.003	-
A2	0.057	0.057	0.057	0.092	0.092	0.092	0.092	± 0.002	-
b	0.017	0.017	0.017	0.017	0.017	0.017	0.017	± 0.003	-
c	0.009	0.009	0.009	0.011	0.011	0.011	0.011	± 0.001	-
D	0.193	0.341	0.390	0.406	0.504	0.606	0.704	± 0.004	1, 3
E	0.236	0.236	0.236	0.406	0.406	0.406	0.406	± 0.008	-
E1	0.154	0.154	0.154	0.295	0.295	0.295	0.295	± 0.004	2, 3
e	0.050	0.050	0.050	0.050	0.050	0.050	0.050	Basic	-
L	0.025	0.025	0.025	0.030	0.030	0.030	0.030	± 0.009	-
L1	0.041	0.041	0.041	0.056	0.056	0.056	0.056	Basic	-
h	0.013	0.013	0.013	0.020	0.020	0.020	0.020	Reference	-
N	8	14	16	16	20	24	28	Reference	-

Rev. M 2/07

NOTES:

1. Plastic or metal protrusions of 0.006" maximum per side are not included.
2. Plastic interlead protrusions of 0.010" maximum per side are not included.
3. Dimensions "D" and "E1" are measured at Datum Plane "H".
4. Dimensioning and tolerancing per ASME Y14.5M-1994

Plastic Dual-In-Line Packages (PDIP)



MDP0031

PLASTIC DUAL-IN-LINE PACKAGE

SYMBOL	INCHES					TOLERANCE	NOTES
	PDIP8	PDIP14	PDIP16	PDIP18	PDIP20		
A	0.210	0.210	0.210	0.210	0.210	MAX	
A1	0.015	0.015	0.015	0.015	0.015	MIN	
A2	0.130	0.130	0.130	0.130	0.130	±0.005	
b	0.018	0.018	0.018	0.018	0.018	±0.002	
b2	0.060	0.060	0.060	0.060	0.060	+0.010/-0.015	
c	0.010	0.010	0.010	0.010	0.010	+0.004/-0.002	
D	0.375	0.750	0.750	0.890	1.020	±0.010	1
E	0.310	0.310	0.310	0.310	0.310	+0.015/-0.010	
E1	0.250	0.250	0.250	0.250	0.250	±0.005	2
e	0.100	0.100	0.100	0.100	0.100	Basic	
eA	0.300	0.300	0.300	0.300	0.300	Basic	
eB	0.345	0.345	0.345	0.345	0.345	±0.025	
L	0.125	0.125	0.125	0.125	0.125	±0.010	
N	8	14	16	18	20	Reference	

Rev. C 2/07

NOTES:

1. Plastic or metal protrusions of 0.010" maximum per side are not included.
2. Plastic interlead protrusions of 0.010" maximum per side are not included.
3. Dimensions E and eA are measured with the leads constrained perpendicular to the seating plane.
4. Dimension eB is measured with the lead tips unconstrained.
5. 8 and 16 lead packages have half end-leads as shown.

All Intersil U.S. products are manufactured, assembled and tested utilizing ISO9000 quality systems.
Intersil Corporation's quality certifications can be viewed at www.intersil.com/design/quality

Intersil products are sold by description only. Intersil Corporation reserves the right to make changes in circuit design, software and/or specifications at any time without notice. Accordingly, the reader is cautioned to verify that data sheets are current before placing orders. Information furnished by Intersil is believed to be accurate and reliable. However, no responsibility is assumed by Intersil or its subsidiaries for its use; nor for any infringements of patents or other rights of third parties which may result from its use. No license is granted by implication or otherwise under any patent or patent rights of Intersil or its subsidiaries.

For information regarding Intersil Corporation and its products, see www.intersil.com