

阅读申明

- 1.本站收集的数据手册和产品资料都来自互联网，版权归原作者所有。如读者和版权方有任何异议请及时告之，我们将妥善解决。
- 2.本站提供的中文数据手册是英文数据手册的中文翻译，其目的是协助用户阅读，该译文无法自动跟随原稿更新，同时也可能存在翻译上的不当。建议读者以英文原稿为参考以便获得更精准的信息。
- 3.本站提供的产品资料，来自厂商的技术支持或者使用者的心得体会等，其内容可能存在描述上的差异，建议读者做出适当判断。
- 4.如需与我们联系，请发邮件到marketing@iczoom.com，主题请标有“数据手册”字样。

Read Statement

1. The datasheets and other product information on the site are all from network reference or other public materials, and the copyright belongs to the original author and original published source. If readers and copyright owners have any objections, please contact us and we will deal with it in a timely manner.
2. The Chinese datasheets provided on the website is a Chinese translation of the English datasheets. Its purpose is for reader's learning exchange only and do not involve commercial purposes. The translation cannot be automatically updated with the original manuscript, and there may also be improper translations. Readers are advised to use the English manuscript as a reference for more accurate information.
3. All product information provided on the website refer to solutions from manufacturers' technical support or users the contents may have differences in description, and readers are advised to take the original article as the standard.
4. If you have any questions, please contact us at marketing@iczoom.com and mark the subject with "Datasheets" .

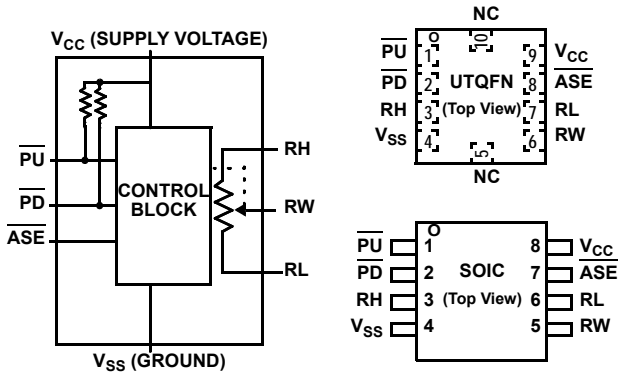
Low Noise, Low Power, 32 Taps, Push Button Controlled Potentiometer

The Intersil ISL22511 is a three-terminal digitally-controlled potentiometer (XDCP) implemented by a resistor array composed of 31 resistive elements and a wiper switching network. The ISL22511 features a push button control, a shutdown mode, as well as an industry-leading UTQFN package.

The push button control has individual \overline{PU} and \overline{PD} inputs for adjusting the wiper. To eliminate redundancy, the wiper position will automatically increment or decrement if one of these inputs is held longer than one second.

Forcing both \overline{PU} and \overline{PD} low for more than two seconds activates shutdown mode. Shutdown mode disconnects the top of the resistor chain and moves the wiper to the lowest position, minimizing power consumption.

The three terminals accessing the resistor chain naturally configure the ISL22511 as a voltage divider. A rheostat is easily formed by floating an end terminal or connecting it to the wiper.



Features

- Solid-State Non-Volatile Potentiometer
- Push Button Controlled
- Single or Auto Increment/Decrement
 - Fast Mode after 1s Button Press
- AUTOSTORE of Last Wiper Position or Manual Store of Wiper Position
- Shutdown Mode
- 32 Wiper Tap Points
 - Middle Scale Wiper Position on Power-Up
- Low Power CMOS
 - $V_{CC} = 2.7V$ to $5.5V$
 - Terminal Voltage, 0 to V_{CC}
 - Standby Current, $3\mu A$ Max
- R_{TOTAL} Value = $10k\Omega$, $50k\Omega$
- High reliability
 - Endurance: 1,000,000 data changes per bit per register
 - Register data retention: 50 years @ $T \leq +55^{\circ}C$
- Packages
 - 8 Ld SOIC
 - 10 Ld UTQFN (2.1mmx1.6mm)
- Pb-Free (RoHS Compliant)

Applications

- Volume Control
- LED/LCD Brightness Control
- Contrast Control
- Programming Bias Voltages
- Ladder Networks

Ordering Information

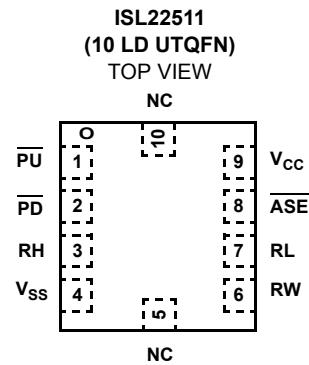
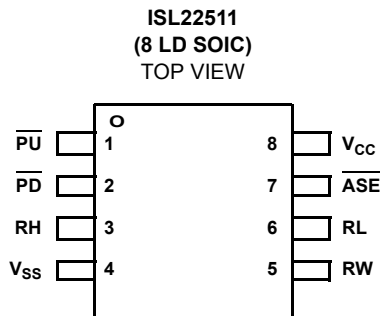
| PART NUMBER | PART MARKING | R _{TOTAL} (kΩ) | TEMP. RANGE(°C) | PACKAGE (Pb-Free) | PKG. DWG. # |
|--|--------------|-------------------------|-----------------|---------------------------|--------------|
| ISL22511WFB8Z* (Note 1) | 22511 WFBZ | 10 | -40 to +125 | 8 Ld SOIC | M8.15 |
| ISL22511UFB8Z* (Note 1) (No longer available, recommended replacement: ISL22511WFRU10Z-TK) | 22511 UFBZ | 50 | -40 to +125 | 8 Ld SOIC | M8.15 |
| ISL22511WFRU10Z-TK (Note 2) | GD | 10 | -40 to +125 | 10 Ld UTQFN Tape and Reel | L10.2.1x1.6A |
| ISL22511UFRU10Z-TK (Note 2) (No longer available, recommended replacement: ISL22511WFRU10Z-TK) | GC | 50 | -40 to +125 | 10 Ld UTQFN Tape and Reel | L10.2.1x1.6A |

*Add "-TK" suffix for tape and reel. Please refer to TB347 for details on reel specifications.

NOTES:

1. These Intersil Pb-free plastic packaged products employ special Pb-free material sets, molding compounds/die attach materials, and 100% matte tin plate plus anneal (e3 termination finish, which is RoHS compliant and compatible with both SnPb and Pb-free soldering operations). Intersil Pb-free products are MSL classified at Pb-free peak reflow temperatures that meet or exceed the Pb-free requirements of IPC/JEDEC J STD-020.
2. These Intersil Pb-free plastic packaged products employ special Pb-free material sets; molding compounds/die attach materials and NiPdAu plate - e4 termination finish, which is RoHS compliant and compatible with both SnPb and Pb-free soldering operations. Intersil Pb-free products are MSL classified at Pb-free peak reflow temperatures that meet or exceed the Pb-free requirements of IPC/JEDEC J STD-020.

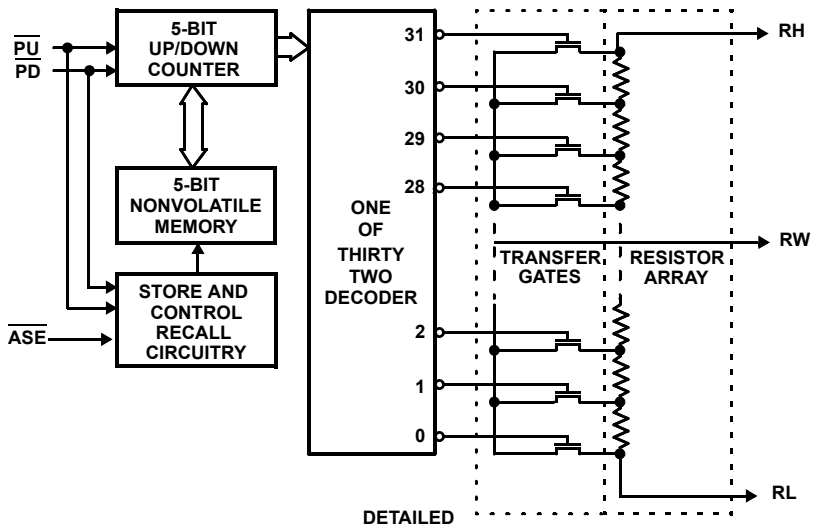
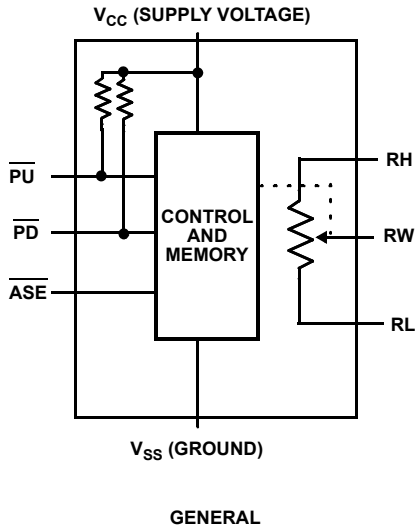
Pinouts



Pin Descriptions

| SOIC PIN | UTQFN PIN | SYMBOL | BRIEF DESCRIPTION |
|----------|-----------|------------------|--|
| 1 | 1 | \overline{PU} | The \overline{PU} is a falling-edge triggered input with internal pull-up. Toggling \overline{PU} will move the wiper close to RH terminal. |
| 2 | 2 | \overline{PD} | The \overline{PD} is a falling-edge triggered input with internal pull-up. Toggling \overline{PD} will move the wiper close to RL terminal. |
| 3 | 3 | RH | The RH and RL pins of the ISL22511 are equivalent to the fixed terminals of a mechanical potentiometer. The minimum voltage is V_{SS} and the maximum is V_{CC} . The terminology of RH and RL references the relative position of the terminal in relation to wiper movement direction selected by the PU/PD input. |
| 4 | 4 | V_{SS} | Ground |
| 5 | 6 | RW | The RW pin is the wiper terminal of the potentiometer which is equivalent to the movable terminal of a mechanical potentiometer. |
| 6 | 7 | RL | The RH and RL pins of the ISL22511 are equivalent to the fixed terminals of a mechanical potentiometer. The minimum voltage is V_{SS} and the maximum is V_{CC} . The terminology of RH and RL references the relative position of the terminal in relation to wiper movement direction selected by the PU/PD input. |
| 7 | 8 | \overline{ASE} | Active low AUTOSTORE enable input or Manual Store active low input. |
| 8 | 9 | V_{CC} | Supply Voltage. |
| - | 5, 10 | NC | No connection. |

Block Diagrams



Absolute Maximum Ratings

| | |
|--|---------------------------------|
| Storage temperature | -65°C to +150°C |
| Voltage at PU and PD Pin with Respect to GND | -0.3V to V _{CC} + 0.3V |
| V _{CC} | -0.3V to +6V |
| Voltage at any DCP Pin with Respect to GND | -0.3V to V _{CC} |
| I _W (10s) | ±6mA |
| Latchup | Class II, Level A @ +125°C |
| ESD Rating | |
| Human Body Model | 4kV |
| Machine Model | 300V |

Thermal Information

| | | |
|---|------------------------|------------------------|
| Thermal Resistance (Typical) | θ _{JA} (°C/W) | θ _{JC} (°C/W) |
| 8 Lead SOIC (Note 3) | 125 | N/A |
| 10 Lead UTQFN (Notes 3, 4) | 150 | 48.3 |
| Maximum Junction Temperature (Plastic Package) | +150°C | |
| Pb-free Reflow Profile | see link below | |
| http://www.intersil.com/pbfree/Pb-FreeReflow.asp | | |

Recommended Operating Conditions

| | |
|---|-----------------|
| Temperature Range (Extended Industrial) | -40°C to +125°C |
| V _{CC} | 2.7V to 5.5V |
| Power Rating | 15mW |
| Wiper Current | ±3.0mA |

CAUTION: Do not operate at or near the maximum ratings listed for extended periods of time. Exposure to such conditions may adversely impact product reliability and result in failures not covered by warranty.

NOTES:

- θ_{JA} is measured with the component mounted on a high effective thermal conductivity test board in free air. See Tech Brief TB379 for details.
- θ_{JC} is for the location in the center of the exposed metal pad on the package underside.

Potentiometer Specifications Over recommended operating conditions, unless otherwise specified.

| SYMBOL | PARAMETER | TEST CONDITIONS | MIN (Note 18) | TYP (Note 5) | MAX (Note 18) | UNIT |
|---|---|---|---------------|--------------|-----------------|------------------|
| R _{TOTAL} | RH to RL Resistance | W option | | 10 | | kΩ |
| | | U option | | 50 | | kΩ |
| | RH to RL Resistance Tolerance | | -20 | | +20 | % |
| | End-to-End Temperature Coefficient | W option | | | ±80 | |
| U option | | | | ±125 | | ppm/°C (Note 16) |
| R _W | Wiper Resistance | V _{CC} = 3.3V, wiper current I _{RW} = V _{CC} /R _{TOTAL} | | 130 | 400 | Ω |
| V _{RH} , V _{RL} | V _{RH} and V _{RL} Terminal Voltages | V _{RH} and V _{RL} to GND | 0 | | V _{CC} | V |
| | Noise on Wiper Terminal | From 0Hz to 10MHz | | -80 | | dBV |
| C _H /C _L /C _W (Note 17) | Potentiometer Capacitance | | | 10/10/25 | | pF |
| I _{LkgDCP} | Leakage on DCP Pins | Voltage at pin from GND to V _{CC} | | 0.05 | 0.4 | μA |
| VOLTAGE DIVIDER MODE (0V @ R_L; V_{CC} @ R_H; measured at R_W unloaded) | | | | | | |
| INL (Note 10) | Integral Non-Linearity | | -1 | | 1 | LSB (Note 6) |
| DNL (Note 9) | Differential Non-Linearity | Monotonic over all tap positions | -0.5 | | 0.5 | LSB (Note 6) |
| ZSerror (Note 7) | Zero-Scale Error | W option | 0 | 0.1 | 2 | LSB (Note 6) |
| | | U option | 0 | 0.1 | 1 | |
| FSerror (Note 8) | Full-Scale Error | W option | -2 | -0.1 | 0 | LSB (Note 6) |
| | | U option | -1 | -0.1 | 0 | |
| TC _V (Note 11) | Ratiometric Temperature Coefficient | Wiper from 5 hex to 1F hex for W and U option | | ±25 | | ppm/°C |
| f _{CUTOFF} | 3dB Cut-Off Frequency | Wiper at the middle scale, W option | | 500 | | kHz |
| | | Wiper at the middle scale, U option | | 75 | | kHz |
| RESISTOR MODE (Measurements between R_W and R_L with R_H not connected, or between R_W and R_H with R_L not connected) | | | | | | |
| RINL (Note 15) | Integral Non-Linearity | DCP register set between 1 hex and 1F hex; monotonic over all tap positions; W option | -1.5 | | 1.5 | MI (Note 12) |
| | | DCP register set between 1 hex and 1F hex; monotonic over all tap positions; U option | -1 | | 1 | MI (Note 12) |
| RDNL (Note 14) | Differential Non-Linearity | W and U option | -0.5 | | 0.5 | MI (Note 12) |

Potentiometer Specifications Over recommended operating conditions, unless otherwise specified. (Continued)

| SYMBOL | PARAMETER | TEST CONDITIONS | MIN (Note 18) | TYP (Note 5) | MAX (Note 18) | UNIT |
|----------------------|-----------|-----------------|------------------|-----------------|------------------|-----------------|
| Roffset (Note 13) | Offset | W option | 0 | 1 | 2 | MI (Note 12) |
| | | U option | 0 | 0.5 | 1 | MI (Note 12) |

DC Electrical Specifications Over recommended operating conditions unless otherwise specified.

| SYMBOL | PARAMETER | TEST CONDITIONS | MIN (Note 18) | TYP (Note 5) | MAX (Note 18) | UNIT |
|-----------------------------------|--|--|-----------------------|-----------------|-----------------------|------|
| I _{CC} | V _{CC} Active Current | V _{CC} = 5.5V, perform wiper move operation | | | 150 | μA |
| I _{CC} | V _{CC} Current During Store Operation | V _{CC} = 5.5V, perform non-volatile store operation | | | 2 | mA |
| I _{SB} | Standby Current | | | 0.6 | 3 | μA |
| I _{Lkg} | $\overline{\text{PU}}$, $\overline{\text{PD}}$ Input Leakage Current | V _{IN} = V _{SS} to V _{CC} | -2 | | +2 | μA |
| V _{IH} | $\overline{\text{PU}}$, $\overline{\text{PD}}$ Input HIGH Voltage | | V _{CC} × 0.7 | | | V |
| V _{IL} | $\overline{\text{PU}}$, $\overline{\text{PD}}$ input LOW Voltage | | | | V _{CC} × 0.1 | V |
| C _{IN} (Note 17) | $\overline{\text{PU}}$, $\overline{\text{PD}}$ Input Capacitance | V _{CC} = 3.3V, T _A = +25°C, f = 1MHz | | 10 | | pF |
| R _{pull_up} (Note 17) | Pull-Up Resistor for $\overline{\text{PU}}$ and $\overline{\text{PD}}$ | | | 1 | | MΩ |

EEPROM SPECIFICATIONS

| | | | | | | |
|--|------------------|---------------------|-----------|--|--|--------|
| | EEPROM Endurance | | 1,000,000 | | | Cycles |
| | EEPROM Retention | Temperature ≤ +55°C | 50 | | | Years |

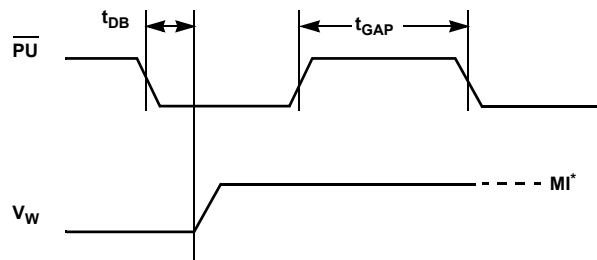
AC Electrical Specifications Over recommended operating conditions unless otherwise specified.

| SYMBOL | PARAMETER | MIN (Note 18) | TYP (Note 5) | MAX (Note 18) | UNIT |
|--------------------------------|--|------------------|-----------------|------------------|------|
| t _{GAP} | Time Between Two Separate Push Button Events | 2 | | | ms |
| t _{DB} | Debounce Time | | 15 | 28 | ms |
| t _{S SLOW} | Wiper Change on a Slow Mode | 100 | 250 | 390 | ms |
| t _{S FAST} | Wiper Change on a Fast Mode | 25 | 50 | 78 | ms |
| t _{stdn} (Note 17) | Time to Enter Shutdown Mode (keep $\overline{\text{PU}}$ and $\overline{\text{PD}}$ LOW) | | 2 | | s |
| t _{PU} | Power-Up to Wiper Stable | | | 500 | μs |
| t _{R VCC} | V _{CC} Power-Up Rate | 0.2 | | 50 | V/ms |

NOTES:

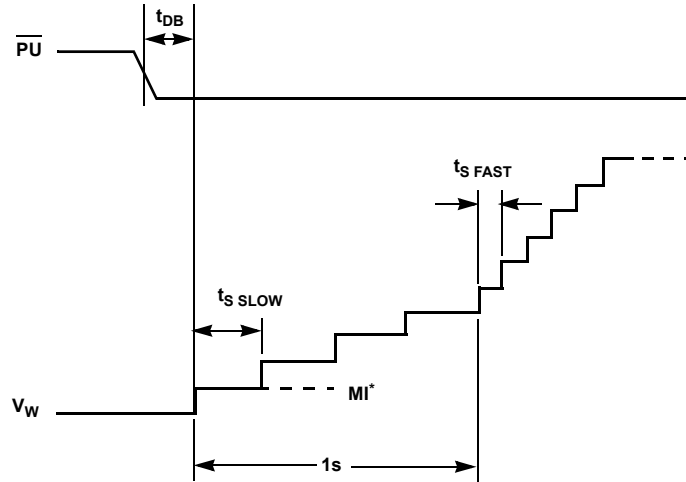
- Typical values are for T_A = +25°C and 3.3V supply voltage.
- LSB: [V(RW)₃₁ - V(RW)₀]/31. V(RW)₃₁ and V(RW)₀ are voltage on RW pin for the DCP register set to 1F hex and 00 hex respectively. LSB is the incremental voltage when changing from one tap to an adjacent tap.
- ZS error = V(RW)₀/LSB.
- FS error = [V(RW)₃₁ - V_{CC}]/LSB.
- DNL = [V(RW)_i - V(RW)_{i-1}]/LSB - 1, for i = 1 to 31; i is the DCP register setting.
- INL = [V(RW)_i - i • LSB - V(RW)]/LSB for i = 1 to 31
- $T_{CV} = \frac{\text{Max}(V(RW)_i) - \text{Min}(V(RW)_i)}{[\text{Max}(V(RW)_i) + \text{Min}(V(RW)_i)]/2} \times \frac{10^6}{+165^\circ\text{C}}$ for i = 5 to 31 decimal, T = -40°C to +125°C. Max() is the maximum value of the wiper voltage and Min() is the minimum value of the wiper voltage over the temperature range.
- MI = [RW₃₁ - RW₀]/31. MI is a minimum increment. RW₃₁ and RW₀ are the measured resistances for the DCP register set to 1F hex and 00 hex respectively.
- Roffset = RW₀/MI, when measuring between RW and RL.
Roffset = RW₃₁/MI, when measuring between RW and RH.
- RDNL = (RW_i - RW_{i-1})/MI, for i = 1 to 31.
- RINL = [RW_i - (MI • i) - RW₀]/MI, for i = 1 to 31.
- $T_{CR} = \frac{[\text{Max}(Ri) - \text{Min}(Ri)]}{[\text{Max}(Ri) + \text{Min}(Ri)]/2} \times \frac{10^6}{+165^\circ\text{C}}$ for i = 5 to 31, T = -40°C to +125°C. Max() is the maximum value of the resistance and Min() is the minimum value of the resistance over the temperature range.
- Limits should be considered typical and are not production tested.
- Parameters with MIN and/or MAX limits are 100% tested at +25°C, unless otherwise specified. Temperature limits established by characterization and are not production tested.

Slow Mode Timing



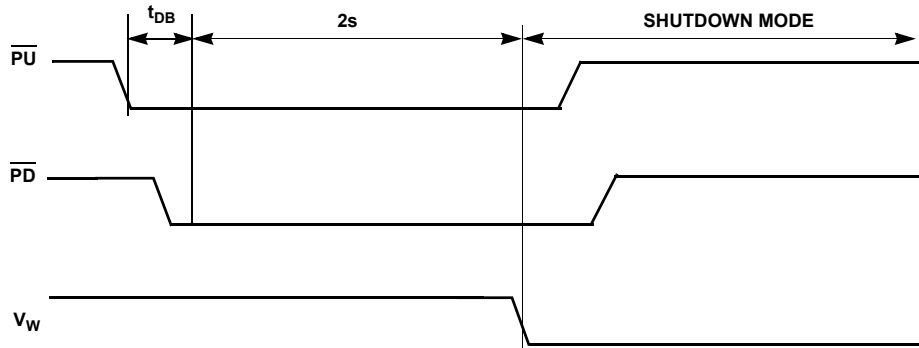
*MI in the AC timing diagram refers to the minimum incremental change in the wiper voltage.

Fast Mode Timing

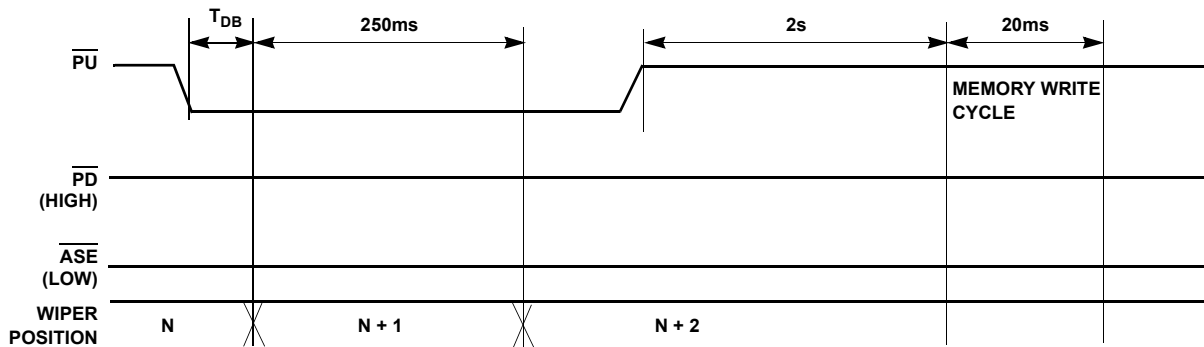


* MI in the AC timing diagram refers to the minimum incremental change in the wiper voltage.

Shutdown Mode Timing



AUTOSTORE Mode Timing



Typical Performance Curves

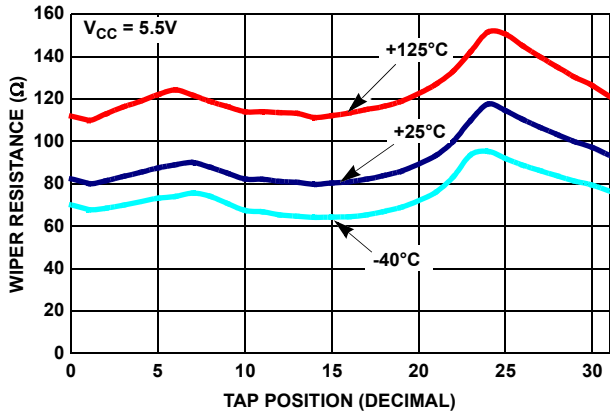


FIGURE 1. WIPER RESISTANCE vs TAP POSITION [$I(RW) = V_{CC}/R_{TOTAL}$] FOR 10kΩ (W)

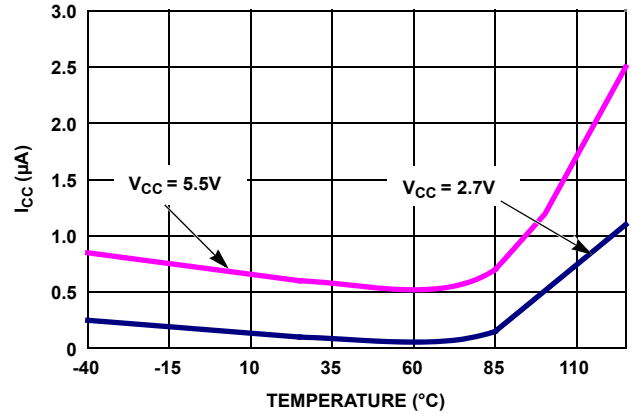


FIGURE 2. STANDBY I_{CC} vs TEMPERATURE

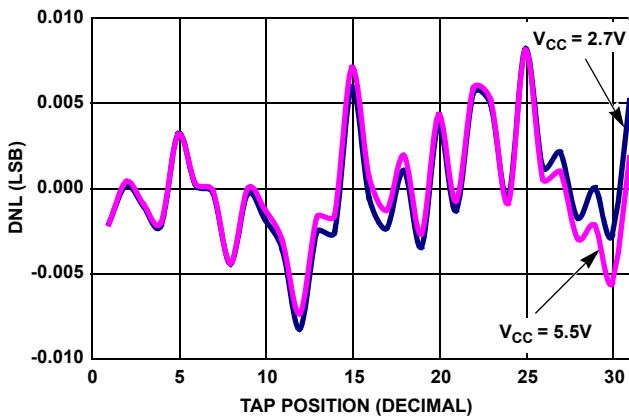


FIGURE 3. DNL vs TAP POSITION IN VOLTAGE DIVIDER MODE FOR 10kΩ (W)

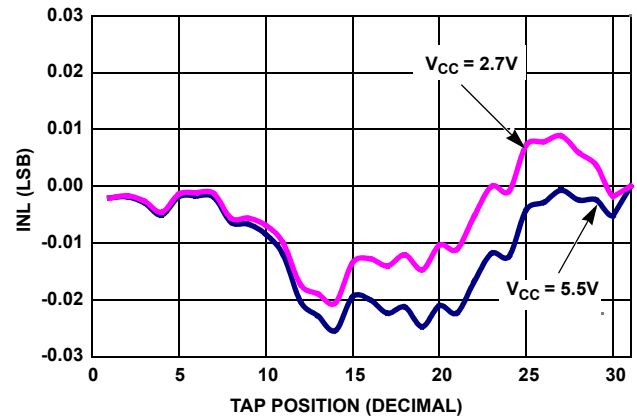


FIGURE 4. INL vs TAP POSITION IN VOLTAGE DIVIDER MODE FOR 10kΩ (W)

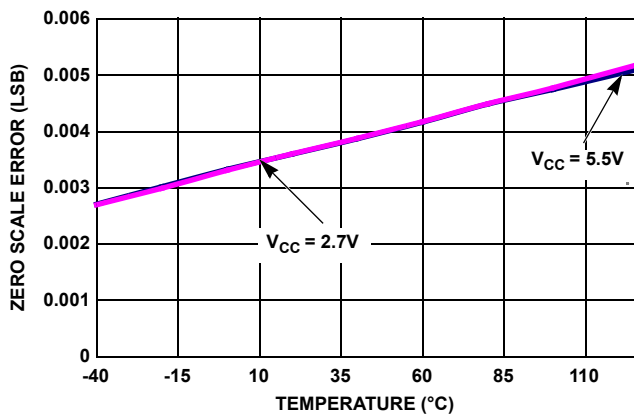


FIGURE 5. ZS ERROR vs TEMPERATURE

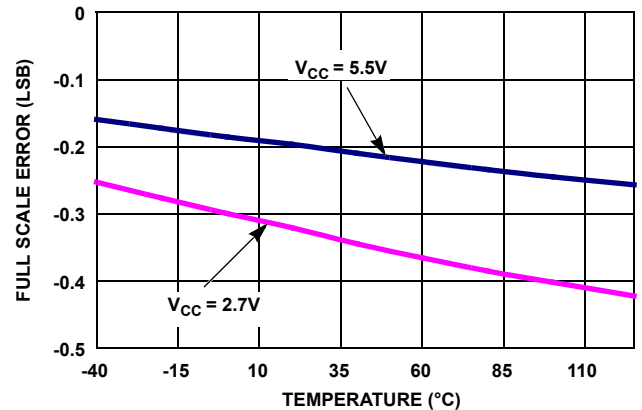


FIGURE 6. FS ERROR vs TEMPERATURE

Typical Performance Curves (Continued)

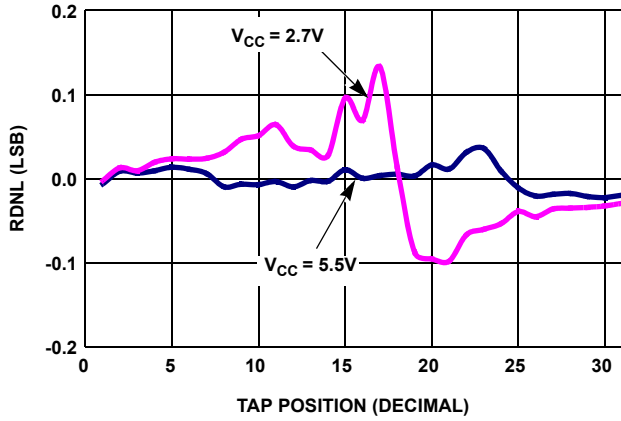


FIGURE 7. DNL vs TAP POSITION IN RHEOSTAT MODE FOR 10kΩ (W)

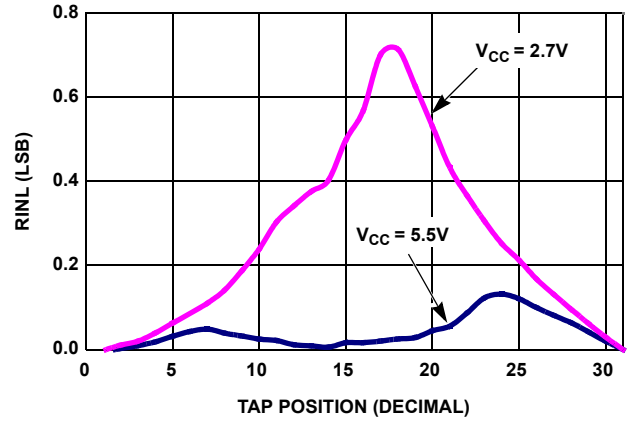


FIGURE 8. INL vs TAP POSITION IN RHEOSTAT MODE FOR 10kΩ (W)

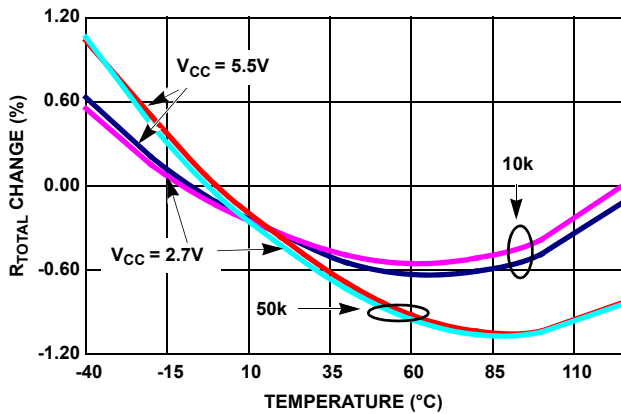


FIGURE 9. END TO END R_{TOTAL} % CHANGE vs TEMPERATURE

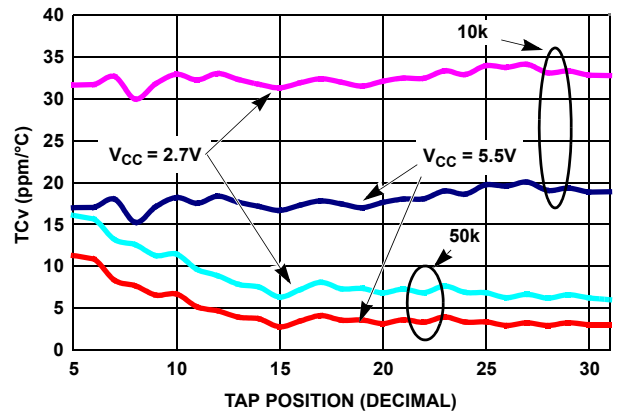


FIGURE 10. TC FOR VOLTAGE DIVIDER MODE IN ppm

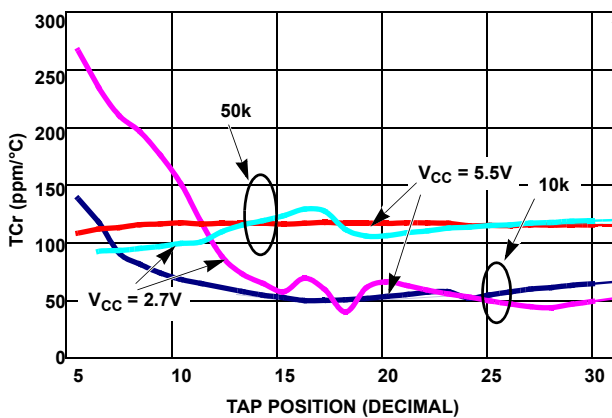


FIGURE 11. TC FOR RHEOSTAT MODE IN ppm

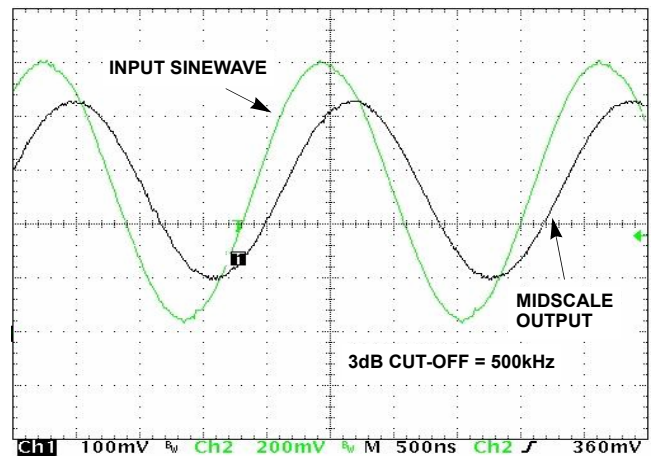


FIGURE 12. FREQUENCY RESPONSE (500kHz)

Power-Up and Down Requirements

There are no restrictions on the power-up or power-down conditions of V_{CC} and the voltages applied to the potentiometer pins provided that V_{CC} is always more positive than or equal to V_{RH} and V_{RL} , i.e., $V_{CC} \geq V_{RH}, V_{RL}$. The V_{CC} ramp rate specification is always in effect.

Pin Descriptions

RH and RL

The RH and RL pins of the ISL22511 are equivalent to the fixed terminals of a mechanical potentiometer. The minimum voltage is V_{SS} and the maximum is V_{CC} . The terminology of RH and RL references the relative position of the terminal in relation to wiper movement direction.

RW

The RW pin is the wiper terminal of the potentiometer which is equivalent to the movable terminal of a mechanical potentiometer.

\overline{PU}

The debounced \overline{PU} input is used to increment the wiper position. An on-chip pull-up holds the \overline{PU} input HIGH. A switch closure to ground or a LOW logic level will, after a debounce time, move the wiper to the next adjacent higher tap position.

\overline{PD}

The debounced \overline{PD} input is used to decrement the wiper position. An on-chip pull-up holds the \overline{PD} input HIGH. A switch closure to ground or a LOW logic level will, after a debounce time, move the wiper to the next adjacent lower tap position.

\overline{ASE}

The debounced \overline{ASE} (AUTOSTORE enable) pin can be in one of two states:

1. AUTOSTORE is enabled if \overline{ASE} is held LOW during power up.
2. AUTOSTORE is disabled if \overline{ASE} is held HIGH during power-up. A LOW to HIGH transition will initiate a manual store operation. This is for the user who wishes to connect a push button switch to this pin. For every valid push, the ISL22511 will store the current wiper position to the EEPROM.

Device Operation

There are three sections of the ISL22511: the input control, counter and decode section; the EEPROM memory; and the resistor array. The input control section operates just like an up/down counter. The output of this counter is decoded to turn on a single electronic switch, connecting a point on the resistor array to the wiper output. Under the proper conditions, the contents of the counter can be stored in EEPROM memory and retained for future use. The resistor

array is comprised of 31 individual resistors connected in series. At either end of the array and between each resistor is an electronic switch that transfers the potential at that point to the wiper.

The ISL22511 is designed to interface directly to two push button switches for effectively moving the wiper up or down. The \overline{PU} and \overline{PD} inputs increment or decrement a 5-bit counter respectively. The output of this counter is decoded to select one of the thirty-two wiper positions along the resistive array. The wiper increment input, \overline{PU} and the wiper decrement input, \overline{PD} are both connected to an internal pull-up so that they normally remain HIGH. When pulled LOW by an external push button switch or a logic LOW level input, the wiper will be switched to the next adjacent tap position.

Internal debounce circuitry prevents inadvertent switching of the wiper position if \overline{PU} or \overline{PD} remain LOW for less than 15ms, typical. Each of the buttons can be pushed either once for a single increment/decrement or continuously for a multiple increments/decrements. The number of increments/decrements of the wiper position depends on how long the button is being pushed. When making a continuous push, after the first second, the increment/decrement speed increases. For the first second, the device will be in the slow scan mode. Then, if the button is held for longer than 1 second, the device will go into the fast scan mode. As soon as the button is released, the ISL22511 will return to a standby condition.

If two or more buttons are pressed simultaneously, all commands are ignored upon release of ALL buttons, except Shutdown Mode condition.

The wiper, when at either fixed terminal, acts like its mechanical equivalent and does not move beyond the last position. That is, the counter does not wrap around when clocked to either extreme.

AUTOSTORE

The value of the counter is stored in EEPROM memory after 2 seconds of no activity on \overline{PU} or \overline{PD} inputs while \overline{ASE} is enabled (held LOW). When power is restored, the content of the memory is recalled and the counter resets to the last value stored.

If AUTOSTORE is to be implemented, \overline{ASE} is typically hard wired to V_{SS} . If \overline{ASE} is held HIGH during power-up and then taken LOW, the wiper will not respond to the \overline{PU} or \overline{PD} inputs until \overline{ASE} is brought HIGH and held HIGH.

Manual (Push Button) Store

When \overline{ASE} is not enabled (held HIGH), a push button switch may be used to pull \overline{ASE} LOW for more than 15ms and released to perform a manual store of the wiper position.

During memory write cycle all inputs will be ignored.

Shutdown Mode

The ISL22511 enters into Shutdown Mode if both \overline{PU} and \overline{PD} inputs are kept LOW for 2 seconds. In this mode, the resistors array is totally disconnected from its RH pin and the wiper is moved to position closest to RL pin, as shown in Figure 13. Note, that \overline{PU} and \overline{PD} inputs must be pulled LOW within t_{DB} time window of 15ms, see “Shutdown Mode Timing” on page 7. Otherwise all command will be ignored till both inputs will be released.

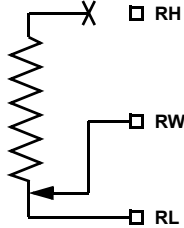


FIGURE 13. DCP CONNECTION IN SHUTDOWN MODE

Holding either \overline{PU} , \overline{PD} or \overline{ASE} input LOW for more than 15ms will exit shutdown mode and return wiper to prior shutdown position. If \overline{PU} or \overline{PD} will be held LOW for more than 250ms, the ISL22511 will start auto-increment or auto-decrement of wiper position.

R_{TOTAL} with V_{CC} Removed

The end to end resistance of the array will fluctuate once V_{CC} is removed.

Revision History

The revision history provided is for informational purposes only and is believed to be accurate, but not warranted. Please go to the web to make sure that you have the latest revision.

| DATE | REVISION | CHANGE |
|-------------------|----------|--|
| September 9, 2015 | FN6678.1 | - Ordering Information Table on page 2. - Added About Intersil Verbiage. - Updated POD L10.2.1X1.6A to latest revision changes are as follow: Updated to new POD format by removing table listing dimensions and moving dimensions onto drawing. Added Typical Recommended Land Pattern. Removed package option. - Updated POD M8.15 to latest revision changes are as follow: Changed Note 1 "1982" to "1994" Changed in Typical Recommended Land Pattern the following: 2.41(0.095) to 2.20(0.087) 0.76 (0.030) to 0.60(0.023) 0.200 to 5.20(0.205) Updated to new POD format by removing table and moving dimensions onto drawing and adding land pattern. |
| 07/06/09 | FN6678.1 | Added reliability information on page 1 under Features and EEPROM Specifications in DC Electrical Spec Table. |
| 03/24/08 | FN6678.0 | Initial Release to web |

About Intersil

Intersil Corporation is a leading provider of innovative power management and precision analog solutions. The company's products address some of the largest markets within the industrial and infrastructure, mobile computing and high-end consumer markets.

For the most updated datasheet, application notes, related documentation and related parts, please see the respective product information page found at www.intersil.com.

You may report errors or suggestions for improving this datasheet by visiting www.intersil.com/ask.

Reliability reports are also available from our website at www.intersil.com/support.

All Intersil U.S. products are manufactured, assembled and tested utilizing ISO9001 quality systems.
Intersil Corporation's quality certifications can be viewed at www.intersil.com/design/quality

Intersil products are sold by description only. Intersil Corporation reserves the right to make changes in circuit design, software and/or specifications at any time without notice. Accordingly, the reader is cautioned to verify that data sheets are current before placing orders. Information furnished by Intersil is believed to be accurate and reliable. However, no responsibility is assumed by Intersil or its subsidiaries for its use; nor for any infringements of patents or other rights of third parties which may result from its use. No license is granted by implication or otherwise under any patent or patent rights of Intersil or its subsidiaries.

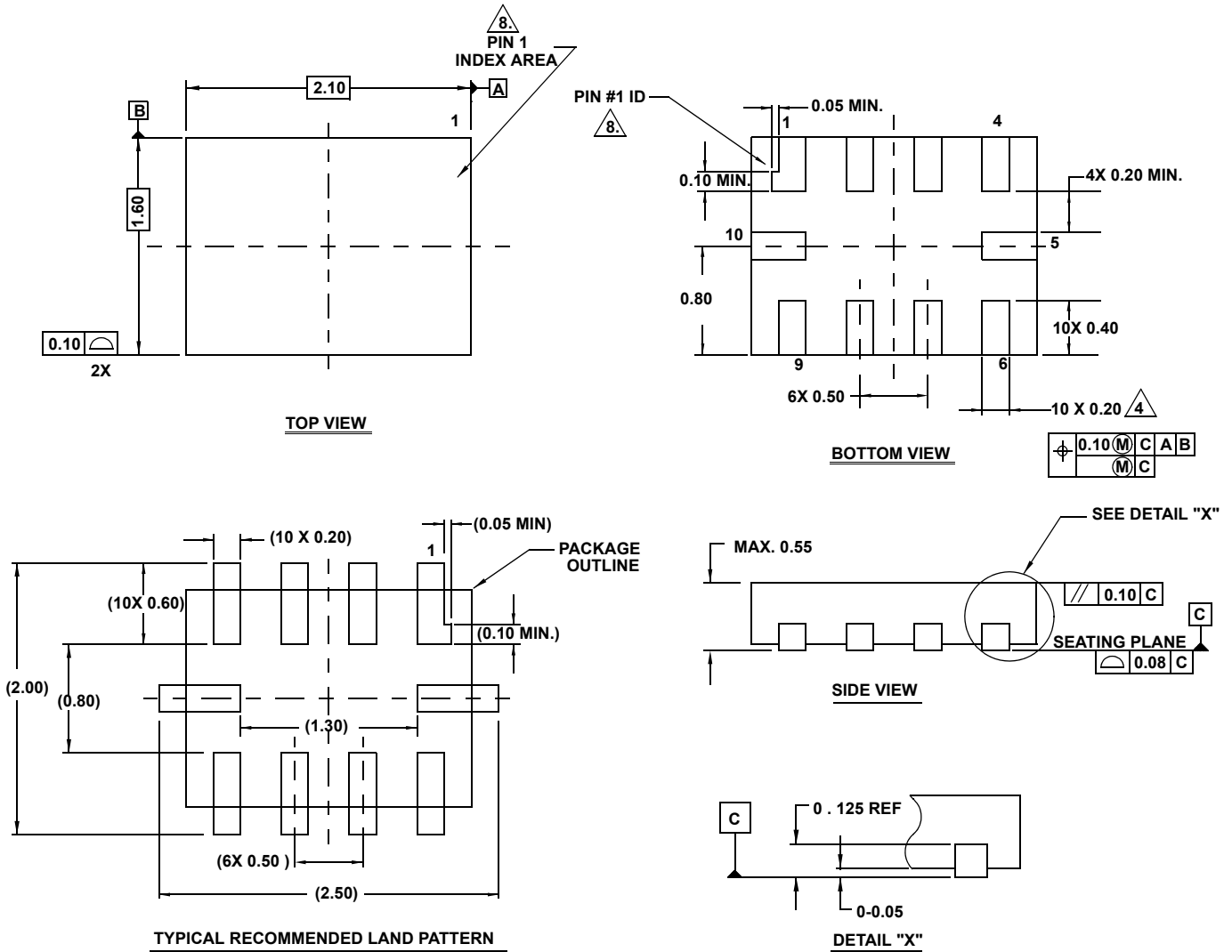
For information regarding Intersil Corporation and its products, see www.intersil.com

Package Outline Drawing

L10.2.1x1.6A

10 LEAD ULTRA THIN QUAD FLAT NO-LEAD PLASTIC PACKAGE

Rev 5, 3/10



NOTES:

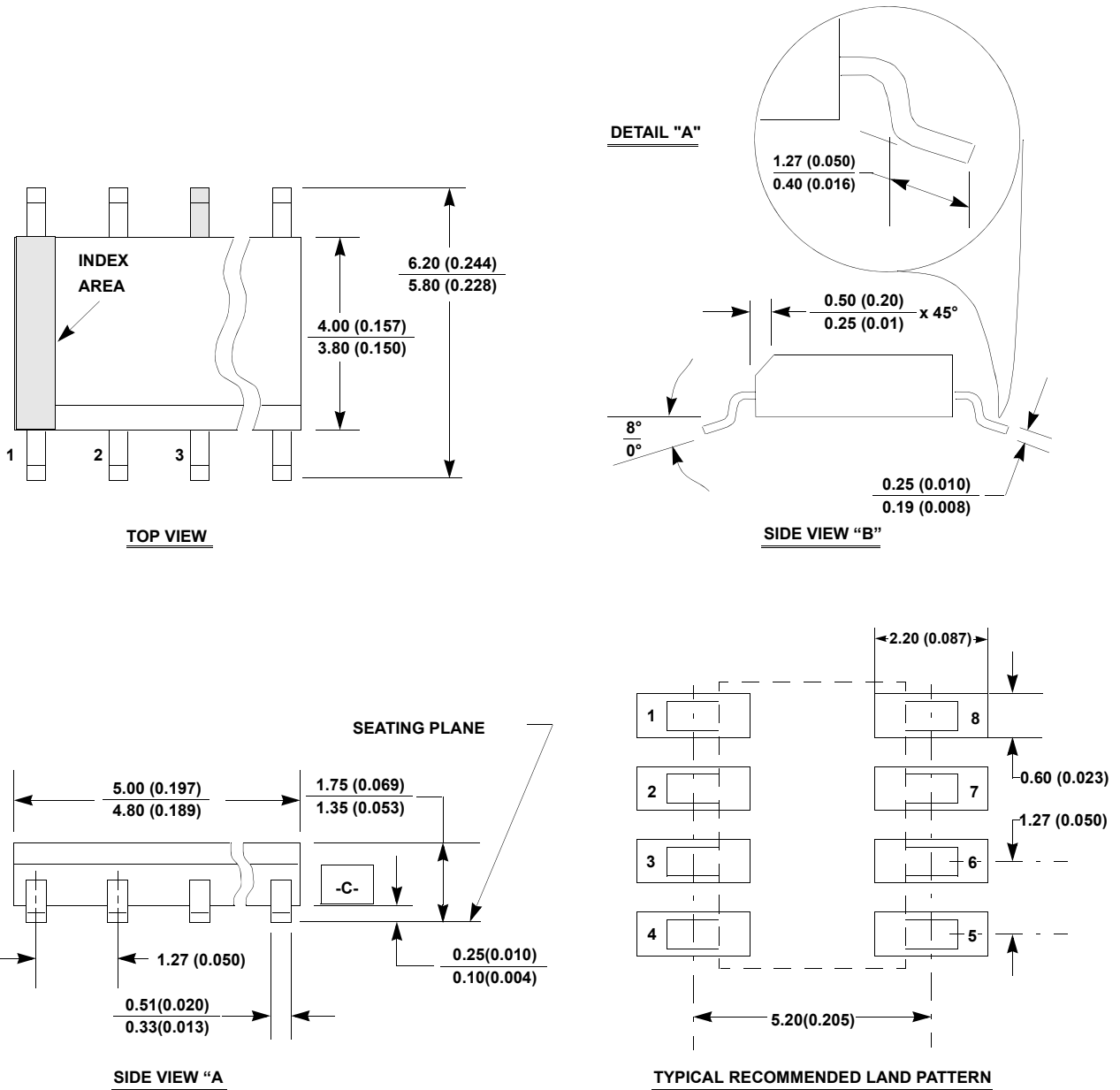
1. Dimensioning and tolerancing conform to ASME Y14.5M-1994.
2. All Dimensions are in millimeters. Angles are in degrees. Dimensions in () for Reference Only.
3. Unless otherwise specified, tolerance : Decimal ± 0.05
4. Lead width dimension applies to the metallized terminal and is measured between 0.15mm and 0.30mm from the terminal tip.
5. Maximum package warpage is 0.05mm.
6. Maximum allowable burrs is 0.076mm in all directions.
7. Same as JEDEC MO-255UABD except:
No lead-pull-back, MIN. Package thickness = 0.45 not 0.50mm
Lead Length dim. = 0.45mm max. not 0.42mm.
8. The configuration of the pin #1 identifier is optional, but must be located within the zone indicated. The pin #1 identifier may be either a mold or mark feature.

Package Outline Drawing

M8.15

8 LEAD NARROW BODY SMALL OUTLINE PLASTIC PACKAGE

Rev 4, 1/12



NOTES:

1. Dimensioning and tolerancing per ANSI Y14.5M-1994.
2. Package length does not include mold flash, protrusions or gate burrs. Mold flash, protrusion and gate burrs shall not exceed 0.15mm (0.006 inch) per side.
3. Package width does not include interlead flash or protrusions. Interlead flash and protrusions shall not exceed 0.25mm (0.010 inch) per side.
4. The chamfer on the body is optional. If it is not present, a visual index feature must be located within the crosshatched area.
5. Terminal numbers are shown for reference only.
6. The lead width as measured 0.36mm (0.014 inch) or greater above the seating plane, shall not exceed a maximum value of 0.61mm (0.024 inch).
7. Controlling dimension: MILLIMETER. Converted inch dimensions are not necessarily exact.
8. This outline conforms to JEDEC publication MS-012-AA ISSUE C.