

阅读申明

- 1.本站收集的数据手册和产品资料都来自互联网，版权归原作者所有。如读者和版权方有任何异议请及时告之，我们将妥善解决。
- 2.本站提供的中文数据手册是英文数据手册的中文翻译，其目的是协助用户阅读，该译文无法自动跟随原稿更新，同时也可能存在翻译上的不当。建议读者以英文原稿为参考以便获得更精准的信息。
- 3.本站提供的产品资料，来自厂商的技术支持或者使用者的心得体会等，其内容可能存在描述上的差异，建议读者做出适当判断。
- 4.如需与我们联系，请发邮件到marketing@iczoom.com，主题请标有“数据手册”字样。

Read Statement

1. The datasheets and other product information on the site are all from network reference or other public materials, and the copyright belongs to the original author and original published source. If readers and copyright owners have any objections, please contact us and we will deal with it in a timely manner.
2. The Chinese datasheets provided on the website is a Chinese translation of the English datasheets. Its purpose is for reader's learning exchange only and do not involve commercial purposes. The translation cannot be automatically updated with the original manuscript, and there may also be improper translations. Readers are advised to use the English manuscript as a reference for more accurate information.
3. All product information provided on the website refer to solutions from manufacturers' technical support or users the contents may have differences in description, and readers are advised to take the original article as the standard.
4. If you have any questions, please contact us at marketing@iczoom.com and mark the subject with "Datasheets" .

Low Noise, Low Power, 100 Taps, Digitally Controlled Potentiometer (XDCP™)

X9317

The Intersil X9317 is a digitally controlled potentiometer (XDCP™). The device consists of a resistor array, wiper switches, a control section, and nonvolatile memory. The wiper position is controlled by a 3-wire interface.

The potentiometer is implemented by a resistor array composed of 99 resistive elements and a wiper switching network. Between each element and at either end are tap points accessible to the wiper terminal. The position of the wiper element is controlled by the \overline{CS} , $\overline{U/D}$, and \overline{INC} inputs. The position of the wiper can be stored in nonvolatile memory and then be recalled upon a subsequent power-up operation.

The device can be used as a three-terminal potentiometer for voltage control or as a two-terminal variable resistor for current control in a wide variety of applications.

Applications

- LCD bias control
- DC bias adjustment
- Gain and offset trim
- Laser diode bias control
- Voltage regulator output control

Features

- Solid-state potentiometer
- 3-wire serial up/down interface
- 100 wiper tap points
 - Wiper position stored in nonvolatile memory and recalled on power-up
- 99 resistive elements
 - Temperature compensated
 - End-to-end resistance range $\pm 20\%$
- Low power CMOS
 - $V_{CC} = 2.7V$ to $5.5V$, and $5V \pm 10\%$
 - Standby current $< 5\mu A$
- High reliability
 - Endurance, 100,000 data changes per bit
 - Register data retention, 100 years
- R_{TOTAL} values = $10k\Omega$, $50k\Omega$, $100k\Omega$
- Packages
 - 8 Ld SOIC, TSSOP, and MSOP
- Pb-free (RoHS compliant)

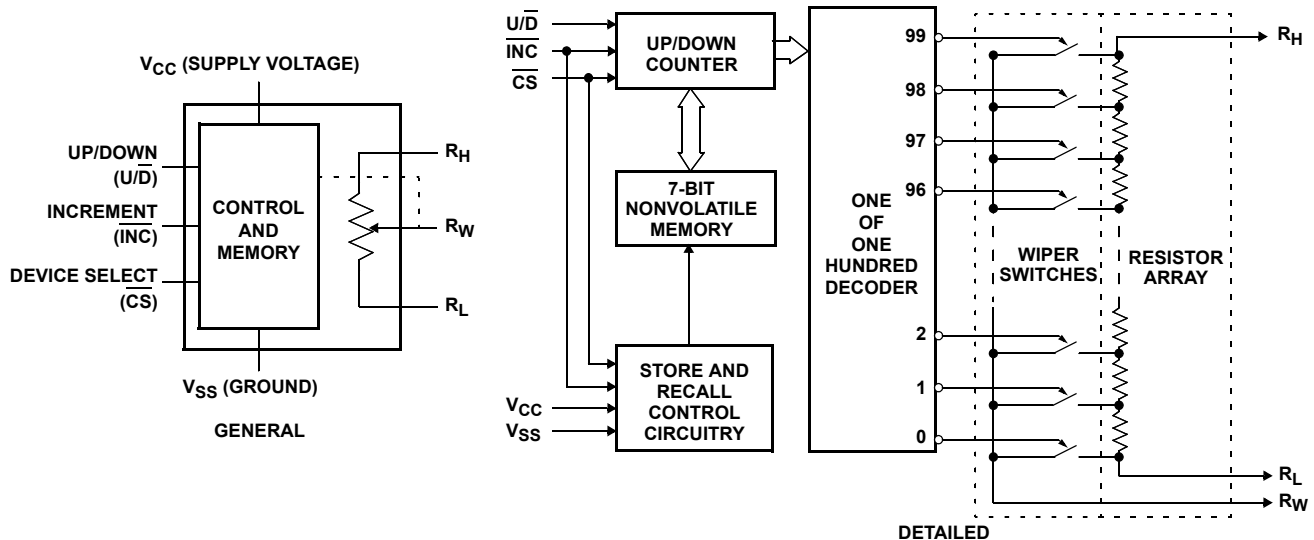


FIGURE 1. BLOCK DIAGRAM

Ordering Information

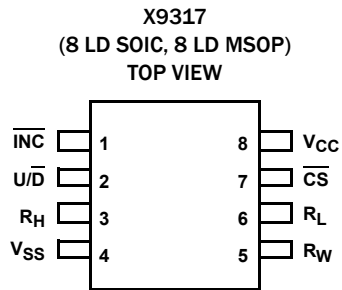
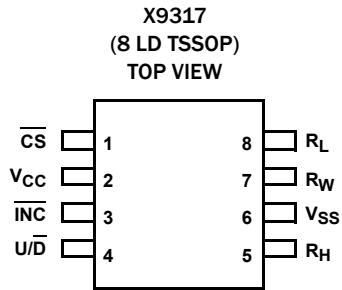
| PART NUMBER (Notes 1, 2, 3) | PART MARKING | V _{CC} LIMITS (V) | R _{TOTAL} (kΩ) | TEMPERATURE RANGE (°C) | PACKAGE (Pb-Free) | PKG. DWG. # | | | |
|--------------------------------|--------------|-------------------------------|----------------------------|---------------------------|----------------------|----------------|------------|-----------|--------|
| X9317WM8Z | DCW | 5 ±10% | 10 | 0 to +70 | 8 Ld MSOP | M8.118 | | | |
| X9317WM8IZ | DCT | | | -40 to +85 | 8 Ld MSOP | M8.118 | | | |
| X9317WS8Z | X9317W Z | | | 0 to +70 | 8 Ld SOIC | M8.15E | | | |
| X9317WS8IZ | X9317W ZI | | | -40 to +85 | 8 Ld SOIC | M8.15E | | | |
| X9317WV8Z | 9317W Z | | | 0 to +70 | 8 Ld TSSOP | M8.173 | | | |
| X9317WV8IZ | 9317W IZ | | | -40 to +85 | 8 Ld TSSOP | M8.173 | | | |
| X9317UM8Z | DCS | | 50 | 50 | 0 to +70 | 8 Ld MSOP | M8.118 | | |
| X9317UM8IZ | DCR | | | | -40 to +85 | 8 Ld MSOP | M8.118 | | |
| X9317US8Z | X9317U Z | | | | 0 to +70 | 8 Ld SOIC | M8.15E | | |
| X9317US8IZ | X9317U ZI | | | | -40 to +85 | 8 Ld SOIC | M8.15E | | |
| X9317UV8Z | 9317U Z | | | | 0 to +70 | 8 Ld TSSOP | M8.173 | | |
| X9317UV8IZ | 9317U IZ | | | | -40 to +85 | 8 Ld TSSOP | M8.173 | | |
| X9317TM8Z | DCN | | | 100 | 100 | 0 to +70 | 8 Ld MSOP | M8.118 | |
| X9317TM8IZ | DCL | | | | | -40 to +85 | 8 Ld MSOP | M8.118 | |
| X9317TS8Z | X9317T Z | | | | | 0 to +70 | 8 Ld SOIC | M8.15E | |
| X9317TS8IZ | X9317T ZI | | | | | -40 to +85 | 8 Ld SOIC | M8.15E | |
| X9317TV8Z | 9317T Z | 0 to +70 | 8 Ld TSSOP | | | M8.173 | | | |
| X9317TV8IZ | 9317T IZ | -40 to +85 | 8 Ld TSSOP | | | M8.173 | | | |
| X9317WM8Z-2.7 | DCX | 2.7 to 5.5 | 10 | | | 0 to +70 | 8 Ld MSOP | M8.118 | |
| X9317WM8IZ-2.7 | DCU | | | | | -40 to +85 | 8 Ld MSOP | M8.118 | |
| X9317WS8Z-2.7 | X9317W ZF | | | 0 to +70 | 8 Ld SOIC | M8.15E | | | |
| X9317WS8IZ-2.7 | X9317W ZG | | | -40 to +85 | 8 Ld SOIC | M8.15E | | | |
| X9317WV8Z-2.7 | 9317W FZ | | | 0 to +70 | 8 Ld TSSOP | M8.173 | | | |
| X9317WV8IZ-2.7 | AKZ | | | -40 to +85 | 8 Ld TSSOP | M8.173 | | | |
| X9317UM8Z-2.7 | AOB | | 50 | 50 | 0 to +70 | 8 Ld MSOP | M8.118 | | |
| X9317UM8IZ-2.7 | AOH | | | | -40 to +85 | 8 Ld MSOP | M8.118 | | |
| X9317US8Z-2.7 | X9317U ZF | | | | 0 to +70 | 8 Ld SOIC | M8.15E | | |
| X9317US8IZ-2.7 | X9317U ZG | | | | -40 to +85 | 8 Ld SOIC | M8.15E | | |
| X9317UV8Z-2.7 | 9317U FZ | | | | 0 to +70 | 8 Ld TSSOP | M8.173 | | |
| X9317UV8IZ-2.7 | 9317U GZ | | | | -40 to +85 | 8 Ld TSSOP | M8.173 | | |
| X9317TM8Z-2.7 | DCP | | | | 100 | 100 | 0 to +70 | 8 Ld MSOP | M8.118 |
| X9317TM8IZ-2.7 | DCM | | | | | | -40 to +85 | 8 Ld MSOP | M8.118 |
| X9317TS8Z-2.7 | X9317T ZF | | 0 to +70 | 8 Ld SOIC | | | M8.15E | | |
| X9317TS8IZ-2.7 | X9317T ZG | | -40 to +85 | 8 Ld SOIC | | | M8.15E | | |
| X9317TV8Z-2.7 | 9317T FZ | | 0 to +70 | 8 Ld TSSOP | | | M8.173 | | |
| X9317TV8IZ-2.7 | 9317T GZ | | -40 to +85 | 8 Ld TSSOP | | | M8.173 | | |

NOTES:

1. Add "T1" suffix for tape and reel. Please refer to [TB347](#) for details on reel specifications.
2. These Intersil Pb-free plastic packaged products employ special Pb-free material sets, molding compounds/die attach materials, and 100% matte tin plate plus anneal (e3 termination finish, which is RoHS compliant and compatible with both SnPb and Pb-free soldering operations). Intersil Pb-free products are MSL classified at Pb-free peak reflow temperatures that meet or exceed the Pb-free requirements of IPC/JEDEC J STD-020.
3. For Moisture Sensitivity Level (MSL), please see device information page for [X9317](#). For more information on MSL please see tech brief [TB363](#).

X9317

Pin Configurations



Pin Descriptions

| SOIC/MSOP | TSSOP | SYMBOL | BRIEF DESCRIPTION |
|-----------|-------|------------------|--|
| 1 | 3 | \overline{INC} | Increment Toggling \overline{INC} while \overline{CS} is low moves the wiper either up or down. |
| 2 | 4 | U/\overline{D} | Up/Down The U/\overline{D} input controls the direction of the wiper movement. |
| 3 | 5 | R_H | The high terminal is equivalent to one of the fixed terminals of a mechanical potentiometer. |
| 4 | 6 | V_{SS} | Ground |
| 5 | 7 | R_W | The wiper terminal is equivalent to the movable terminal of a mechanical potentiometer. |
| 6 | 8 | R_L | The low terminal is equivalent to one of the fixed terminals of a mechanical potentiometer. |
| 7 | 1 | \overline{CS} | Chip Select The device is selected when the \overline{CS} input is LOW, and de-selected when \overline{CS} is high. |
| 8 | 2 | V_{CC} | Supply Voltage |

X9317

Absolute Maximum Ratings

| | |
|---|--------------|
| I_W (10s) | ± 8.8 mA |
| R_H , R_W , R_L to Ground | +6V |
| Voltage on \overline{CS} , \overline{INC} , U/\overline{D} and V_{CC} with Respect to V_{SS} | -1V to +7V |

Thermal Information

| | | |
|---------------------------------------|---|---|
| Thermal Resistance (Typical) | θ_{JA} ($^{\circ}\text{C}/\text{W}$) | θ_{JC} ($^{\circ}\text{C}/\text{W}$) |
| SOIC Package (Notes 4, 5) | 115 | 60 |
| MSOP Package (Notes 4, 5) | 145 | 55 |
| TSSOP Package (Notes 4, 5) | 155 | 49 |
| Junction Temperature Under Bias | -65 $^{\circ}\text{C}$ to +135 $^{\circ}\text{C}$ | |
| Storage Temperature | -65 $^{\circ}\text{C}$ to +150 $^{\circ}\text{C}$ | |
| Pb-Free Reflow Profile | see TB493 | |

CAUTION: Do not operate at or near the maximum ratings listed for extended periods of time. Exposure to such conditions may adversely impact product reliability and result in failures not covered by warranty.

NOTES:

- θ_{JA} is measured with the component mounted on a high effective thermal conductivity test board in free air. See Tech Brief [TB379](#) for details.
- For θ_{JC} , the "case temp" location is taken at the package top center.

Potentiometer Specifications V_{CC} = full range. Boldface limits apply across the operating temperature range, -40 $^{\circ}\text{C}$ to +85 $^{\circ}\text{C}$ (Industrial) and 0 $^{\circ}\text{C}$ to +70 $^{\circ}\text{C}$ (Commercial).

| SYMBOL | PARAMETER | TEST CONDITIONS/NOTES | MIN (Note 13) | TYP (Note 9) | MAX (Note 13) | UNIT |
|----------------------------|--|---|----------------------------|-----------------|----------------------------|-------------------------|
| R_{TOTAL} | End-to-end Resistance Tolerance | See "Ordering Information" on page 2 for values | -20 | | +20 | % |
| $V_{RH/RL}$ | R_H/R_L Terminal Voltage | $V_{SS} = 0\text{V}$ | V_{SS} | | V_{CC} | V |
| | Power Rating | $R_{TOTAL} \geq 10\text{k}\Omega$ | | | 10 | mW |
| R_W | Wiper Resistance | $I_W = [V(R_H) - V(R_L)] / R_{TOTAL}$, $V_{CC} = 5\text{V}$ | | 200 | 400 | Ω |
| | | $I_W = [V(R_H) - V(R_L)] / R_{TOTAL}$, $V_{CC} = 2.7\text{V}$ | | 400 | 1000 | Ω |
| I_W | Wiper Current (Note 10) | See "Test Circuit" on page 5 | -4.4 | | +4.4 | mA |
| | Noise (Note 12) | Ref: 1kHz | | -120 | | dBV |
| | Resolution | | | 1 | | % |
| | Absolute Linearity (Note 6) | $V(R_H) = V_{CC}$, $V(R_L) = 0\text{V}$ | -1 | | +1 | MI (Note 8) |
| | Relative Linearity (Note 7) | $V(R_H) = V_{CC}$, $V(R_L) = 0\text{V}$ | -0.2 | | +0.2 | MI (Note 8) |
| | R_{TOTAL} Temperature Coefficient (Note 10) | $V(R_H) = V_{CC}$, $V(R_L) = 0\text{V}$ | | | ± 300 | ppm/ $^{\circ}\text{C}$ |
| | Ratiometric Temperature Coefficient (Notes 10, 11) | | | | ± 20 | ppm/ $^{\circ}\text{C}$ |
| $C_H/C_L/C_W$ (Note 10) | Potentiometer Capacitances | See "Equivalent Circuit" on page 5 | | 10/10/25 | | pF |
| V_{CC} | Supply Voltage | X9317 | 4.5 | | 5.5 | V |
| | | X9317-2.7 | 2.7 | | 5.5 | V |

X9317

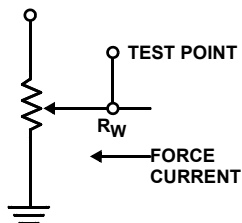
DC Electrical Specifications $V_{CC} = 5V \pm 10\%$. Boldface limits apply across the operating temperature range, $-40^{\circ}C$ to $+85^{\circ}C$ (Industrial) and $0^{\circ}C$ to $+70^{\circ}C$ (Commercial).

| SYMBOL | PARAMETER | TEST CONDITIONS | MIN (Note 13) | TYP (Note 9) | MAX (Note 13) | UNIT |
|--------------------|---|--|---------------------------------------|-----------------|---------------------------------------|---------|
| I_{CC1} | V_{CC} Active Current (Increment) | $\overline{CS} = V_{IL}$, $U/\overline{D} = V_{IL}$ or V_{IH} and $\overline{INC} = V_{IL}/V_{IH}$ at min. t_{CYC} R_L, R_H, R_W not connected | | | 80 | μA |
| I_{CC2} | V_{CC} Active Current (Store) (non-volatile write) | $\overline{CS} = V_{IH}$, $U/\overline{D} = V_{IL}$ or V_{IH} and $\overline{INC} = V_{IL}$ or V_{IH} . R_L, R_H, R_W not connected | | | 400 | μA |
| I_{SB} | Standby Supply Current | $\overline{CS} \geq V_{IH}$, U/\overline{D} and $\overline{INC} = V_{IL}$ R_L, R_H, R_W not connected | | | 5 | μA |
| I_{LI} | $\overline{CS}, \overline{INC}, U/\overline{D}$ Input Leakage Current | $V_{IN} = V_{SS}$ to V_{CC} | -10 | | +10 | μA |
| V_{IH} | $\overline{CS}, \overline{INC}, U/\overline{D}$ Input HIGH Voltage | | $V_{CC} \times 0.7$ | | $V_{CC} + 0.5$ | V |
| V_{IL} | $\overline{CS}, \overline{INC}, U/\overline{D}$ Input LOW Voltage | | -0.5 | | $V_{CC} \times 0.1$ | V |
| C_{IN} (Note 10) | $\overline{CS}, \overline{INC}, U/\overline{D}$ Input Capacitance | $V_{CC} = 5V, V_{IN} = V_{SS}, T_A = +25^{\circ}C, f = 1MHz$ | | 10 | | pF |

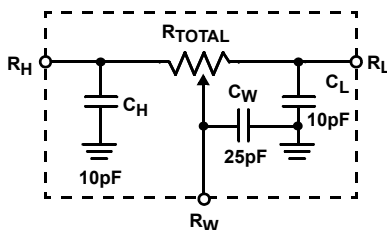
Endurance and Data Retention $V_{CC} = 5V \pm 10\%$, $T_A =$ Full Operating Temperature Range.

| PARAMETER | MIN | UNIT |
|-------------------|---------|----------------------|
| Minimum Endurance | 100,000 | Data changes per bit |
| Data Retention | 100 | Years |

Test Circuit



Equivalent Circuit



AC Conditions of Test

| | |
|---------------------------|----------|
| Input pulse levels | 0V to 3V |
| Input rise and fall times | 10ns |
| Input reference levels | 1.5V |

AC Electrical Specifications $V_{CC} = 5V \pm 10\%$. Boldface limits apply across the operating temperature range, $-40^{\circ}C$ to $+85^{\circ}C$ (Industrial) and $0^{\circ}C$ to $+70^{\circ}C$ (Commercial).

| SYMBOL | PARAMETER | MIN (Note 13) | TYP (Note 9) | MAX (Note 13) | UNIT |
|--------------------------|---|------------------|-----------------|------------------|---------|
| t_{CI} | \overline{CS} to \overline{INC} Setup | 50 | | | ns |
| t_{ID} (Note 10) | \overline{INC} HIGH to U/\overline{D} Change | 100 | | | ns |
| t_{DI} (Note 10) | U/\overline{D} to \overline{INC} Setup | 1 | | | μs |
| t_{IL} | \overline{INC} LOW Period | 960 | | | ns |
| t_{IH} | \overline{INC} HIGH Period | 960 | | | ns |
| t_{IC} | \overline{INC} Inactive to \overline{CS} Inactive | 1 | | | μs |
| t_{CPHS} | \overline{CS} Deselect Time (STORE) | 10 | | | ms |
| t_{CPHNS} (Note 10) | \overline{CS} Deselect Time (NO STORE) | 100 | | | ns |
| t_{IW} | \overline{INC} to R_W Change | | 1 | 5 | μs |
| t_{CYC} | \overline{INC} Cycle Time | 2 | | | μs |

AC Electrical Specifications $V_{CC} = 5V \pm 10\%$. **Boldface limits apply across the operating temperature range, -40 °C to +85 °C (Industrial) and 0 °C to +70 °C (Commercial).** (Continued)

| SYMBOL | PARAMETER | MIN (Note 13) | TYP (Note 9) | MAX (Note 13) | UNIT |
|---------------------------|---|------------------|-----------------|------------------|---------|
| t_R, t_F (Note 10) | \overline{INC} Input Rise and Fall Time | | | 500 | μs |
| t_{PU} (Note 10) | Power-up to Wiper Stable | | | 5 | μs |
| $t_R V_{CC}$ (Note 10) | V_{CC} Power-up Rate | 0.2 | | 50 | V/ms |
| t_{WR} | Store Cycle | | 5 | 10 | ms |

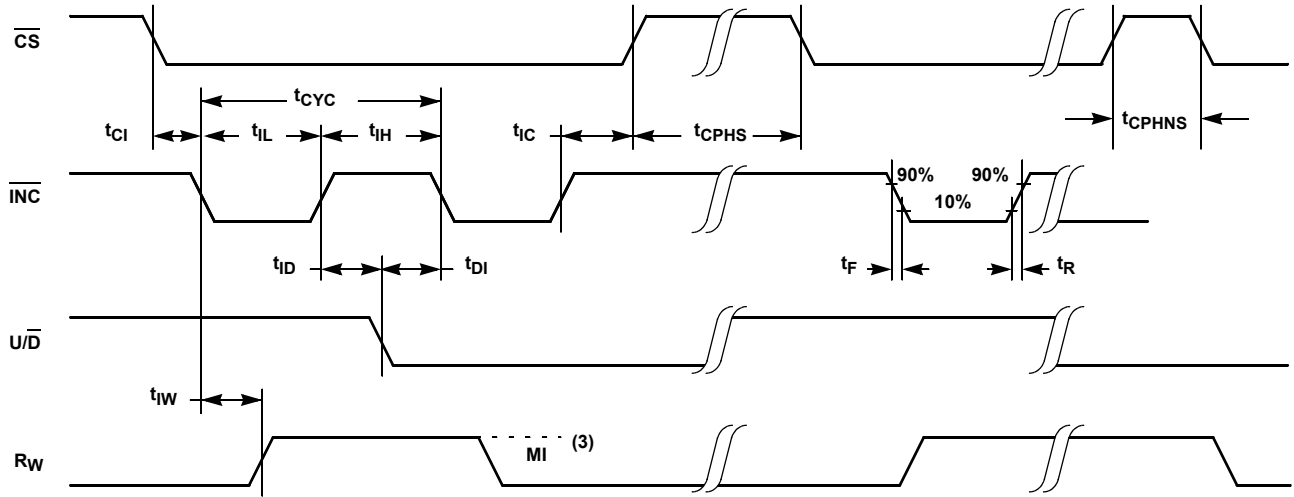
NOTES:

6. Absolute linearity is utilized to determine actual wiper voltage versus expected voltage = $[V(R_{W(n)(actual)}) - V(R_{W(n)(expected)})] / MI$
 $V(R_{W(n)(expected)}) = n(V(R_H) - V(R_L)) / 99 + V(R_L)$, with n from 0 to 99.
7. Relative linearity is a measure of the error in step size between taps = $[V(R_{W(n+1)}) - (V(R_{W(n)}) - MI)] / MI$.
8. 1 MI = Minimum Increment = $[V(R_H) - V(R_L)] / 99$.
9. Typical values are for $T_A = +25^\circ C$ and nominal supply voltage.
10. This parameter is not 100% tested.
11. Ratiometric temperature coefficient = $(V(R_{W(T1(n))}) - V(R_{W(T2(n))})) / [V(R_{W(T1(n))}) - V(R_{W(T2(n))}) - MI] \times 10^6$, with T1 and T2 being 2 temperatures, and n from 0 to 99.
12. Measured with wiper at tap position 99, R_L grounded, using test circuit.
13. Parameters with MIN and/or MAX limits are 100% tested at +25 °C, unless otherwise specified. Temperature limits established by characterization and are not production tested.

Power-up and Down Requirements

The recommended power-up sequence is to apply V_{CC}/V_{SS} first, then the potentiometer voltages. During power-up, the data sheet parameters for the DCP do not fully apply until 1ms after V_{CC} reaches its final value. The V_{CC} ramp spec is always in effect. In order to prevent unwanted tap position changes, or an inadvertent store, bring the \overline{CS} and \overline{INC} high before or concurrently with the V_{CC} pin on power-up.

AC Timing



Typical Performance Characteristic

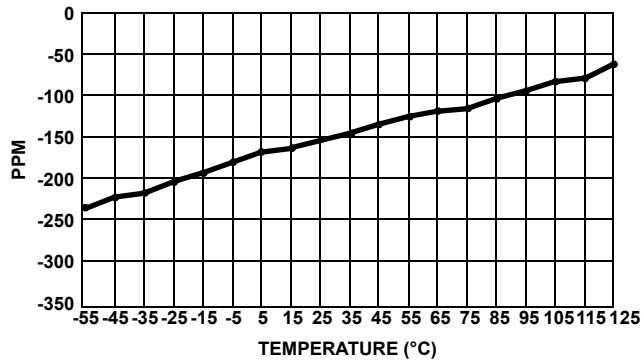


FIGURE 2. TYPICAL TOTAL RESISTANCE TEMPERATURE COEFFICIENT

Pin Descriptions

R_H and R_L

The high (R_H) and low (R_L) terminals of the X9317 are equivalent to the fixed terminals of a mechanical potentiometer. The terminology of R_L and R_H references the relative position of the terminal in relation to wiper movement direction selected by the U/\bar{D} input and not the voltage potential on the terminal.

R_W

R_W is the wiper terminal and is equivalent to the movable terminal of a mechanical potentiometer. The position of the wiper within the array is determined by the control inputs. The wiper terminal series resistance is typically 200 Ω .

Up/Down (U/\bar{D})

The U/\bar{D} input controls the direction of the wiper movement and whether the counter is incremented or decremented.

Increment (\bar{INC})

The \bar{INC} input is negative-edge triggered. Toggling \bar{INC} will move the wiper and either increment or decrement the counter in the direction indicated by the logic level on the U/\bar{D} input.

Chip Select (\bar{CS})

The device is selected when the \bar{CS} input is LOW. The current counter value is stored in nonvolatile memory when \bar{CS} is returned HIGH while the \bar{INC} input is also HIGH. After the store operation is complete, the X9317 will be placed in the low power standby mode until the device is selected once again.

Principles of Operation

There are three sections of the X9317: the control section, the nonvolatile memory, and the resistor array. The control section operates just like an up/down counter. The output of this counter is decoded to turn on a single electronic switch connecting a point on the resistor array to the wiper output. The contents of the counter can be stored in nonvolatile memory and retained for future use. The resistor array is comprised of 99 individual resistors connected in series. Electronic switches at either end of the array and between each resistor provide an electrical connection to the wiper pin, R_W .

The wiper acts like its mechanical equivalent and does not move beyond the first or last position. That is, the counter does not wrap around when clocked to either extreme.

The electronic switches on the device operate in a “make before break” mode when the wiper changes tap positions. If the wiper is moved several positions, multiple taps are connected to the wiper for t_{IW} (\bar{INC} to V_W change). The R_{TOTAL} value for the device can temporarily be reduced by a significant amount if the wiper is moved several positions.

When the device is powered-down, the last wiper position stored will be maintained in the nonvolatile memory. When power is restored, the contents of the memory are recalled and the wiper is set to the value last stored.

Instructions and Programming

The \bar{INC} , U/\bar{D} and \bar{CS} inputs control the movement of the wiper along the resistor array. With \bar{CS} set LOW, the device is selected and enabled to respond to the U/\bar{D} and \bar{INC} inputs. HIGH-to-LOW transitions on \bar{INC} will increment or decrement (depending on the state of the U/\bar{D} input) a 7-bit counter. The output of this counter is decoded to select one of one hundred wiper positions along the resistive array.

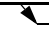
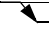

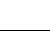
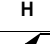

The value of the counter is stored in nonvolatile memory whenever \bar{CS} transitions HIGH while the \bar{INC} input is also HIGH.

The system may select the X9317, move the wiper and deselect the device without having to store the latest wiper position in nonvolatile memory. After the wiper movement is performed as previously described and once the new position is reached, the system must keep \bar{INC} LOW while taking \bar{CS} HIGH. The new wiper position will be maintained until changed by the system or until a power-up/down cycle recalls the previously stored data.

This procedure allows the system to always power-up to a preset value stored in nonvolatile memory; then during system operation minor adjustments could be made. The adjustments might be based on user preference, system parameter changes due to temperature drift, etc.

The state of U/\bar{D} may be changed while \bar{CS} remains LOW. This allows the host system to enable the device and then move the wiper up and down until the proper trim is attained.

Mode Selection

| \bar{CS} | \bar{INC} | U/\bar{D} | MODE |
|---|---|-------------|--|
| L |  | H | Wiper up |
| L |  | L | Wiper down |
|  | H | X | Store wiper position to nonvolatile memory |
| H | X | X | Standby |
|  | L | X | No store, return to standby |
|  | L | H | Wiper up (not recommended) |
|  | L | L | Wiper down (not recommended) |

Applications Information

Electronic digitally controlled (XDCP) potentiometers provide three powerful application advantages:

1. The variability and reliability of a solid-state potentiometer,
2. The flexibility of computer-based digital controls, and
3. The retentivity of nonvolatile memory used for the storage of multiple potentiometer settings or data.

Basic Configurations of Electronic Potentiometers

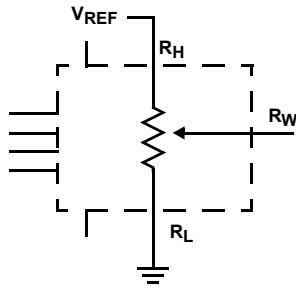


FIGURE 3. THREE TERMINAL POTENTIOMETER; VARIABLE VOLTAGE DIVIDER

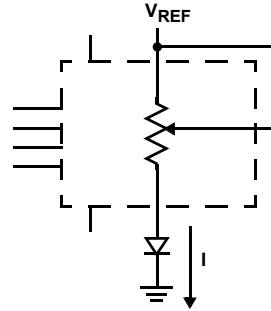


FIGURE 4. TWO TERMINAL VARIABLE RESISTOR; VARIABLE CURRENT

Basic Circuits

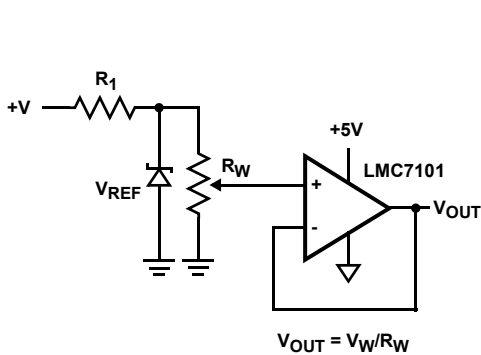


FIGURE 5. BUFFERED REFERENCE VOLTAGE

$$V_{OUT} = V_W/R_W$$

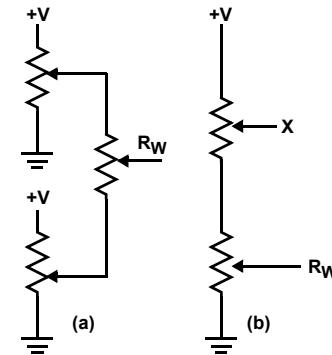


FIGURE 6. CASCADING TECHNIQUES

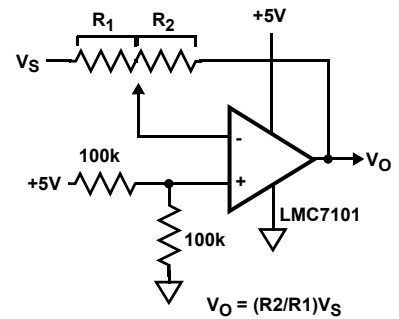
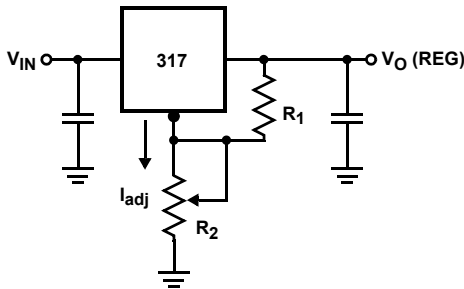


FIGURE 7. SINGLE SUPPLY INVERTING AMPLIFIER

$$V_O = (R_2/R_1)V_S$$



$$V_O (REG) = 1.25V (1+R_2/R_1) + I_{adj} R_2$$

FIGURE 8. VOLTAGE REGULATOR

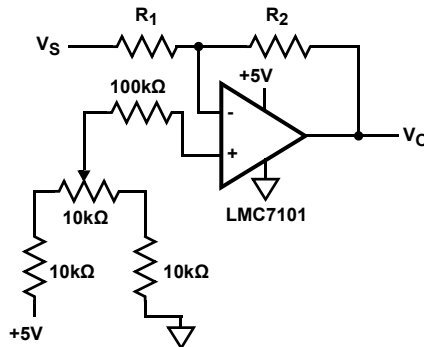
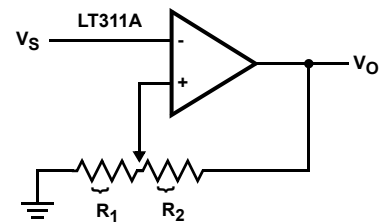


FIGURE 9. OFFSET VOLTAGE ADJUSTMENT



$$V_{UL} = \{R_1/(R_1+R_2)\} V_O(\max)$$

$$V_{LL} = \{R_1/(R_1+R_2)\} V_O(\min)$$

FIGURE 10. COMPARATOR WITH HYSTERESIS

Revision History

The revision history provided is for informational purposes only and is believed to be accurate, but not warranted. Please go to the web to make sure that you have the latest revision.

| DATE | REVISION | CHANGE |
|------------------|----------|---|
| November 4, 2014 | FN8183.9 | Added Revision History Converted to New Template and added new Intersil Standards. Updated Ordering Information to show all U parts in column for Rtotal (k Ω) to show 50 as the value. Added thermal information (Tja and Tjc). |

About Intersil

Intersil Corporation is a leading provider of innovative power management and precision analog solutions. The company's products address some of the largest markets within the industrial and infrastructure, mobile computing and high-end consumer markets.

For the most updated datasheet, application notes, related documentation and related parts, please see the respective product information page found at www.intersil.com.

You may report errors or suggestions for improving this datasheet by visiting www.intersil.com/ask.

Reliability reports are also available from our website at www.intersil.com/support

For additional products, see www.intersil.com/en/products.html

Intersil products are manufactured, assembled and tested utilizing ISO9001 quality systems as noted in the quality certifications found at www.intersil.com/en/support/qualandreliability.html

Intersil products are sold by description only. Intersil Corporation reserves the right to make changes in circuit design, software and/or specifications at any time without notice. Accordingly, the reader is cautioned to verify that data sheets are current before placing orders. Information furnished by Intersil is believed to be accurate and reliable. However, no responsibility is assumed by Intersil or its subsidiaries for its use; nor for any infringements of patents or other rights of third parties which may result from its use. No license is granted by implication or otherwise under any patent or patent rights of Intersil or its subsidiaries.

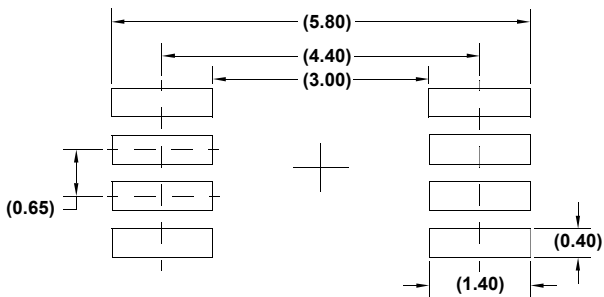
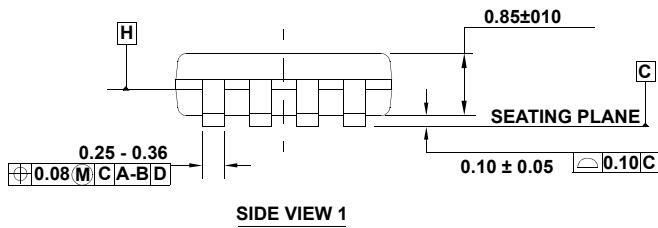
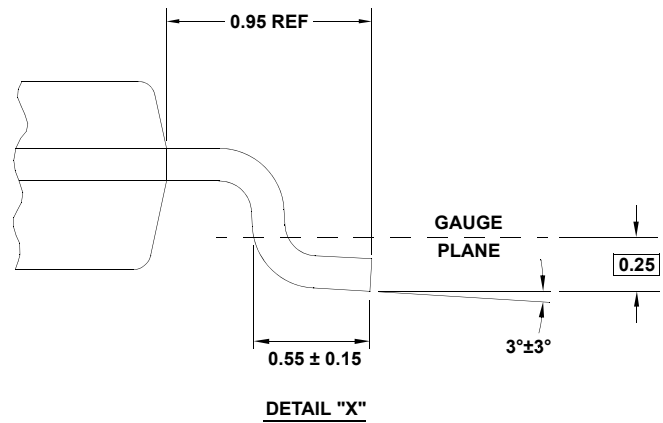
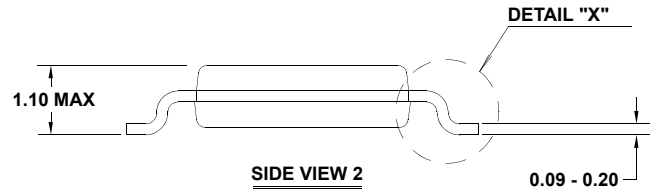
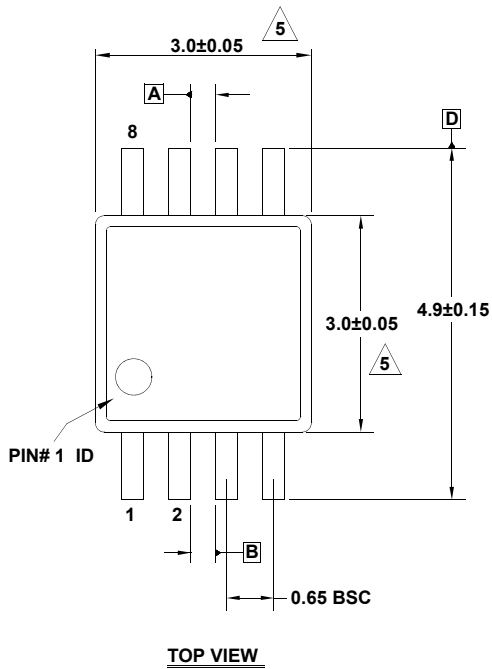
For information regarding Intersil Corporation and its products, see www.intersil.com

Package Outline Drawing

M8.118

8 LEAD MINI SMALL OUTLINE PLASTIC PACKAGE

Rev 4, 7/11



NOTES:

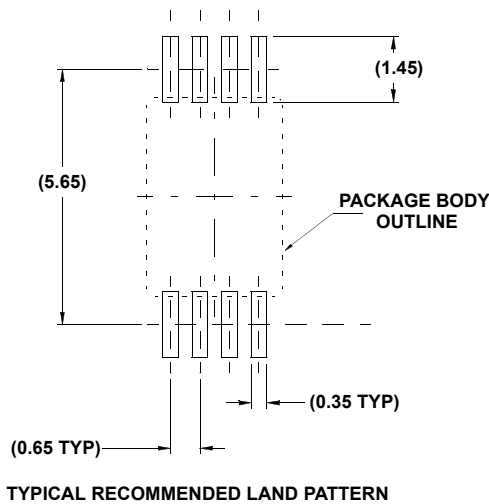
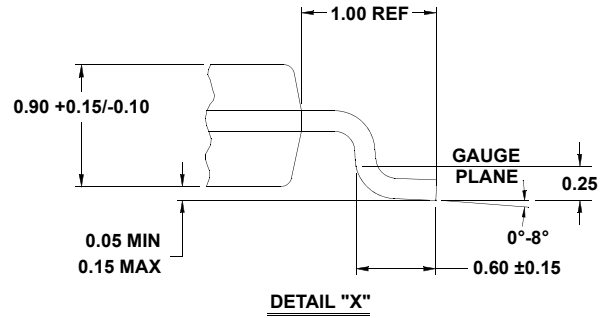
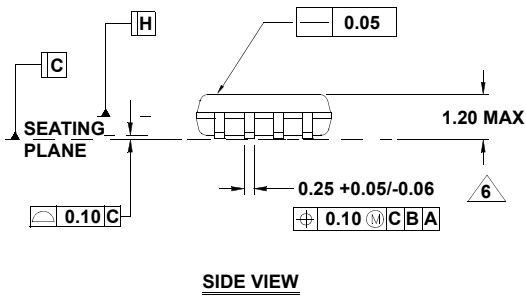
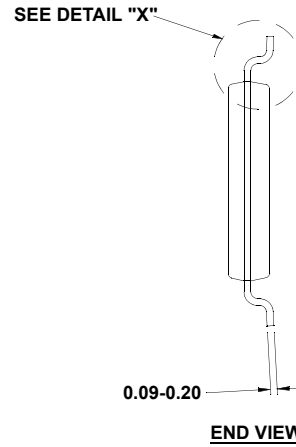
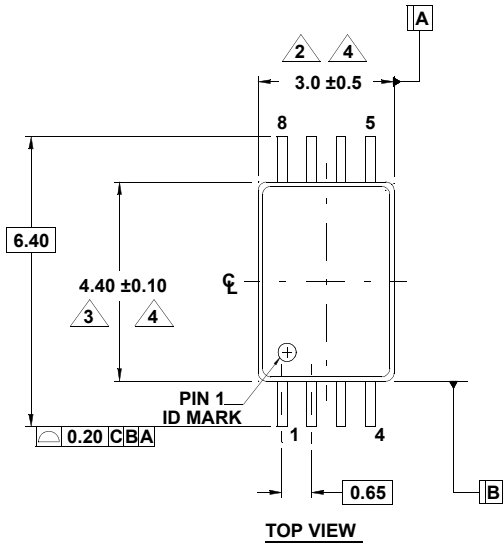
1. Dimensions are in millimeters.
2. Dimensioning and tolerancing conform to JEDEC MO-187-AA and AMSEY14.5m-1994.
3. Plastic or metal protrusions of 0.15mm max per side are not included.
4. Plastic interlead protrusions of 0.15mm max per side are not included.
5. Dimensions are measured at Datum Plane "H".
6. Dimensions in () are for reference only.

Package Outline Drawing

M8.173

8 LEAD THIN SHRINK SMALL OUTLINE PACKAGE (TSSOP)

Rev 2, 01/10



NOTES:

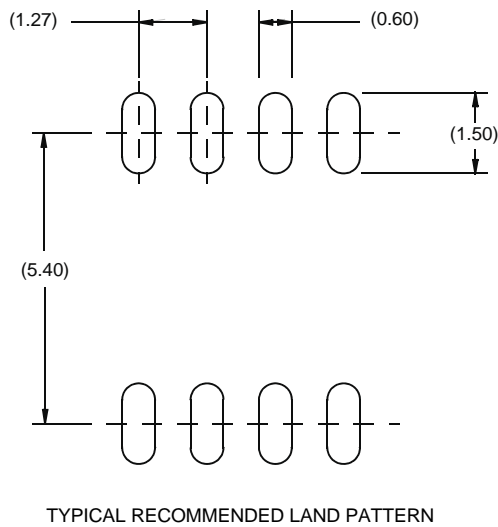
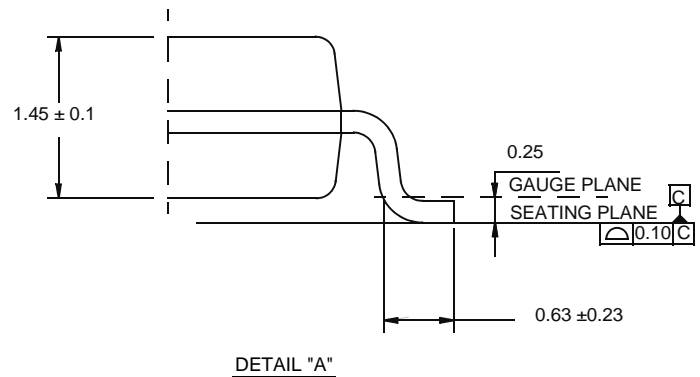
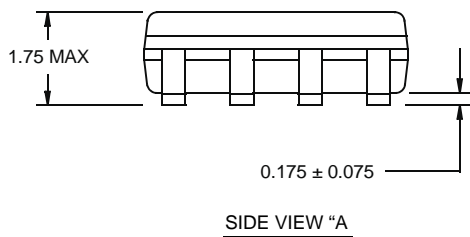
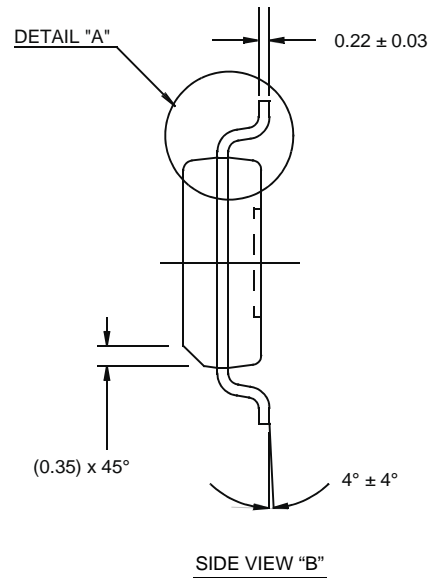
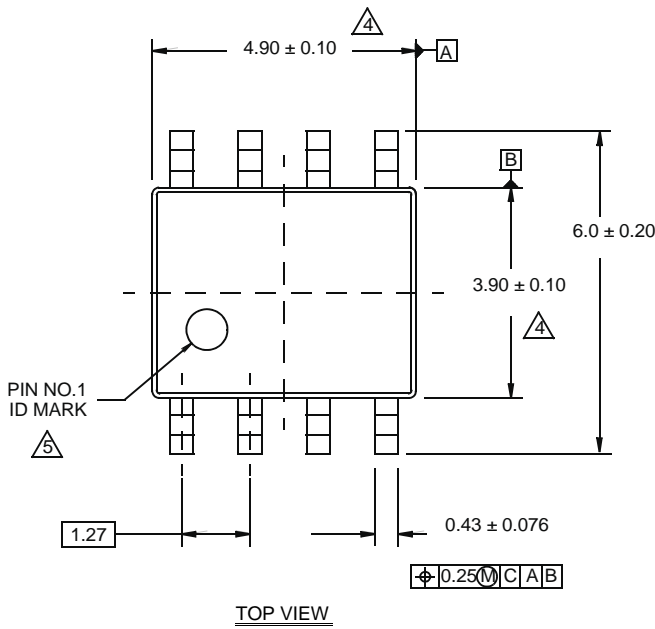
1. Dimensions are in millimeters.
Dimensions in () for Reference Only.
2. Dimension does not include mold flash, protrusions or gate burrs. Mold flash, protrusions or gate burrs shall not exceed 0.15 per side.
3. Dimension does not include interlead flash or protrusion. Interlead flash or protrusion shall not exceed 0.15 per side.
4. Dimensions are measured at datum plane H.
5. Dimensioning and tolerancing per ASME Y14.5M-1994.
6. Dimension on lead width does not include dambar protrusion. Allowable protrusion shall be 0.08 mm total in excess of dimension at maximum material condition. Minimum space between protrusion and adjacent lead is 0.07mm.
7. Conforms to JEDEC MO-153, variation AC. Issue E

Package Outline Drawing

M8.15E

8 LEAD NARROW BODY SMALL OUTLINE PLASTIC PACKAGE

Rev 0, 08/09



NOTES:

1. Dimensions are in millimeters.
Dimensions in () for Reference Only.
2. Dimensioning and tolerancing conform to AMSE Y14.5m-1994.
3. Unless otherwise specified, tolerance : Decimal ± 0.05
4. Dimension does not include interlead flash or protrusions.
Interlead flash or protrusions shall not exceed 0.25mm per side.
5. The pin #1 identifier may be either a mold or mark feature.
6. Reference to JEDEC MS-012.