

阅读申明

- 1.本站收集的数据手册和产品资料都来自互联网，版权归原作者所有。如读者和版权方有任何异议请及时告之，我们将妥善解决。
- 2.本站提供的中文数据手册是英文数据手册的中文翻译，其目的是协助用户阅读，该译文无法自动跟随原稿更新，同时也可能存在翻译上的不当。建议读者以英文原稿为参考以便获得更精准的信息。
- 3.本站提供的产品资料，来自厂商的技术支持或者使用者的心得体会等，其内容可能存在描述上的差异，建议读者做出适当判断。
- 4.如需与我们联系，请发邮件到marketing@iczoom.com，主题请标有“数据手册”字样。

Read Statement

1. The datasheets and other product information on the site are all from network reference or other public materials, and the copyright belongs to the original author and original published source. If readers and copyright owners have any objections, please contact us and we will deal with it in a timely manner.
2. The Chinese datasheets provided on the website is a Chinese translation of the English datasheets. Its purpose is for reader's learning exchange only and do not involve commercial purposes. The translation cannot be automatically updated with the original manuscript, and there may also be improper translations. Readers are advised to use the English manuscript as a reference for more accurate information.
3. All product information provided on the website refer to solutions from manufacturers' technical support or users the contents may have differences in description, and readers are advised to take the original article as the standard.
4. If you have any questions, please contact us at marketing@iczoom.com and mark the subject with "Datasheets" .

Single Supply/Low Power/256-Tap/SPI Bus, Quad Digitally-Controlled (XDCP™) Potentiometer

X9251

The X9251 integrates four digitally controlled potentiometers (XDCP) on a monolithic CMOS integrated circuit.

The digitally controlled potentiometers are implemented with a combination of resistor elements and CMOS switches. The position of the wipers are controlled by the user through the SPI bus interface. Each potentiometer has associated with it a volatile Wiper Counter Register (WCR) and four nonvolatile Data Registers that can be directly written to and read by the user. The content of the WCR controls the position of the wiper. At power-up, the device recalls the content of the default Data Registers of each DCP (DR00, DR10, DR20, and DR30) to the corresponding WCR.

The XDCP can be used as a three terminal potentiometer or as a two terminal variable resistor in a wide variety of applications including control, parameter adjustments, and signal processing.

Features

- Four potentiometers in one package
- 256 resistor taps–0.4% resolution
- SPI serial interface for write, read, and transfer operations of the potentiometer
- Wiper resistance: 100Ω typical at $V_{CC} = 5V$
- 4 Nonvolatile data registers for each potentiometer
- Nonvolatile storage of multiple wiper positions
- Standby current $<5\mu A$ max
- V_{CC} : 2.7V to 5.5V operation
- 50kΩ version of total resistance
- 100 year data retention
- Single supply version of X9250
- Endurance: 100,000 data changes per bit per register
- 24 Ld SOIC, 24 Ld TSSOP
- Low power CMOS
- Pb-free (RoHS compliant)

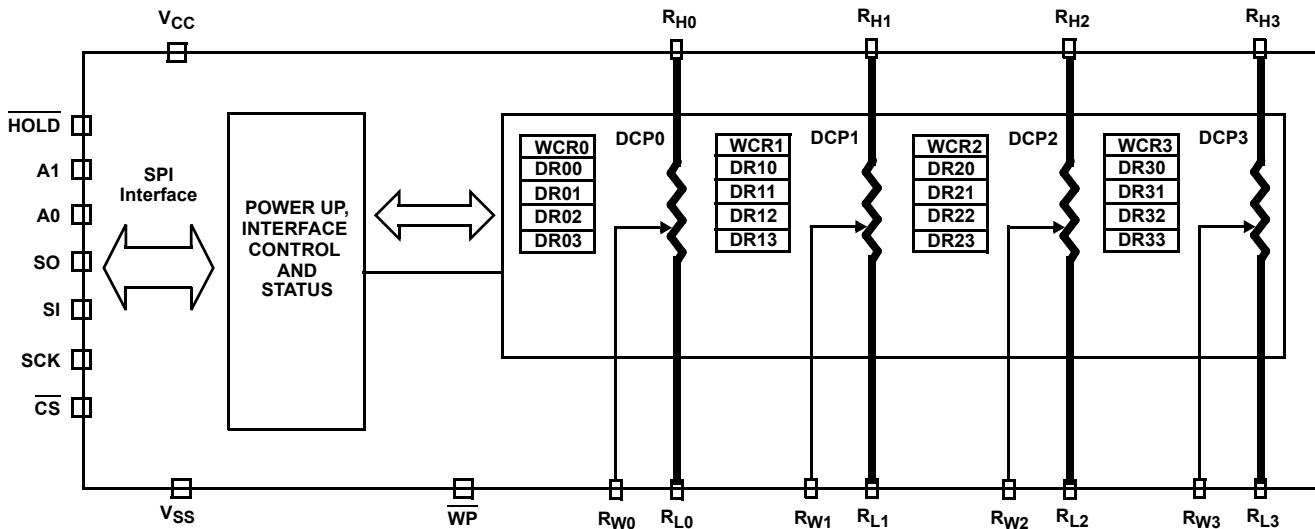


FIGURE 1. FUNCTIONAL DIAGRAM

Circuit Level Applications

- Vary the gain of a voltage amplifier
- Provide programmable DC reference voltages for comparators and detectors
- Control the volume in audio circuits
- Trim out the offset voltage error in a voltage amplifier circuit
- Set the output voltage of a voltage regulator
- Trim the resistance in Wheatstone bridge circuits
- Control the gain, characteristic frequency and Q-factor in filter circuits
- Set the scale factor and zero point in sensor signal conditioning circuits
- Vary the frequency and duty cycle of timer ICs
- Vary the DC biasing of a pin diode attenuator in RF circuits
- Provide a control variable (I, V, or R) in feedback circuits

System Level Applications

- Adjust the contrast in LCD displays
- Control the power level of LED transmitters in communication systems
- Set and regulate the DC biasing point in an RF power amplifier in wireless systems
- Control the gain in audio and home entertainment systems
- Provide the variable DC bias for tuners in RF wireless systems
- Set the operating points in temperature control systems
- Control the operating point for sensors in industrial systems
- Trim offset and gain errors in artificial intelligent systems

X9251

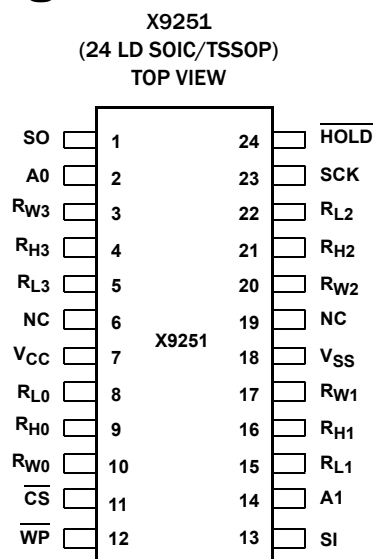
Ordering Information

PART NUMBER (Notes 2, 3)	PART MARKING	V _{CC} LIMITS (V)	POTENTIOMETER ORGANIZATION (kΩ)	TEMP RANGE (°C)	PACKAGE (Pb-Free)	PKG. DWG. #
X9251US24Z (Note 1)	X9251US Z	5 ±10%	50	0 to +70	24 Ld SOIC (300 mil)	M24.3
X9251US24IZ (Note 1)	X9251US ZI			-40 to +85	24 Ld SOIC (300 mil)	M24.3
X9251UV24Z	X9251UV Z			0 to +70	24 Ld TSSOP (4.4mm)	M24.173
X9251UV24IZ	X9251UV ZI			-40 to +85	24 Ld TSSOP (4.4mm)	M24.173
X9251US24IZ-2.7 (Note 1)	X9251US ZG	2.7 to 5.5		-40 to +85	24 Ld SOIC (300 mil)	M24.3
X9251US24Z-2.7 (Note 1)	X9251US ZG			0 to +70	24 Ld SOIC (300 mil)	M24.3
X9251UV24Z-2.7	X9251UV ZF			0 to +70	24 Ld TSSOP (4.4mm)	M24.173
X9251UV24IZ-2.7 (Note 1)	X9251UV ZG			-40 to +85	24 Ld TSSOP (4.4mm)	M24.173

NOTES:

- Add "T1" suffix for tape and reel.
- These Intersil Pb-free plastic packaged products employ special Pb-free material sets, molding compounds/die attach materials, and 100% matte tin plate plus anneal (e3 termination finish, which is RoHS compliant and compatible with both SnPb and Pb-free soldering operations). Intersil Pb-free products are MSL classified at Pb-free peak reflow temperatures that meet or exceed the Pb-free requirements of IPC/JEDEC J STD-020.
- For Moisture Sensitivity Level (MSL), please see product information page for [X9251](#). For more information on MSL, please see tech brief [TB363](#)

Pin Configuration



Pin Descriptions

PIN (SOIC)	SYMBOL	FUNCTION
1	SO	Serial Data Output for SPI bus
2	A0	Device Address for SPI bus (see Note 4)
3	R _{W3}	Wiper Terminal of DCP3
4	R _{H3}	High Terminal of DCP3
5	R _{L3}	Low Terminal of DCP3
7	V _{CC}	System Supply Voltage
8	R _{L0}	Low Terminal of DCP0
9	R _{H0}	High Terminal of DCP0
10	R _{W0}	Wiper Terminal of DCP0
11	\overline{CS}	SPI bus. Chip Select active low input
12	\overline{WP}	Hardware Write Protect - active low
13	SI	Serial Data Input for SPI bus
14	A1	Device Address for SPI bus (see Note 4)
15	R _{L1}	Low Terminal of DCP1
16	R _{H1}	High Terminal of DCP1
17	R _{W1}	Wiper Terminal of DCP1
18	V _{SS}	System Ground
20	R _{W2}	Wiper Terminal of DCP2
21	R _{H2}	High Terminal of DCP2
22	R _{L2}	Low Terminal of DCP2
23	SCK	Serial Clock for SPI bus
24	HOLD	Device select. Pauses the SPI serial bus.
6, 19	NC	No Connect

NOTE:

- A0 and A1 device address pins must be tied to a logic level.

Functional Pin Descriptions

Bus Interface Pins

SERIAL OUTPUT (SO)

SO is a serial data output pin. During a read cycle, data is shifted out on this pin. Data is clocked out by the falling edge of the serial clock.

SERIAL INPUT (SI)

SI is the serial data input pin. All opcodes, byte addresses and data to be written to the device registers are input on this pin. Data is latched by the rising edge of the serial clock.

SERIAL CLOCK (SCK)

The SCK input is used to clock data into and out of the X9251.

HOLD ($\overline{\text{HOLD}}$)

$\overline{\text{HOLD}}$ is used in conjunction with the $\overline{\text{CS}}$ pin to select the device. Once the part is selected and a serial sequence is underway, $\overline{\text{HOLD}}$ may be used to pause the serial communication with the controller without resetting the serial sequence. To pause, $\overline{\text{HOLD}}$ must be brought LOW while SCK is LOW. To resume communication, $\overline{\text{HOLD}}$ is brought HIGH, again while SCK is LOW. If the pause feature is not used, $\overline{\text{HOLD}}$ should be held HIGH at all times.

DEVICE ADDRESS (A1 AND A0)

The address inputs are used to set the two least significant bits of the slave address. A match in the slave address serial data stream must be made with the address input in order to initiate communication with the X9251. Device pins A1 and A0 must be tied to a logic level which specifies the internal address of the device, see [Figures 3, 4, 5, 6 and 7](#).

CHIP SELECT ($\overline{\text{CS}}$)

When $\overline{\text{CS}}$ is HIGH, the X9251 is deselected and the SO pin is at high impedance, and (unless an internal write cycle is underway) the device is in the standby state. $\overline{\text{CS}}$ LOW enables the X9251, placing it in the active power mode. It should be noted that after a power-up, a HIGH to LOW transition on $\overline{\text{CS}}$ is required prior to the start of any operation.

Potentiometer Pins

R_H , R_L

The R_H and R_L pins are equivalent to the terminal connections on a mechanical potentiometer. Since there are 4 potentiometers, there are 4 sets of R_H and R_L such that R_{H0} and R_{L0} are the terminals of DCP0 and so on.

R_W

The wiper pins are equivalent to the wiper terminal of a mechanical potentiometer. Since there are 4 potentiometers, there are 4 sets of R_W such that R_{W0} is the terminals of DCP0 and so on.

Supply Pins

SYSTEM SUPPLY VOLTAGE (V_{CC}) AND SUPPLY GROUND (V_{SS})

The V_{CC} pin is the system supply voltage. The V_{SS} pin is the system ground.

Other Pins

NO CONNECT

No connect pins should be left floating. These pins are used for Intersil manufacturing and testing purposes.

HARDWARE WRITE PROTECT INPUT ($\overline{\text{WP}}$)

The $\overline{\text{WP}}$ pin, when LOW, prevents nonvolatile writes to the Data Registers.

Principles of Operation

The X9251 is an integrated circuit incorporating four DCPs and their associated registers and counters, and a serial interface providing direct communication between a host and the potentiometers.

DCP Description

Each DCP is implemented with a combination of resistor elements and CMOS switches. The physical ends of each DCP are equivalent to the fixed terminals of a mechanical potentiometer (R_H and R_L pins). The R_W pin is an intermediate node, equivalent to the wiper terminal of a mechanical potentiometer.

The position of the wiper terminal within the DCP is controlled by an 8-bit volatile Wiper Counter Register (WCR).

One of Four Potentiometers

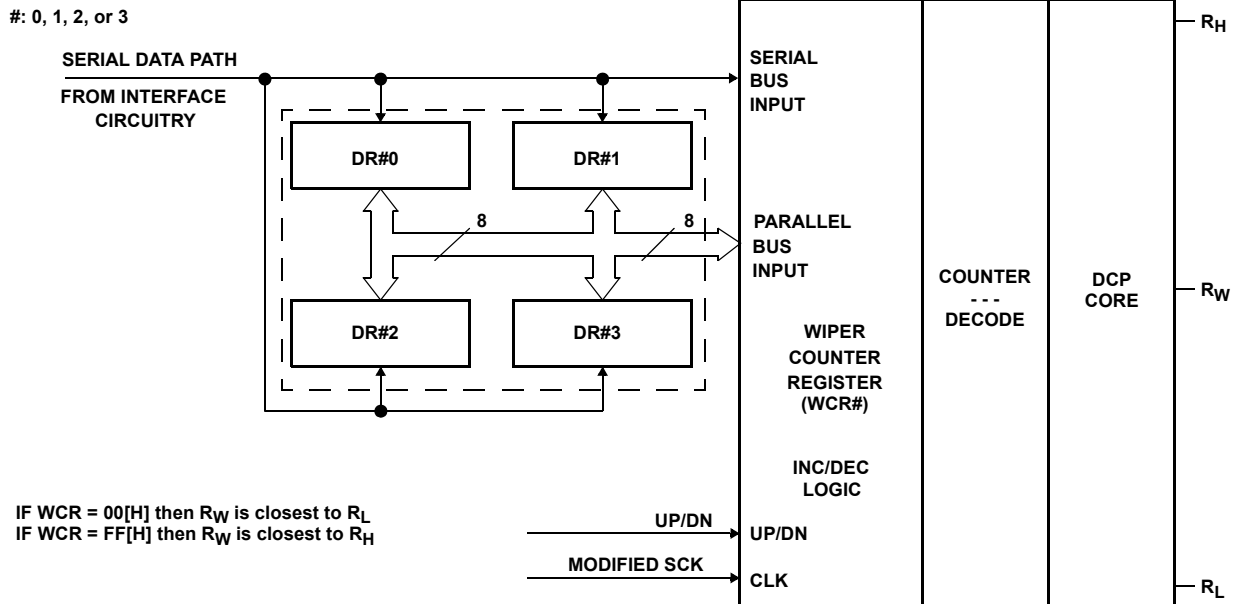


FIGURE 2. DETAILED POTENTIOMETER BLOCK DIAGRAM

Power-Up and Down Recommendations

There are no restrictions on the power-up or power-down conditions of V_{CC} and the voltages applied to the potentiometer pins provided that V_{CC} is always more positive than or equal to V_H , V_L , and V_W (i.e., $V_{CC} \geq V_H, V_L, V_W$). The V_{CC} ramp rate specification is always in effect.

Wiper Counter Register (WCR)

The X9251 contains four Wiper Counter Registers, one for each potentiometer. The Wiper Counter Register can be envisioned as a 8-bit parallel and serial load counter with its outputs decoded to select one of 256 wiper positions along its resistor array. The contents of the WCR can be altered in four ways: it may be written directly by the host via the Write Wiper Counter Register instruction (serial load); it may be written indirectly by transferring the contents of one of four associated data registers via the XFR Data Register instruction (parallel load); it can be modified one step at a time by the Increment/Decrement instruction (see ["Instruction Format" on page 10](#) for more details). Finally, it is loaded with the contents of its Data Register zero (DR#0) upon power-up (see [Figure 2](#)).

The wiper counter register is a volatile register; that is, its contents are lost when the X9251 is powered down. Although the register is automatically loaded with the value in DR#0 upon power-up, this may be different from the value present at

power-down. Power-up guidelines are recommended to ensure proper loadings of the DR#0 value into the WCR#.

Data Registers (DR)

Each of the four DCPs has four 8-bit nonvolatile Data Registers. These can be read or written directly by the host. Data can also be transferred between any of the four Data Registers and the associated Wiper Counter Register. All operations changing data in one of the Data Registers is a nonvolatile operation and takes a maximum of 10ms.

If the application does not require storage of multiple settings for the potentiometer, the Data Registers can be used as regular memory locations for system parameters or user preference data.

Bits [7:0] are used to store one of the 256 wiper positions or data (0 ~ 255).

Status Register (SR)

This 1-bit Status Register is used to store the system status.

WIP: Write In Progress status bit, read only.

- WIP = 1, indicates that high-voltage write cycle is in progress.
- WIP = 0, indicates that no high-voltage write cycle is in progress.

TABLE 1. WIPER COUNTER REGISTER, WCR (8-BIT), WCR[7:0]: USED TO STORE THE CURRENT WIPER POSITION (VOLATILE)

WCR7	WCR6	WCR5	WCR4	WCR3	WCR2	WCR1	WCR0
(MSB)							(LSB)

TABLE 2. DATA REGISTER, DR (8-BIT), DR[7:0]: USED TO STORE WIPER POSITIONS OR DATA (NONVOLATILE)

BIT 7	BIT 6	BIT 5	BIT 4	BIT 3	BIT 2	BIT 1	BIT 0
(MSB)							(LSB)

Serial Interface

The X9251 supports the SPI interface hardware conventions. The device is accessed via the SI input with data clocked in, on the rising SCK. \overline{CS} must be LOW and the HOLD and WP pins must be HIGH during the entire operation.

The SO and SI pins can be connected together, since they have three-state outputs. This can help to reduce system pin count.

Identification Byte

The first byte sent to the X9251 from the host, following a \overline{CS} going HIGH to LOW, is called the Identification Byte. The most significant four bits of the Identification Byte are a Device Type Identifier, ID[3:0]. For the X9251, this is fixed as 0101 (refer to [Table 3](#)).

The least significant four bits of the Identification Byte are the Slave Address bits, AD[3:0]. For the X9251, A3 is 0, A2 is 0, A1 is the logic value at the input pin A1, and A0 is the logic value at the input pin A0. Only the device which Slave Address matches the incoming bits sent by the master executes the instruction. The A1 and A0 inputs can be actively driven by CMOS input signals or tied to V_{CC} or V_{SS} .

Instruction Byte

The next byte sent to the X9251 contains the instruction and register pointer information. The four most significant bits are used to provide the instruction opcode (I[3:0]). The RB and RA bits point to one of the four Data Registers of each associated XDCP. The least two significant bits point to one of four Wiper Counter Registers or DCPs. The format is shown below in [Table 4](#).

TABLE 3. IDENTIFICATION BYTE FORMAT

DEVICE TYPE IDENTIFIER				SLAVE ADDRESS			
ID3	ID2	ID1	ID0	A3	A2	A1	A0
0	1	0	1	0	0	Pin A1 Logic Value	Pin A0 Logic Value
(MSB)							(LSB)

TABLE 4. INSTRUCTION BYTE FORMAT

INSTRUCTION OPCODE				REGISTER SELECTION		DCP SELECTION (WCR SELECTION)	
I3	I2	I1	I0	RB	RA	P1	P0
(MSB)							(LSB)

Data Register Selection

REGISTER	RB	RA
DR#0	0	0
DR#1	0	1
DR#2	1	0
DR#3	1	1

#: 0, 1, 2, or 3

TABLE 5. INSTRUCTION SET

INSTRUCTION	INSTRUCTION SET								OPERATION
	I3	I2	I1	I0	RB	RA	P1	P0	
Read Wiper Counter Register	1	0	0	1	0	0	1/0	1/0	Read the contents of the Wiper Counter Register pointed to by P1, P0
Write Wiper Counter Register	1	0	1	0	0	0	1/0	1/0	Write new value to the Wiper Counter Register pointed to by P1, P0
Read Data Register	1	0	1	1	1/0	1/0	1/0	1/0	Read the contents of the Data Register pointed to by P1, P0 and RB, RA
Write Data Register	1	1	0	0	1/0	1/0	1/0	1/0	Write new value to the Data Register pointed to by P1, P0 and RB, RA
XFR Data Register to Wiper Counter Register	1	1	0	1	1/0	1/0	1/0	1/0	Transfer the contents of the Data Register pointed to by P1, P0 and RB, RA to its associated Wiper Counter Register

TABLE 5. INSTRUCTION SET (Continued)

INSTRUCTION	INSTRUCTION SET								OPERATION
	I3	I2	I1	I0	RB	RA	P1	P0	
XFR Wiper Counter Register to Data Register	1	1	1	0	1/0	1/0	1/0	1/0	Transfer the contents of the Wiper Counter Register pointed to by P1, P0 to the Data Register pointed to by RB, RA
Global XFR Data Registers to Wiper Counter Registers	0	0	0	1	1/0	1/0	0	0	Transfer the contents of the Data Registers pointed to by RB, RA of all four pots to their respective Wiper Counter Registers
Global XFR Wiper Counter Registers to Data Register	1	0	0	0	1/0	1/0	0	0	Transfer the contents of both Wiper Counter Registers to their respective data Registers pointed to by RB, RA of all four pots
Increment/Decrement Wiper Counter Register	0	0	1	0	0	0	1/0	1/0	Enable Increment/decrement of the Control Latch pointed to by P1, P0

NOTE: 1/0 = data is one or zero

Instructions

Four of the nine instructions are three bytes in length. These instructions are:

- **Read Wiper Counter Register** – read the current wiper position of the selected potentiometer
- **Write Wiper Counter Register** – change current wiper position of the selected potentiometer
- **Read Data Register** – read the contents of the selected Data Register
- **Write Data Register** – write a new value to the selected Data Register
- **Read Status** – this command returns the contents of the WIP bit which indicates if the internal write cycle is in progress

The basic sequence of the three-byte instructions is illustrated in [Figure 4](#). These three-byte instructions exchange data between the WCR and one of the Data Registers. A transfer from a Data Register to a WCR is essentially a write to a static RAM, with the static RAM controlling the wiper position. The response of the wiper to this action is delayed by t_{WRL} . A transfer from the WCR (current wiper position), to a Data Register is a write to nonvolatile memory and takes a minimum of t_{WR} to complete. The transfer can occur between one of the four potentiometer's WCR, and one of its associated registers, DRs; or it may occur globally, where the transfer occurs between all potentiometers and one associated register. The Read Status Register instruction is the only unique format (see [Figure 6](#)).

Four instructions require a two-byte sequence to complete. These instructions transfer data between the host and the X9251; either between the host and one of the data registers or directly

between the host and the Wiper Counter Register. These instructions are:

- **XFR Data Register to Wiper Counter Register** – This transfers the contents of one specified Data Register to the associated Wiper Counter Register.
- **XFR Wiper Counter Register to Data Register** – This transfers the contents of the specified Wiper Counter Register to the specified associated Data Register.
- **Global XFR Data Register to Wiper Counter Register** – This transfers the contents of all specified Data Registers to the associated Wiper Counter Registers.
- **Global XFR Wiper Counter Register to Data Register** – This transfers the contents of all Wiper Counter Registers to the specified associated Data Registers.

Increment/Decrement Command

The final command is Increment/Decrement (see [Figures 7](#) and [8](#)). The Increment/Decrement command is different from the other commands. Once the command is issued and the X9251 has responded with an Acknowledge, the master can clock the selected wiper up and/or down in one segment steps, thereby providing a fine tuning capability to the host. For each SCK clock pulse (t_{HIGH}) while SI is HIGH, the selected wiper moves one wiper position towards the R_H terminal. Similarly, for each SCK clock pulse while SI is LOW, the selected wiper moves one wiper position towards the R_L terminal. A detailed illustration of the sequence and timing for this operation are shown. See [“Instruction Format” on page 10](#) for more details.

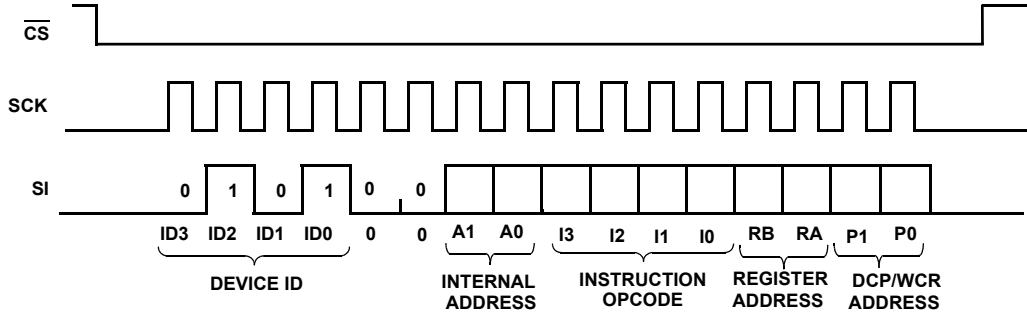


FIGURE 3. TWO-BYTE INSTRUCTION SEQUENCE

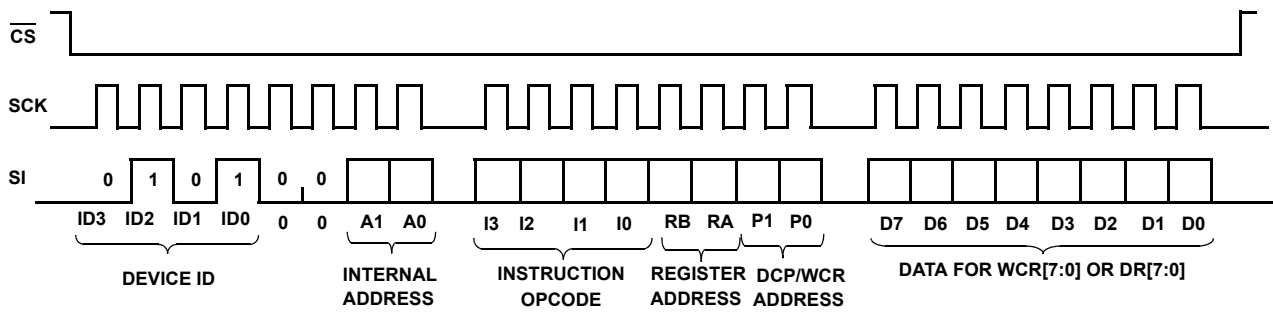


FIGURE 4. THREE-BYTE INSTRUCTION SEQUENCE SPI INTERFACE; WRITE CASE

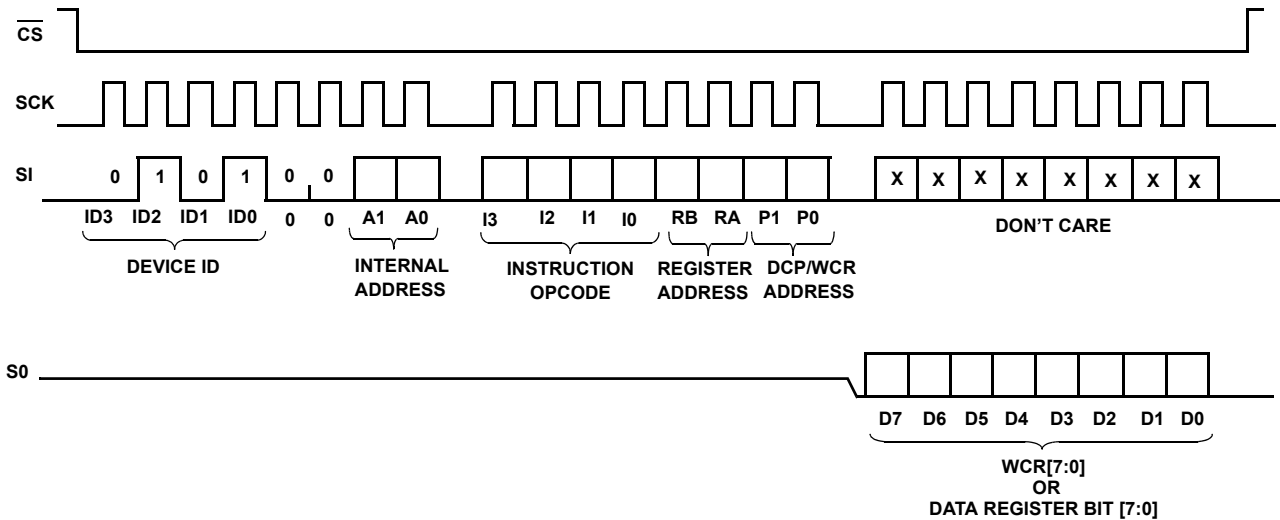


FIGURE 5. THREE-BYTE INSTRUCTION SEQUENCE SPI INTERFACE, READ CASE

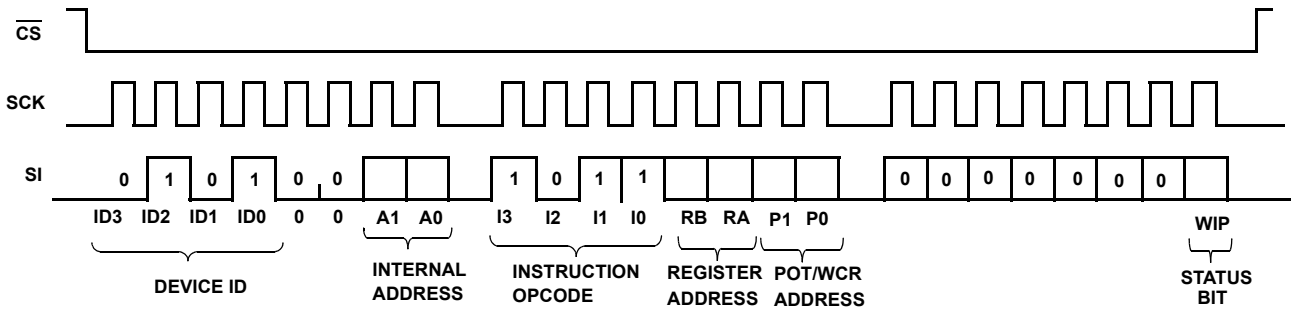


FIGURE 6. THREE-BYTE INSTRUCTION SEQUENCE (READ STATUS REGISTER)

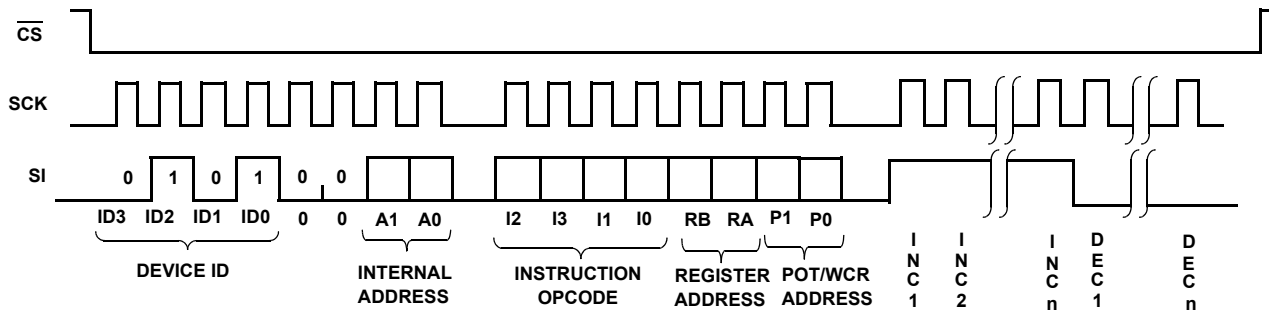


FIGURE 7. INCREMENT/DECREMENT INSTRUCTION SEQUENCE

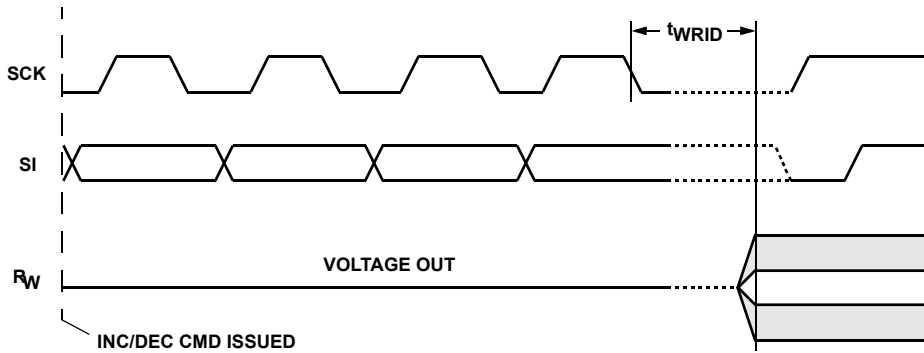


FIGURE 8. INCREMENT/DECREMENT TIMING SPEC

Instruction Format

Read Wiper Counter Register (WCR)

$\overline{\text{CS}}$ FALLING EDGE	DEVICE TYPE IDENTIFIER				DEVICE ADDRESSES				INSTRUCTION OPCODE				WCR ADDRESSES				WIPER POSITION (SENT BY X9251 ON S0)								$\overline{\text{CS}}$ RISING EDGE								
	0	1	0	1	0	0	A1	A0	1	0	0	1	0	0	0	0	W	W	W	W	W	W	W	W		W	W	W	W				
																	7	6	5	4	3	2	1	0									

Write Wiper Counter Register (WCR)

$\overline{\text{CS}}$ FALLING EDGE	DEVICE TYPE IDENTIFIER				DEVICE ADDRESSES				INSTRUCTION OPCODE				WCR ADDRESSES				DATA BYTE (SENT BY HOST ON SI)								$\overline{\text{CS}}$ RISING EDGE								
	0	1	0	1	0	0	A1	A0	1	0	1	0	0	0	0	0	W	W	W	W	W	W	W	W		W	W	W	W				
																	7	6	5	4	3	2	1	0									

Read Data Register (DR)

$\overline{\text{CS}}$ FALLING EDGE	DEVICE TYPE IDENTIFIER				DEVICE ADDRESSES				INSTRUCTION OPCODE				DR AND WCR ADDRESSES				DATA BYTE (SENT BY X9271 ON S0)								$\overline{\text{CS}}$ RISING EDGE								
	0	1	0	1	0	0	A1	A0	1	0	1	1	RB	RA	P1	P0	D	D	D	D	D	D	D	D		D	D	D	D				
																	7	6	5	4	3	2	1	0									

Write Data Register (DR)

$\overline{\text{CS}}$ FALLING EDGE	DEVICE TYPE IDENTIFIER				DEVICE ADDRESSES				INSTRUCTION OPCODE				DR AND WCR ADDRESSES				DATA BYTE (SENT BY HOST ON SI)								$\overline{\text{CS}}$ RISING EDGE	HIGH-VOLTAGE WRITE CYCLE								
	0	1	0	1	0	0	A1	A0	1	1	0	0	RB	RA	P1	P0	D	D	D	D	D	D	D	D			D	D	D	D				
																	7	6	5	4	3	2	1	0										

Global Transfer Data Register (DR) to Wiper Counter Register (WCR)

$\overline{\text{CS}}$ FALLING EDGE	DEVICE TYPE IDENTIFIER				DEVICE ADDRESSES				INSTRUCTION OPCODE				DR ADDRESSES				$\overline{\text{CS}}$ RISING EDGE
	0	1	0	1	0	0	A1	A0	0	0	0	1	RB	RA	0	0	

Global Transfer Wiper Counter Register (WCR) to Data Register (DR)

$\overline{\text{CS}}$ FALLING EDGE	DEVICE TYPE IDENTIFIER				DEVICE ADDRESSES				INSTRUCTION OPCODE				DR ADDRESSES				$\overline{\text{CS}}$ RISING EDGE	HIGH-VOLTAGE WRITE CYCLE
	0	1	0	1	0	0	A1	A0	1	0	0	0	RB	RA	0	0		

Transfer Wiper Counter Register (WCR) to Data Register (DR)

$\overline{\text{CS}}$ FALLING EDGE	DEVICE TYPE IDENTIFIER				DEVICE ADDRESSES				INSTRUCTION OPCODE				DR AND WCR ADDRESSES				$\overline{\text{CS}}$ RISING EDGE	HIGH-VOLTAGE WRITE CYCLE
	0	1	0	1	0	0	A1	A0	1	1	1	0	RB	RA	0	0		

X9251

Transfer Data Register (DR) to Wiper Counter Register (WCR)

CS FALLING EDGE	DEVICE TYPE IDENTIFIER				DEVICE ADDRESSES				INSTRUCTION OPCODE				DR AND WCR ADDRESSES				CS RISING EDGE
	0	1	0	1	0	0	A1	A0	1	1	0	1	RB	RA	0	0	

Increment/Decrement Wiper Counter Register (WCR)

CS FALLING EDGE	DEVICE TYPE IDENTIFIER				DEVICE ADDRESSES				INSTRUCTION OPCODE				WCR ADDRESSES				INCREMENT/DECREMENT (SENT BY MASTER ON SI)				CS RISING EDGE		
	0	1	0	1	0	0	A1	A0	0	0	1	0	X	X	0	0	I/D	I/D

Read Status Register (SR)

CS FALLING EDGE	DEVICE TYPE IDENTIFIER				DEVICE ADDRESSES				INSTRUCTION OPCODE				WCR ADDRESSES				DATA BYTE (SENT BY X9251 ON SO)				CS RISING EDGE			
	0	1	0	1	0	0	A1	A0	0	1	0	1	0	0	0	1	0	0	0	0		0	0	0

NOTES:

5. "A1 ~ A0": stands for the device addresses sent by the master.
6. WPx refers to wiper position data in the Counter Register
7. "I": stands for the increment operation, SI held HIGH during active SCK phase (high).
8. "D": stands for the decrement operation, SI held LOW during active SCK phase (high).

X9251

Absolute Maximum Ratings

Temperature Under Bias	-65°C to +135°C
Storage Temperature	-65°C to +150°C
Voltage on SCK, CS, SI, SO, WP, HOLD, V _{CC} with respect to V _{SS}	-1V to +7V
$\Delta V = (V_H - V_L) $	5.5V
Lead Temperature (Soldering, 10s)	+300°C
I _W (10s)	±6mA
Wiper Current	±3mA
Power Rating (each pot)	50mW

Recommended Operating Conditions

Commercial Temperature Range	0°C to +70°C
Industrial Temperature Range	-40°C to +85°C
Supply Voltage (V _{CC}) Limits (Note 12)	
X9251	5V ±10%
X9251-2.7	2.7V to 5.5V
Pb-Free Reflow Profile	see TB493

CAUTION: Do not operate at or near the maximum ratings listed for extended periods of time. Exposure to such conditions may adversely impact product reliability and result in failures not covered by warranty.

Analog Characteristics

Over the recommended operating conditions unless otherwise specified.

SYMBOL	PARAMETER	TEST CONDITIONS	MIN	TYP	MAX	UNITS
R _{TOTAL}	End to End Resistance	U version		50		kΩ
	End to End Resistance Tolerance				±20	%
R _W	Wiper Resistance	$I_W = \frac{V(V_{CC})}{R_{TOTAL}}$ at V _{CC} = 3V			300	Ω
		$I_W = \frac{V(V_{CC})}{R_{TOTAL}}$ at V _{CC} = 5V			220	Ω
V _{TERM}	Voltage on any R _H or R _L Pin	V _{SS} = 0V	V _{SS}		V _{CC}	V
	Noise (Note 14)	Ref: 1V		-120		dBV/√Hz
	Resolution			0.4		%
	Absolute Linearity (Note 9)	R _{W(n)(actual)} - R _{W(n)(expected)} (Note 13)	-1		+1	MI (Note 11)
	Relative Linearity (Note 10)	R _{W(n+1)} - [R _{W(n)} + MI] (Note 13)	-0.6		+0.6	MI (Note 11)
	Temperature Coefficient of R _{TOTAL}	(Note 14)		±300		ppm/°C
	Ratiometric Temp. Coefficient	(Note 14)		±20		ppm/°C
C _H /C _L /C _W	Potentiometer Capacitances	See macromodel on page 13 , (Note 14)		10/10/25		pF

DC Operating Characteristics

Over the recommended operating conditions unless otherwise specified.

SYMBOL	PARAMETER	TEST CONDITIONS	MIN	TYP	MAX	UNITS
I _{CC1}	V _{CC} Supply Current (Active)	f _{SCK} = 2.5MHz, SO = Open, V _{CC} = 6V Other Inputs = V _{SS}			400	μA
I _{CC2}	V _{CC} Supply Current (Nonvolatile Write)	f _{SCK} = 2.5MHz, SO = Open, V _{CC} = 6V Other Inputs = V _{SS}		1	5	mA
I _{SB}	V _{CC} Current (Standby)	SCK = SI = V _{SS} , Addr. = V _{SS} , CS = V _{CC} = 6V			3	μA
I _{LI}	Input Leakage Current	V _{IN} = V _{SS} to V _{CC}			10	μA
I _{LO}	Output Leakage Current	V _{OUT} = V _{SS} to V _{CC}			10	μA
V _{IH}	Input HIGH Voltage		V _{CC} × 0.7			V
V _{IL}	Input LOW Voltage				V _{CC} × 0.3	V
V _{OL}	Output LOW Voltage	I _{OL} = 3mA			0.4	V
V _{OH}	Output HIGH Voltage	I _{OH} = -1mA, V _{CC} ≥ +3V	V _{CC} - 0.8			V
V _{OH}	Output HIGH Voltage	I _{OH} = -0.4mA, V _{CC} ≤ +3V	V _{CC} - 0.4			V

X9251

Endurance and Data Retention

PARAMETER	MIN	UNITS
Minimum endurance	100,000	Data changes per bit per register
Data retention	100	years

Capacitance

SYMBOL	TEST	TEST CONDITIONS	TYP	UNITS
$C_{IN/OUT}$ (Note 14)	Input/Output capacitance (SI)	$V_{OUT} = 0V$	8	pF
C_{OUT} (Note 14)	Output capacitance (SO)	$V_{OUT} = 0V$	8	pF
C_{IN} (Note 14)	Input capacitance (A0, A1, \overline{CS} , WP, HOLD, and SCK)	$V_{IN} = 0V$	6	pF

Power-Up Timing

SYMBOL	PARAMETER	MIN	MAX	UNITS
$t_r V_{CC}$ (Note 14)	V_{CC} Power-up Rate	0.2		V/ms
t_{PUR} (Note 15)	Power-up to Initiation of Read Operation		1	ms
t_{PUW} (Note 15)	Power-up to Initiation of Write Operation		50	ms

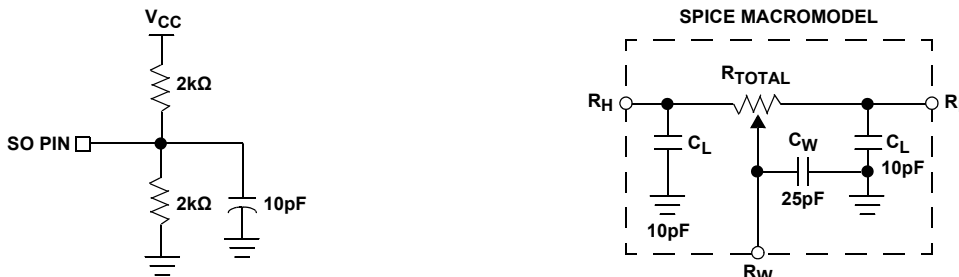
AC Test Conditions

Input Pulse Levels	$V_{CC} \times 0.1$ to $V_{CC} \times 0.9$
Input Rise and Fall Times	10ns
Input and Output Timing Level	$V_{CC} \times 0.5$

NOTES:

- Absolute linearity is utilized to determine actual wiper voltage versus expected voltage as determined by wiper position when used as a potentiometer.
- Relative linearity is utilized to determine the actual change in voltage between two successive tap positions when used as a potentiometer. It is a measure of the error in step size.
- $MI = RTOT/255$ or $(R_H - R_L)/255$, single pot.
- During power up $V_{CC} > V_H, V_L$, and V_W .
- $n = 0, 1, 2, \dots, 255$; $m = 0, 1, 2, \dots, 254$.
- This parameter is not 100% tested
- t_{PUR} and t_{PUW} are the delays required from the time the (last) power supply (V_{CC}) is stable until the specific instruction can be issued. These parameters are periodically sampled and not 100% tested.

Equivalent AC Load Circuit



X9251

AC TIMING

SYMBOL	PARAMETER	MIN	MAX	UNITS
f _{SCK}	SPI clock frequency		2	MHz
t _{CYC}	SPI Clock Cycle Time	500		ns
t _{WH}	SPI Clock High Time	200		ns
t _{WL}	SPI Clock Low Time	200		ns
t _{LEAD}	Lead Time	250		ns
t _{LAG}	Lag Time	250		ns
t _{SU}	SI, SCK, $\overline{\text{HOLD}}$ and $\overline{\text{CS}}$ Input Setup Time	50		ns
t _H	SI, SCK, $\overline{\text{HOLD}}$ and $\overline{\text{CS}}$ Input Hold Time	50		ns
t _{RI}	SI, SCK, $\overline{\text{HOLD}}$ and $\overline{\text{CS}}$ Input Rise Time		2	μs
t _{FI}	SI, SCK, $\overline{\text{HOLD}}$ and $\overline{\text{CS}}$ Input Fall Time		2	μs
t _{DIS}	SO Output Disable Time	0	250	ns
t _V	SO Output Valid Time		200	ns
t _{HO}	SO Output Hold Time	0		ns
t _{RO} (Note 14)	SO Output Rise Time		100	ns
t _{FO} (Note 14)	SO Output Fall Time		100	ns
t _{HOLD}	$\overline{\text{HOLD}}$ Time	400		ns
t _{HSU}	$\overline{\text{HOLD}}$ Setup Time	100		ns
t _{HH}	$\overline{\text{HOLD}}$ Hold Time	100		ns
t _{HZ}	$\overline{\text{HOLD}}$ Low to Output in High Z		100	ns
t _{LZ}	$\overline{\text{HOLD}}$ High to Output in Low Z		100	ns
T _I	Noise Suppression Time Constant at SI, SCK, $\overline{\text{HOLD}}$ and $\overline{\text{CS}}$ Inputs		10	ns
t _{CS}	$\overline{\text{CS}}$ Deselect Time	2		μs
t _{WPASU}	$\overline{\text{WP}}$, AO Setup Time	0		ns
t _{WPAH}	$\overline{\text{WP}}$, AO Hold Time	0		ns

High-Voltage Write Cycle Timing

SYMBOL	PARAMETER	TYP	MAX	UNITS
t _{WR}	High-voltage write cycle time (store instructions)	5	10	ms

XDCP Timing

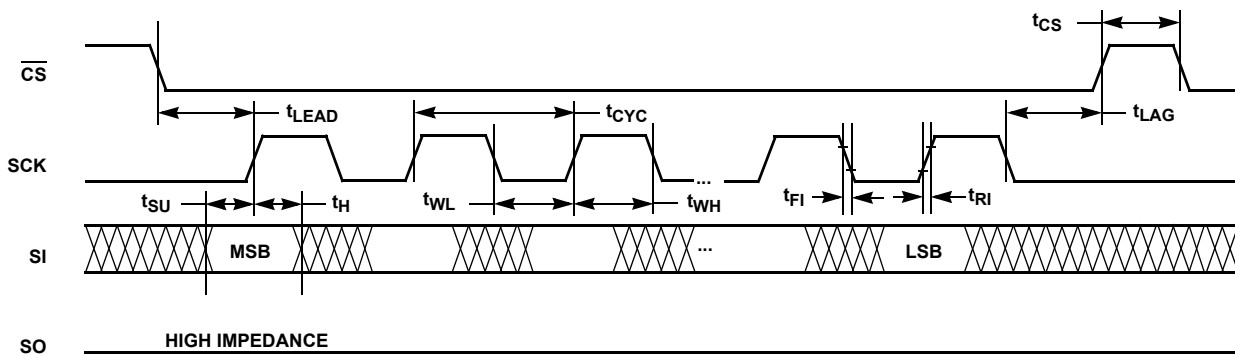
SYMBOL	PARAMETER	MIN	MAX	UNITS
t _{WRPO} (Note 14)	Wiper response time after the third (last) power supply is stable	5	10	μs
t _{WRL} (Note 14)	Wiper response time after instruction issued (all load instructions)	5	10	μs

Symbol Table

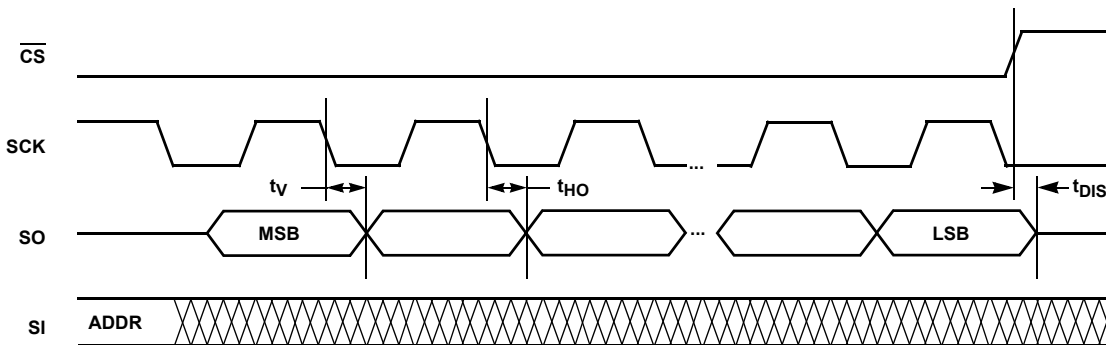
WAVEFORM	INPUTS	OUTPUTS
	Must be steady	Will be steady
	May change from Low to High	Will change from Low to High
	May change from High to Low	Will change from High to Low
	Don't Care: Changes Allowed	Changing: State Not Known
	N/A	Center Line is High Impedance

Timing Diagrams

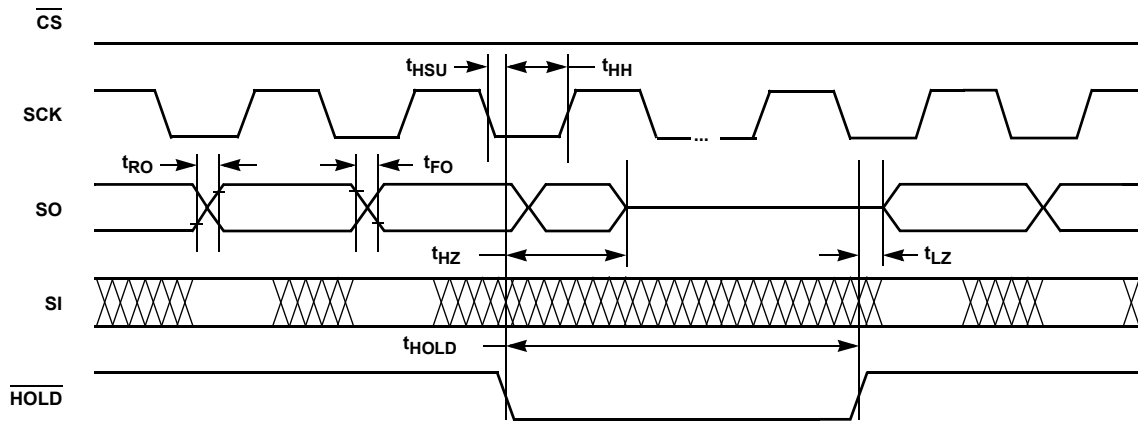
Input Timing



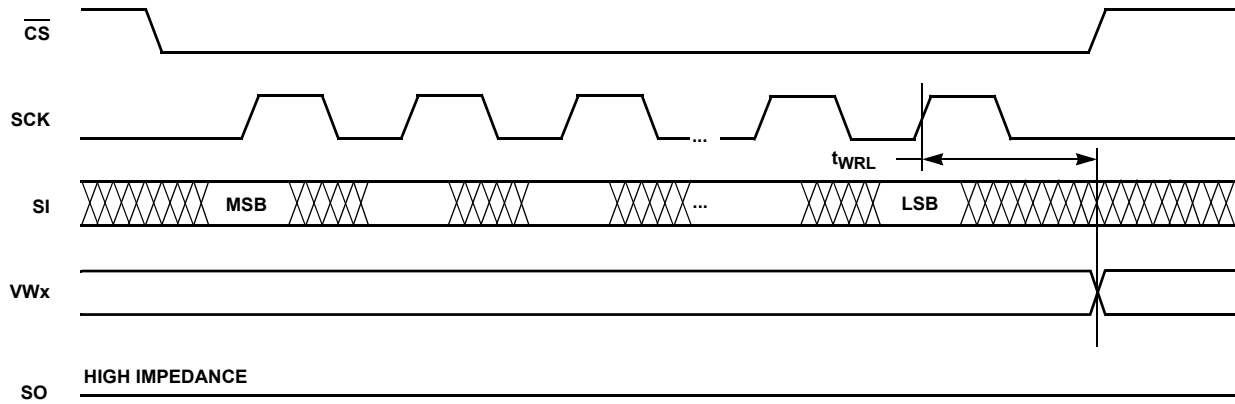
Output Timing



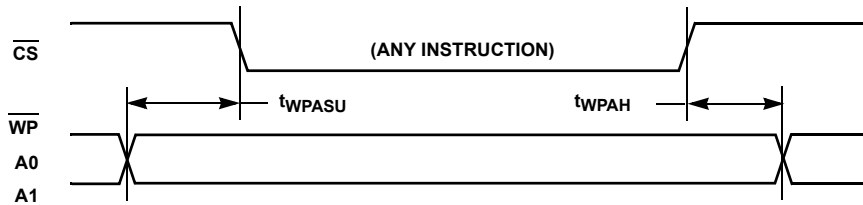
Hold Timing



XDCP Timing (for All Load Instructions)

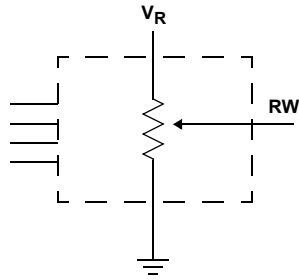


Write Protect and Device Address Pins Timing

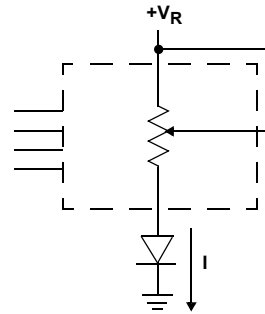


Applications information

Basic Configurations of Electronic Potentiometers



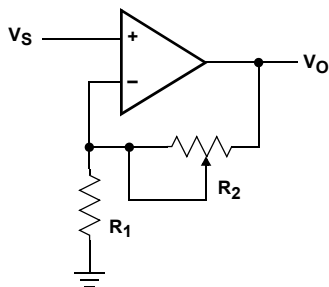
Three terminal Potentiometer;
Variable voltage divider



Two terminal Variable Resistor;
Variable current

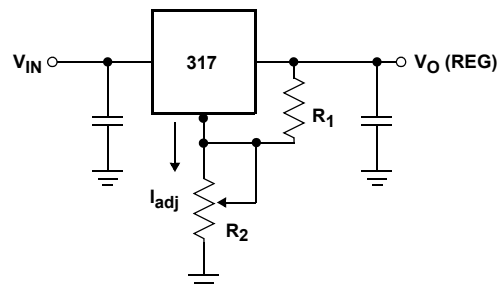
Application Circuits

NON INVERTING AMPLIFIER



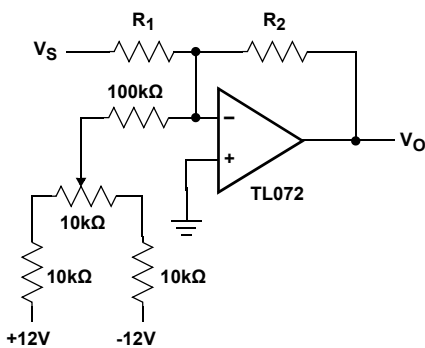
$$V_O = (1 + R_2/R_1)V_S$$

VOLTAGE REGULATOR

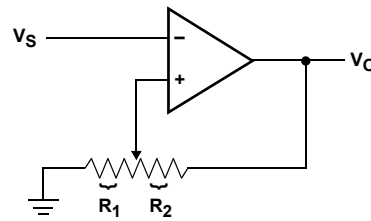


$$V_O (\text{REG}) = 1.25V (1 + R_2/R_1) + I_{\text{adj}} R_2$$

OFFSET VOLTAGE ADJUSTMENT



COMPARATOR WITH HYSTERESIS

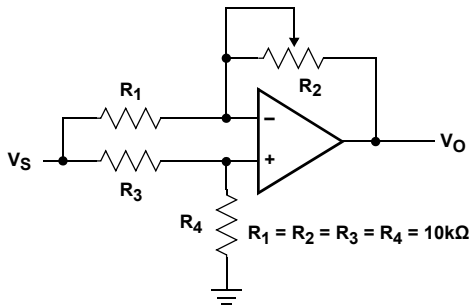


$$V_{UL} = \{R_1/(R_1 + R_2)\} V_O(\text{max})$$

$$V_{LL} = \{R_1/(R_1 + R_2)\} V_O(\text{min})$$

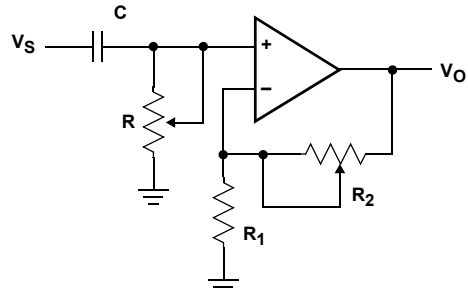
Application Circuits (continued)

ATTENUATOR



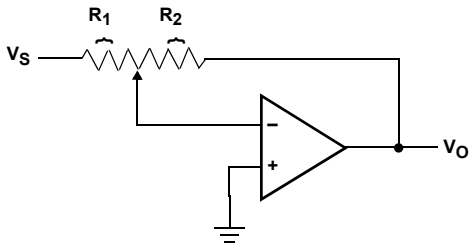
$V_O = G V_S$
 $-1/2 \leq G \leq +1/2$

FILTER



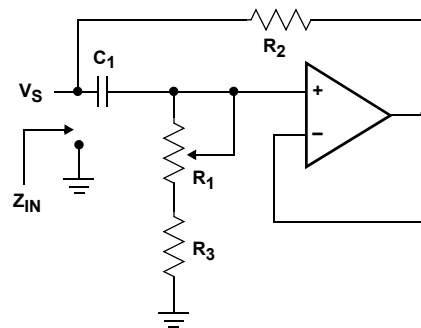
$G_0 = 1 + R_2/R_1$
 $f_c = 1/(2\pi RC)$

INVERTING AMPLIFIER



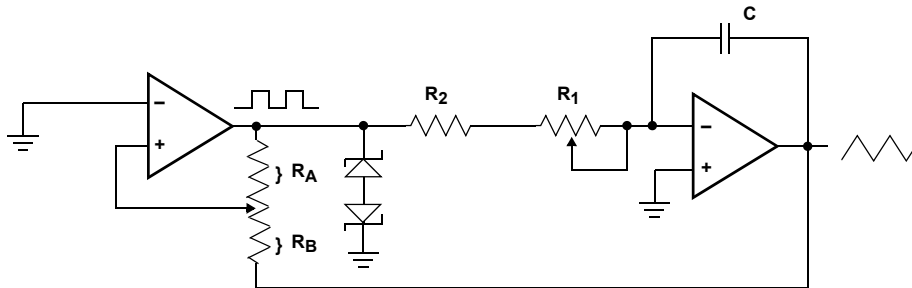
$V_O = G V_S$
 $G = -R_2/R_1$

EQUIVALENT L-R CIRCUIT



$Z_{IN} = R_2 + s R_2 (R_1 + R_3) C_1 = R_2 + s L_{eq}$
 $(R_1 + R_3) \gg R_2$

FUNCTION GENERATOR



FREQUENCY $\propto R_1, R_2, C$
AMPLITUDE $\propto R_A, R_B$

Revision History

The revision history provided is for informational purposes only and is believed to be accurate, but not warranted. Please go to the web to make sure that you have the latest revision.

DATE	REVISION	CHANGE
December 3, 2014	FN8166.6	Updated to Intersil new standards. Updated Ordering Information Table on page 3, by removing obsoleted parts and 100kΩ referenced parts, adding Note 3 and changed TSSOP POD references from "MDP0044" to "M24.173". Added Revision History and About Intersil verbiage. Updated M24.3 POD to the latest revision. -“Updated to new POD standard by removing table listing dimensions and putting dimensions on drawing. Added Land Pattern.” Replaced MDP0044 POD with M24.173 POD to update to new format and only show 24 Ld version.

About Intersil

Intersil Corporation is a leading provider of innovative power management and precision analog solutions. The company's products address some of the largest markets within the industrial and infrastructure, mobile computing and high-end consumer markets.

For the most updated datasheet, application notes, related documentation and related parts, please see the respective product information page found at www.intersil.com.

You may report errors or suggestions for improving this datasheet by visiting www.intersil.com/ask.

Reliability reports are also available from our website at www.intersil.com/support

For additional products, see www.intersil.com/en/products.html

Intersil products are manufactured, assembled and tested utilizing ISO9001 quality systems as noted in the quality certifications found at www.intersil.com/en/support/qualandreliability.html

Intersil products are sold by description only. Intersil Corporation reserves the right to make changes in circuit design, software and/or specifications at any time without notice. Accordingly, the reader is cautioned to verify that data sheets are current before placing orders. Information furnished by Intersil is believed to be accurate and reliable. However, no responsibility is assumed by Intersil or its subsidiaries for its use; nor for any infringements of patents or other rights of third parties which may result from its use. No license is granted by implication or otherwise under any patent or patent rights of Intersil or its subsidiaries.

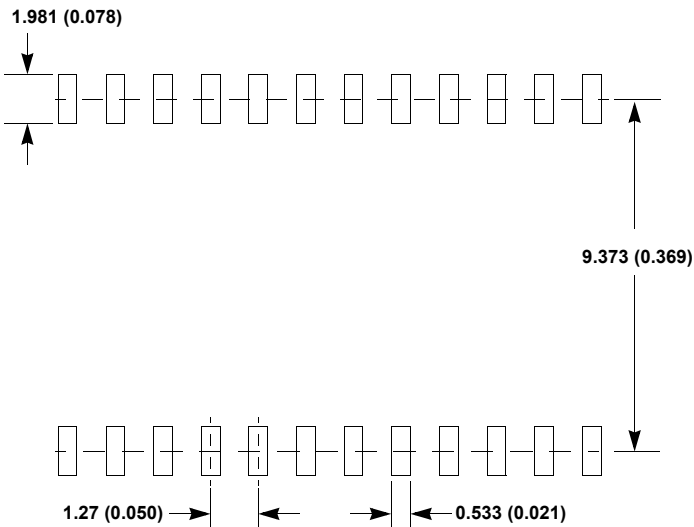
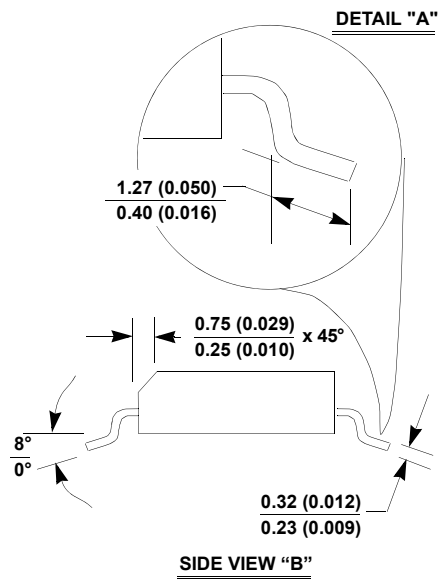
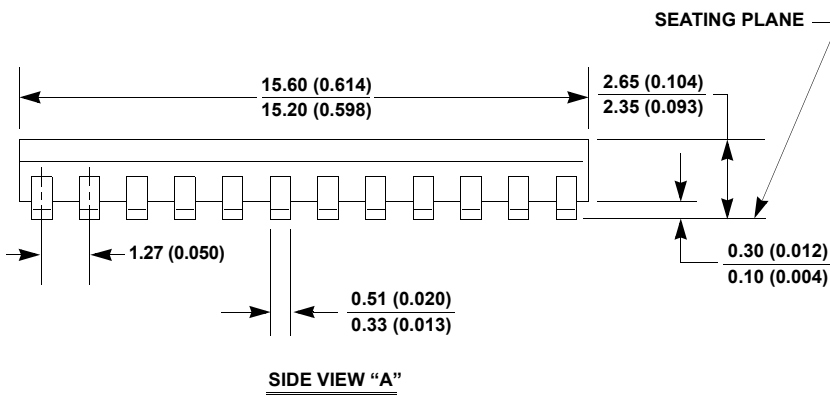
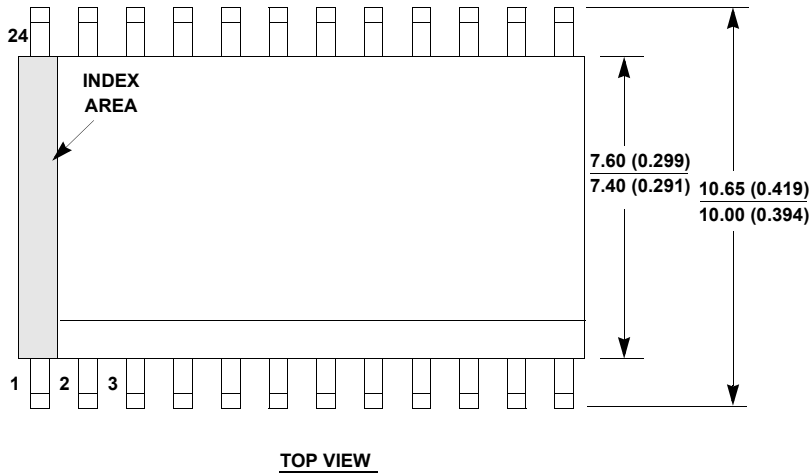
For information regarding Intersil Corporation and its products, see www.intersil.com

Package Outline Drawing

M24.3

24 LEAD WIDE BODY SMALL OUTLINE PLASTIC PACKAGE (SOIC)

Rev 2, 3/11



NOTES:

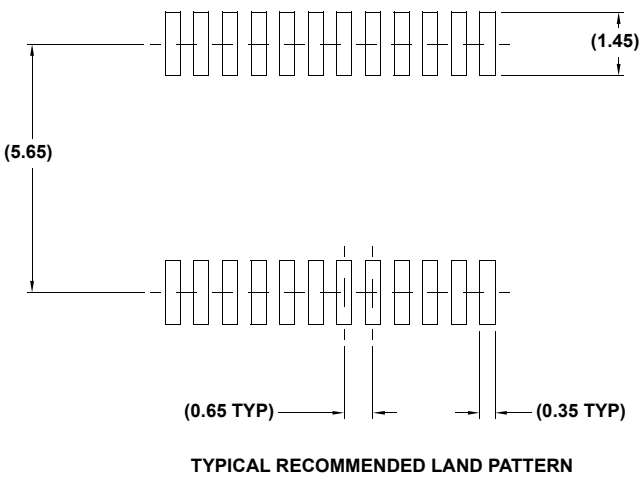
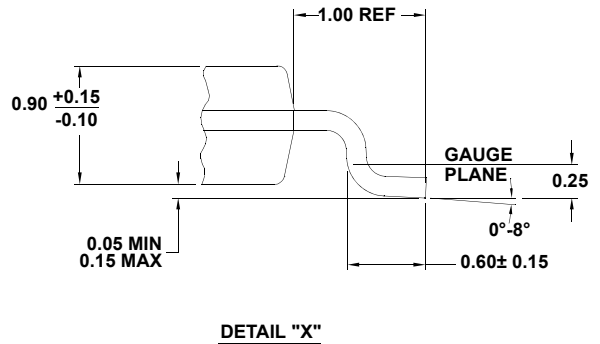
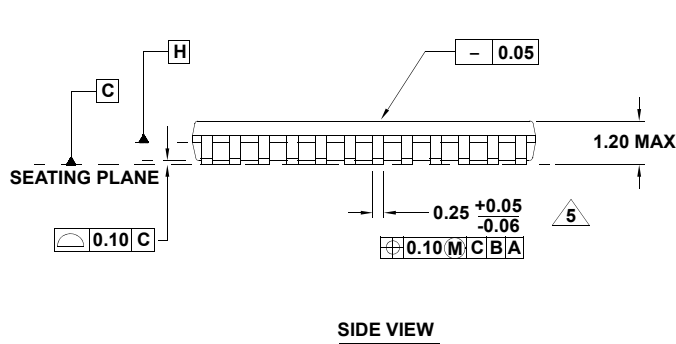
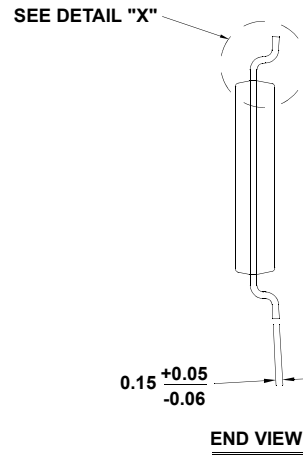
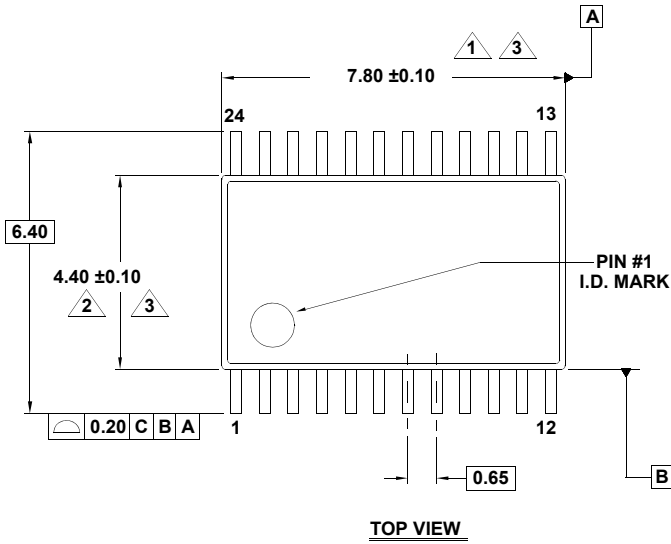
1. Dimensioning and tolerancing per ANSI Y14.5M-1982.
2. Package length does not include mold flash, protrusions or gate burrs. Mold flash, protrusion and gate burrs shall not exceed 0.15mm (0.006 inch) per side.
3. Package width does not include interlead flash or protrusions. Interlead flash and protrusions shall not exceed 0.25mm (0.010 inch) per side.
4. The chamfer on the body is optional. If it is not present, a visual index feature must be located within the crosshatched area.
5. Terminal numbers are shown for reference only.
6. The lead width as measured 0.36mm (0.014 inch) or greater above the seating plane, shall not exceed a maximum value of 0.61mm (0.024 inch).
7. Controlling dimension: MILLIMETER. Converted inch dimensions in () are not necessarily exact.
8. This outline conforms to JEDEC publication MS-013-AD ISSUE C.

Package Outline Drawing

M24.173

24 LEAD THIN SHRINK SMALL OUTLINE PACKAGE (TSSOP)

Rev 1, 5/10



NOTES:

1. Dimension does not include mold flash, protrusions or gate burrs. Mold flash, protrusions or gate burrs shall not exceed 0.15 per side.
2. Dimension does not include interlead flash or protrusion. Interlead flash or protrusion shall not exceed 0.25 per side.
3. Dimensions are measured at datum plane H.
4. Dimensioning and tolerancing per ASME Y14.5M-1994.
5. Dimension does not include dambar protrusion. Allowable protrusion shall be 0.08mm total in excess of dimension at maximum material condition. Minimum space between protrusion and adjacent lead is 0.07mm.
6. Dimension in () are for reference only.
7. Conforms to JEDEC MO-153.