

## 阅读申明

- 1.本站收集的数据手册和产品资料都来自互联网，版权归原作者所有。如读者和版权方有任何异议请及时告之，我们将妥善解决。
- 2.本站提供的中文数据手册是英文数据手册的中文翻译，其目的是协助用户阅读，该译文无法自动跟随原稿更新，同时也可能存在翻译上的不当。建议读者以英文原稿为参考以便获得更精准的信息。
- 3.本站提供的产品资料，来自厂商的技术支持或者使用者的心得体会等，其内容可能存在描述上的差异，建议读者做出适当判断。
- 4.如需与我们联系，请发邮件到marketing@iczoom.com，主题请标有“数据手册”字样。

## Read Statement

1. The datasheets and other product information on the site are all from network reference or other public materials, and the copyright belongs to the original author and original published source. If readers and copyright owners have any objections, please contact us and we will deal with it in a timely manner.
2. The Chinese datasheets provided on the website is a Chinese translation of the English datasheets. Its purpose is for reader's learning exchange only and do not involve commercial purposes. The translation cannot be automatically updated with the original manuscript, and there may also be improper translations. Readers are advised to use the English manuscript as a reference for more accurate information.
3. All product information provided on the website refer to solutions from manufacturers' technical support or users the contents may have differences in description, and readers are advised to take the original article as the standard.
4. If you have any questions, please contact us at marketing@iczoom.com and mark the subject with "Datasheets" .

## Features

### ◆ 32-bit CPU Core

- MIPS32 instruction set
- Cache Sizes: 16KB instruction and data caches, 4-Way set associative, cache line locking, non-blocking prefetches
- 16 dual-entry JTLB with variable page sizes
- 3-entry instruction TLB
- 3-entry data TLB
- Max issue rate of one 32x16 multiply per clock
- Max issue rate of one 32x32 multiply every other clock
- CPU control with start, stop and single stepping
- Software breakpoints support
- Hardware breakpoints on virtual addresses
- Enhanced JTAG and ICE Interface that is compatible with v2.5 of the EJTAG Specification

### ◆ DDR Memory Controller

- Supports up to 2GB of DDR SDRAM
- 2 chip selects (each chip select supports 4 internal DDR banks)
- Supports 16-bit or 32-bit data bus width using 8, 16, or 32-bit devices
- Supports 64Mb, 128Mb, 256Mb, 512Mb, and 1Gb DDR SDRAM devices
- Data bus multiplexing support allows interfacing to standard DDR DIMMs and SODIMMs
- Automatic refresh generation

### ◆ Memory and Peripheral Device Controller

- Provides “glueless” interface to standard SRAM, Flash, ROM, dual-port memory, and peripheral devices
- Demultiplexed address and data buses: 16-bit data bus, 26-bit address bus, 6 chip selects, supports alternate bus masters, control for external data bus buffers
- Supports 8-bit and 16-bit width devices
- Automatic byte gathering and scattering
- Flexible protocol configuration parameters: programmable number of wait states (0 to 63), programmable postread/post-write delay (0 to 31), supports external wait state generation, supports Intel and Motorola style peripherals
- Write protect capability per chip select
- Programmable bus transaction timer generates warm reset when counter expires
- Supports up to 64 MB of memory per chip select

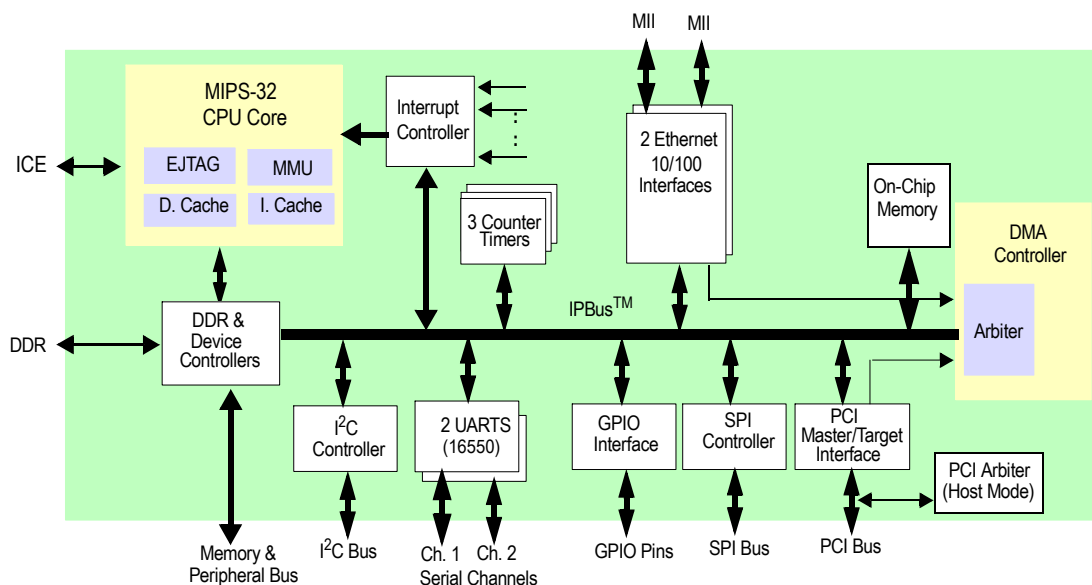
### ◆ Counter/Timers

- Three general purpose 32-bit counter timers

### ◆ PCI Interface

- 32-bit PCI revision 2.2 compliant (3.3V only)
- Supports host or satellite operation in both master and target modes
- Support for synchronous and asynchronous operation
- PCI clock supports frequencies from 16 MHz to 66 MHz
- PCI arbiter in Host mode: supports 6 external masters, fixed priority or round robin arbitration
- I<sub>2</sub>O “like” PCI Messaging Unit

## Block Diagram



- ◆ **DMA Controller**
  - 10 DMA channels: two channels for PCI (PCI to Memory and Memory to PCI), two for each Ethernet interface, two channels for memory to memory operations, two channels for external operations
  - Provides flexible descriptor based operation
  - Supports unaligned transfers (i.e., source or destination address may be on any byte boundary) with arbitrary byte length.
- ◆ **Two Ethernet Interfaces**
  - 10 and 100 Mb/s ISO/IEC 8802-3:1996 compliant
  - Two IEEE 802.3u compatible Media Independent Interfaces (MII) with serial management interface
  - MII supports IEEE 802.3u auto-negotiation speed selection
  - Supports 64 entry hash table based multicast address filtering
  - 512 byte transmit and receive FIFOs
  - Supports flow control functions outlined in IEEE Std. 802.3x-1997
- ◆ **Universal Asynchronous Receiver Transmitter (UART)**
  - Compatible with the 16550 and 16450 UARTs
  - Two completely separate serial channels
  - Modem control functions (CTS, RTS, DSR, DTR, RI, DCD)
  - 16-byte transmit and receive buffers
  - Programmable baud rate generator derived from the system clock
  - Fully programmable serial characteristics:
    - 5, 6, 7, or 8 bit characters
    - Even, odd or no parity bit generation and detection
    - 1, 1-1/2 or 2 stop bit generation
  - Line break generation and detection
  - False start bit detection
  - Internal loopback mode
- ◆ **I<sup>2</sup>C-Bus**
  - Supports standard 100 Kbps mode as well as 400 Kbps fast mode
  - Supports 7-bit and 10-bit addressing
  - Supports four modes: master transmitter, master receiver, slave transmitter, slave receiver
- ◆ **Additional General Purpose Peripherals**
  - Two 16550-compatible serial ports
  - Interrupt controller
  - System integrity functions
  - General purpose I/O controller
  - Serial peripheral interface (SPI)
- ◆ **On-chip Memory**
  - 4KB of high speed SRAM organized as 1K x 32 bits
  - Supports burst and non-burst byte, halfword, triple-byte, and word CPU, PCI, and DMA accesses
- ◆ **Debug Support**
  - Rev. 2.6 compliant EJTAG Interface

## Device Overview

The RC32438 is a member of the IDT™ Interprise™ family of PCI integrated communications processors. It incorporates a high performance CPU core and a number of on-chip peripherals. The integrated processor is designed to transfer information from I/O modules to main

memory with minimal CPU intervention using a highly sophisticated direct memory access (DMA) engine. All data transfers through the RC32438 are achieved by writing data from an on-chip I/O peripheral to main memory and then out to another I/O module.

### CPU Execution Core

The 32-bit CPU core is 100% compatible with the MIPS32 instruction set architecture (ISA).

Specifically, this device features the 4Kc CPU core developed by MIPS Technologies Inc. ([www.mips.com](http://www.mips.com)). This core issues a single instruction per cycle, includes a five stage pipeline, and is optimized for applications that require integer arithmetic. The CPU core includes 16 KB instruction and 16 KB data caches. Both caches are 4-way set associative and can be locked on a per line basis, which allows the programmer control over this precious on-chip memory resource. The core also features a memory management unit (MMU). The CPU core also incorporates an enhanced joint test access group (EJTAG) interface that is used to interface to in-circuit emulator tools, providing access to internal registers and enabling the part to be controlled externally, simplifying the system debug process. The use of this core allows IDT's customers to leverage the broad range of software and development tools available for the MIPS architecture, including operating systems, compilers, and in-circuit emulators.

### Double Data Rate Memory Controller

The RC32438 incorporates a high performance double data rate (DDR) memory controller which supports both x16 and x32 memory configurations up to 2GB. This module provides all of the signals required to interface to both memory modules and discrete devices, including two chip selects, differential clocking outputs and data strobes.

### Memory and I/O Controller

The RC32438 uses a dedicated local memory/I/O controller including a de-multiplexed 16-bit data and 26-bit address bus. It includes all of the signals required to interface directly to as many as six Intel or Motorola-style external peripherals, and the interface can be configured to support both 8-bit and 16-bit peripherals.

### DMA Controller

The DMA controller consists of 10 independent DMA channels, all of which operate in exactly the same manner. The DMA controller off-loads the CPU core from moving data among the on-chip interfaces, external peripherals, and memory. The controller supports scatter/gather DMA with no alignment restrictions, appropriate for communications and graphics systems.

### PCI Interface

The PCI interface on the RC32438 is compatible with version 2.2 of the PCI specification. An on-chip arbiter supports up to six external bus masters, supporting both fixed priority and rotating priority arbitration schemes. The part can support both satellite and host PCI configurations, enabling the RC32438 to act as a slave controller for a PCI add-in

card application, or as the primary PCI controller in the system. The PCI interface can be operated synchronously or asynchronously to the other I/O interfaces on the RC32438 device.

### Ethernet Interface

The RC32438 has two Ethernet Channels supporting 10Mbps and 100Mbps speeds to provide a standard media independent interface (MII) off-chip, allowing a wide range of external devices to be connected efficiently.

### UART Interface

The RC32438 contains two completely separate serial channels (UARTs) that are compatible with the industry standard 16550 UART.

### System Integrity Functions

The RC32438 contains a programmable watchdog timer that generates NMI when the counter expires and an address space monitor that reports errors in response to accesses to undecoded address regions.

### General Purpose I/O Controller

The RC32438 contains 32 general purpose input/output pins. Each pin may be used as an active high or active low level interrupt or non-maskable interrupt input, and each signal may be used as a bit input or output port.

### I<sup>2</sup>C Interface

The standard I2C interface allows the RC32438 to connect to a number of standard external peripherals for a more complete system solution. The RC32438 supports both master and slave operations.

### Debug Support

The RC32438 supports the industry standard Rev. 2.6 EJTAG interface.

### Thermal Considerations

The RC32438 consumes less than 2.7 W peak power. It is guaranteed in a ambient temperature range of 0° to +70° C for commercial temperature devices and - 40° to +85° for industrial temperature devices.

### Revision History

**November 7, 2002:** Initial publication. Preliminary Information.

**November 15, 2002:** Added footnotes to Tables 5, 9, and 10.

**December 12, 2002:** Added Clock Speed parameter to PLL and Core supply in Table 16.

**December 19, 2002:** Release version.

**January 13, 2003:** Changed Thermal Considerations to read less than 2.7W instead of 2.5W, added values to CLK parameter in Table 5, and revised EJTAG description.

**February 4, 2003:** Revised description for EJTAG/JTAG pins in Table 1. Changed DDRDM[7:0] from input/output to output only in Tables 1 and 2 and Logic Diagram. Added new section, Voltage Sense Signal Timing, as part of EJTAG description.

**March 4, 2003:** In Table 2, removed "pull-up" from PCI pin category and from GPIO [24] and GPIO[30-26]. In Table 20, changed max. values for VccSI/O, VccCore, and VccPLL.

**July 9, 2003:** In Table 7: changed values for DDRDATA, DDRDM, and DDRADDR—WEN signals, and deleted old footnote #3 and changed values in new footnote #3. In Table 8, changed Tdo values. Changed Figure 7. Changed values in Table 18, Power Consumption. Removed IPBus Monitor feature which included changes to Tables 1, 2, 21, 24, and 25. Deleted Table 13 which resulted in a re-ordering of subsequent tables.

**March 8, 2004:** Added 300MHz speed grade.

**May 25, 2004:** In Table 9, signals MIIXRXCLK and MIIXTXCLK, the Min and Max values for Thigh/Tlow\_9c were changed to 140 and 260 respectively and the Min and Max values for Thigh/Tlow\_9d were changed to 14.0 and 26.0 respectively.

## Pin Description Table

The following table lists the functions of the pins provided on the RC32438. Some of the functions listed may be multiplexed onto the same pin.

The active polarity of a signal is defined using a suffix. Signals ending with an “N” are defined as being active, or asserted, when at a logic zero (low) level. All other signals (including clocks, buses and select lines) will be interpreted as being active, or asserted when at a logic one (high) level.

| Signal                           | Type | Name/Description                                                                                                                                                                                                                                                                                                            |
|----------------------------------|------|-----------------------------------------------------------------------------------------------------------------------------------------------------------------------------------------------------------------------------------------------------------------------------------------------------------------------------|
| <b>System</b>                    |      |                                                                                                                                                                                                                                                                                                                             |
| CLK                              | I    | <b>Master Clock.</b> This is the master clock input. The processor frequency is a multiple of this clock frequency. This clock is used as the system clock for all memory and peripheral bus operations.                                                                                                                    |
| EXTCLK                           | O    | <b>External Clock.</b> This clock is used for all memory and peripheral bus operations.                                                                                                                                                                                                                                     |
| COLDRSTN                         | I    | <b>Cold Reset.</b> The assertion of this signal initiates a cold reset. This causes the processor state to be initialized, boot configuration to be loaded, and the internal PLL to lock onto the master clock (CLK).                                                                                                       |
| RSTN                             | I/O  | <b>Reset.</b> The assertion of this bidirectional signal initiates a warm reset. This signal is asserted by the RC32438 during a warm reset.                                                                                                                                                                                |
| <b>Memory and Peripheral Bus</b> |      |                                                                                                                                                                                                                                                                                                                             |
| BDIRN                            | O    | <b>External Buffer Direction.</b> Memory and peripheral bus external data bus buffer direction control. If the RC32438 memory and peripheral bus is connected to the A side of a transceiver, such as an IDT74FCT245, then this pin may be directly connected to the direction control (e.g., BDIR) pin of the transceiver. |
| BGN                              | O    | <b>Bus Grant.</b> This signal is asserted by the RC32438 to indicate that the RC32438 has relinquished ownership of the memory and peripheral bus.                                                                                                                                                                          |
| BOEN                             | O    | <b>External Buffer Enable.</b> This signal provides an output enable control for an external buffer on the memory and peripheral data bus.                                                                                                                                                                                  |
| BRN                              | I    | <b>Bus Request.</b> This signal is asserted by an external device to request ownership of the memory and peripheral bus.                                                                                                                                                                                                    |
| BWEN[1:0]                        | O    | <b>Byte Write Enables.</b> These signals are memory and peripheral bus byte write enable signals.<br>BWEN[0] corresponds to byte lane MDATA[7:0]<br>BWEN[1] corresponds to byte lane MDATA[15:8]                                                                                                                            |
| CSN[5:0]                         | O    | <b>Chip Selects.</b> These signals are used to select an external device on the memory and peripheral bus.                                                                                                                                                                                                                  |
| MADDR[21:0]                      | O    | <b>Address Bus.</b> 22-bit memory and peripheral bus address bus.<br>MADDR[25:22] are available as GPIO alternate functions                                                                                                                                                                                                 |
| MDATA[15:0]                      | I/O  | <b>Data Bus.</b> 16-bit memory and peripheral data bus. During a cold reset, these pins function as inputs that are used to load the boot configuration vector.                                                                                                                                                             |
| OEN                              | O    | <b>Output Enable.</b> This signal is asserted when data should be driven on by an external device on the memory and peripheral bus.                                                                                                                                                                                         |
| RWN                              | O    | <b>Read Write.</b> This signal indicates if the transaction on the memory and peripheral bus is a read transaction or a write transaction. A high level indicates a read from an external device. A low level indicates a write to an external device.                                                                      |

Table 1 Pin Description (Part 1 of 9)

| Signal         | Type | Name/Description                                                                                                                                                                                                                                                                                                                                                                                                                                                                                                                                                 |
|----------------|------|------------------------------------------------------------------------------------------------------------------------------------------------------------------------------------------------------------------------------------------------------------------------------------------------------------------------------------------------------------------------------------------------------------------------------------------------------------------------------------------------------------------------------------------------------------------|
| WAITACKN       | I    | <b>Wait or Transfer Acknowledge.</b> When configured as wait, this signal is asserted during a memory and peripheral bus transaction to extend the bus cycle. When configured as a transfer acknowledge, this signal is asserted during a transaction to signal the completion of the transaction.                                                                                                                                                                                                                                                               |
| <b>DDR Bus</b> |      |                                                                                                                                                                                                                                                                                                                                                                                                                                                                                                                                                                  |
| DDRADDR[13:0]  | O    | <b>DDR Address Bus.</b> 14-bit multiplexed DDR bus address bus. This bus is used to transfer the addresses to the DDR devices.                                                                                                                                                                                                                                                                                                                                                                                                                                   |
| DDRBA[1:0]     | O    | <b>DDR Bank Address.</b> These signals are used to transfer the bank address to the DDRs.                                                                                                                                                                                                                                                                                                                                                                                                                                                                        |
| DDRCASN        | O    | <b>DDR Column Address Strobe.</b> This signal is asserted during DDR transactions.                                                                                                                                                                                                                                                                                                                                                                                                                                                                               |
| DDRCKE         | O    | <b>DDR Clock Enable.</b> The DDR clock enable is asserted during normal DDR operation. This signal is negated during following a cold reset or during a power down operation.                                                                                                                                                                                                                                                                                                                                                                                    |
| DDRCKN[1:0]    | O    | <b>DDR Negative DDR clock.</b> These signals are the negative clock of the differential DDR clock pair. Two copies of this output are provided to reduce signal loading.                                                                                                                                                                                                                                                                                                                                                                                         |
| DDRCKP[1:0]    | O    | <b>DDR Positive DDR clock.</b> These signals are the positive clock of the differential DDR clock pair. Two copies of this output are provided to reduce signal loading.                                                                                                                                                                                                                                                                                                                                                                                         |
| DDRC SN[1:0]   | O    | <b>DDR Chip Selects.</b> These active low signals are used to select DDR device(s) on the DDR bus.                                                                                                                                                                                                                                                                                                                                                                                                                                                               |
| DDRDATA[31:0]  | I/O  | <b>DDR Data Bus.</b> 32-bit DDR data bus used to transfer data between the RC32438 and the DDR devices. Data is transferred on both edges of the clock.                                                                                                                                                                                                                                                                                                                                                                                                          |
| DDRDM[7:0]     | O    | <b>DDR Data Write Enables.</b> Byte data write enables used to enable specific byte lanes during DDR writes.<br>DDRDM[0] corresponds to DDRDATA[7:0]<br>DDRDM[1] corresponds to DDRDATA[15:8]<br>DDRDM[2] corresponds to DDRDATA[23:16]<br>DDRDM[3] corresponds to DDRDATA[31:24]<br>DDRDM[4] corresponds to DDRDATA[39:32]<br>DDRDM[5] corresponds to DDRDATA[47:40]<br>DDRDM[6] corresponds to DDRDATA[55:48]<br>DDRDM[7] corresponds to DDRDATA[54:56]<br>(Refer to the DDR Data Bus Multiplexing section in Chapter 7 of the RC32438 User Reference Manual.) |
| DDR DQS[3:0]   | I/O  | <b>DDR Data Strobes.</b> DDR byte data strobes used to clock data between DDR devices and the RC32438. These strobes are inputs during DDR reads and outputs during DDR writes.<br>DDR DQS[0] corresponds to DDRDATA[7:0].<br>DDR DQS[1] corresponds to DDRDATA[15:8].<br>DDR DQS[2] corresponds to DDRDATA[23:16].<br>DDR DQS[3] corresponds to DDRDATA[31:24].                                                                                                                                                                                                 |
| DDROEN[3:0]    | O    | <b>DDR Bus Switch Output Enables.</b> These pins are used to enable external data bus switches in systems that support data bus multiplexing.                                                                                                                                                                                                                                                                                                                                                                                                                    |
| DDRRASN        | O    | <b>DDR Row Address Strobe.</b> The DDR row address strobe is asserted during DDR transactions.                                                                                                                                                                                                                                                                                                                                                                                                                                                                   |

Table 1 Pin Description (Part 2 of 9)

| Signal         | Type | Name/Description                                                                                                                                                                                                                                                                                                                                                                                                                                                                                                                                                                                                                                                                                                                                                                                                                                                                                                                                                         |
|----------------|------|--------------------------------------------------------------------------------------------------------------------------------------------------------------------------------------------------------------------------------------------------------------------------------------------------------------------------------------------------------------------------------------------------------------------------------------------------------------------------------------------------------------------------------------------------------------------------------------------------------------------------------------------------------------------------------------------------------------------------------------------------------------------------------------------------------------------------------------------------------------------------------------------------------------------------------------------------------------------------|
| DDRVREF        | I    | <b>DDR Voltage Reference.</b> SSTL_2 DDR voltage reference generated by an external source.                                                                                                                                                                                                                                                                                                                                                                                                                                                                                                                                                                                                                                                                                                                                                                                                                                                                              |
| DDRWEN         | O    | <b>DDR Write Enable.</b> DDR write enable is asserted during DDR write transactions.                                                                                                                                                                                                                                                                                                                                                                                                                                                                                                                                                                                                                                                                                                                                                                                                                                                                                     |
| <b>PCI Bus</b> |      |                                                                                                                                                                                                                                                                                                                                                                                                                                                                                                                                                                                                                                                                                                                                                                                                                                                                                                                                                                          |
| PCIAD[31:0]    | I/O  | <b>PCI Multiplexed Address/Data Bus.</b> Address is driven by a bus master during initial PCIFRAMEN assertion. Data is then driven by the bus master during writes or by the bus target during reads.                                                                                                                                                                                                                                                                                                                                                                                                                                                                                                                                                                                                                                                                                                                                                                    |
| PCICBEN[3:0]   | I/O  | <b>PCI Multiplexed Command/Byte Enable Bus.</b> PCI command is driven by the bus master during the initial PCIFRAMEN assertion. Byte enable signals are driven by the bus master during subsequent data phase(s).                                                                                                                                                                                                                                                                                                                                                                                                                                                                                                                                                                                                                                                                                                                                                        |
| PCICLK         | I    | <b>PCI Clock.</b> Clock used for all PCI bus transactions.                                                                                                                                                                                                                                                                                                                                                                                                                                                                                                                                                                                                                                                                                                                                                                                                                                                                                                               |
| PCIDEVSELN     | I/O  | <b>PCI Device Select.</b> This signal is driven by a bus target to indicate that the target has decoded the address as one of its own address spaces.                                                                                                                                                                                                                                                                                                                                                                                                                                                                                                                                                                                                                                                                                                                                                                                                                    |
| PCIFRAMEN      | I/O  | <b>PCI Frame.</b> Driven by a bus master. Assertion indicates the beginning of a bus transaction. Negation indicates the last data.                                                                                                                                                                                                                                                                                                                                                                                                                                                                                                                                                                                                                                                                                                                                                                                                                                      |
| PCIGNTN[3:0]   | I/O  | <p><b>PCI Bus Grant.</b></p> <p><b>In PCI host mode with internal arbiter:</b><br/>The assertion of these signals indicates to the agent that the internal RC32438 arbiter has granted the agent access to the PCI bus.</p> <p><b>In PCI host mode with external arbiter:</b><br/>PCIGNTN[0]: asserted by an external arbiter to indicate to the RC32438 that access to the PCI bus has been granted.<br/>PCIGNTN[3:1]: unused and driven high.</p> <p><b>In PCI satellite mode:</b><br/>PCIGNTN[0]: This signal is asserted by an external arbiter to indicate to the RC32438 that access to the PCI bus has been granted.<br/>PCIGNTN[1]: this signal takes on the alternate function of PCIEECS and is used as a PCI Serial EEPROM chip select<br/>PCIGNTN[3:2]: unused and driven high.</p> <p><b>Note:</b> When the GPIO register is programmed in the alternate function mode for bits GPIO [26] and [28], these bits become PCIGNTN [4] and [5] respectively.</p> |
| PCIIRDYN       | I/O  | <b>PCI Initiator Ready.</b> Driven by the bus master to indicate that the current datum can complete.                                                                                                                                                                                                                                                                                                                                                                                                                                                                                                                                                                                                                                                                                                                                                                                                                                                                    |
| PCILOCKN       | I/O  | <b>PCI Lock.</b> This signal is asserted by an external bus master to indicate that an exclusive operation is occurring.                                                                                                                                                                                                                                                                                                                                                                                                                                                                                                                                                                                                                                                                                                                                                                                                                                                 |
| PCIPAR         | I/O  | <b>PCI Parity.</b> Even parity of the PCIAD[31:0] bus. Driven by the bus master during address and write Data phases. Driven by the bus target during the read data phase.                                                                                                                                                                                                                                                                                                                                                                                                                                                                                                                                                                                                                                                                                                                                                                                               |
| PCIPERRN       | I/O  | <b>PCI Parity Error.</b> If a parity error is detected, this signal is asserted by the receiving bus agent 2 clocks after the data is received.                                                                                                                                                                                                                                                                                                                                                                                                                                                                                                                                                                                                                                                                                                                                                                                                                          |

Table 1 Pin Description (Part 3 of 9)

| Signal                              | Type | Name/Description                                                                                                                                                                                                                                                                                                                                                                                                                                                                                                                                                                                                                                                                                                                                                                                                                                                                   |
|-------------------------------------|------|------------------------------------------------------------------------------------------------------------------------------------------------------------------------------------------------------------------------------------------------------------------------------------------------------------------------------------------------------------------------------------------------------------------------------------------------------------------------------------------------------------------------------------------------------------------------------------------------------------------------------------------------------------------------------------------------------------------------------------------------------------------------------------------------------------------------------------------------------------------------------------|
| PCIREQN[3:0]                        | I/O  | <p><b>PCI Bus Request.</b></p> <p><b>In PCI host mode with internal arbiter:</b><br/>These signals are inputs whose assertion indicates to the internal RC32438 arbiter that an agent desires ownership of the PCI bus.</p> <p><b>In PCI host mode with external arbiter:</b><br/>PCIREQN[0]: asserted by the RC32438 to request ownership of the PCI bus.<br/>PCIREQN[3:1]: unused and driven high.</p> <p><b>In PCI satellite mode:</b><br/>PCIREQN[0]: this signal is asserted by the RC32438 to request use of the PCI bus.<br/>PCIREQN[1]: function changes to PCIIDSEL and is used as a chip select during configuration read and write transactions.<br/>PCIREQN[3:2]: unused and driven high.</p> <p><b>Note:</b> When the GPIO register is programmed in the alternate function mode for bits GPIO [24] and [27], these bits become PCIREQN [4] and [5] respectively.</p> |
| PCIRSTN                             | I/O  | <b>PCI Reset.</b> In host mode, this signal is asserted by the RC32438 to generate a PCI reset. In satellite mode, assertion of this signal initiates a warm reset.                                                                                                                                                                                                                                                                                                                                                                                                                                                                                                                                                                                                                                                                                                                |
| PCISERRN                            | I/O  | <b>PCI System Error.</b> This signal is driven by an agent to indicate an address parity error, data parity error during a special cycle command, or any other system error. Requires an external pull-up.                                                                                                                                                                                                                                                                                                                                                                                                                                                                                                                                                                                                                                                                         |
| PCISTOPN                            | I/O  | <b>PCI Stop.</b> Driven by the bus target to terminate the current bus transaction. For example, to indicate a retry.                                                                                                                                                                                                                                                                                                                                                                                                                                                                                                                                                                                                                                                                                                                                                              |
| PCITRDYN                            | I/O  | <b>PCI Target Ready.</b> Driven by the bus target to indicate that the current data can complete.                                                                                                                                                                                                                                                                                                                                                                                                                                                                                                                                                                                                                                                                                                                                                                                  |
| <b>General Purpose Input/Output</b> |      |                                                                                                                                                                                                                                                                                                                                                                                                                                                                                                                                                                                                                                                                                                                                                                                                                                                                                    |
| GPIO[0]                             | I/O  | <p><b>General Purpose I/O.</b></p> <p>This pin can be configured as a general purpose I/O pin.<br/>Alternate function pin name: U0SOUT<br/>Alternate function: UART channel 0 serial output.</p>                                                                                                                                                                                                                                                                                                                                                                                                                                                                                                                                                                                                                                                                                   |
| GPIO[1]                             | I/O  | <p><b>General Purpose I/O.</b></p> <p>This pin can be configured as a general purpose I/O pin.<br/>Alternate function pin name: U0SINP<br/>Alternate function: UART channel 0 serial input.</p>                                                                                                                                                                                                                                                                                                                                                                                                                                                                                                                                                                                                                                                                                    |
| GPIO[2]                             | I/O  | <p><b>General Purpose I/O.</b></p> <p>This pin can be configured as a general purpose I/O pin.<br/>Alternate function pin name: U0RIN<br/>Alternate function: UART channel 0 ring indicator input.</p>                                                                                                                                                                                                                                                                                                                                                                                                                                                                                                                                                                                                                                                                             |
| GPIO[3]                             | I/O  | <p><b>General Purpose I/O.</b></p> <p>This pin can be configured as a general purpose I/O pin.<br/>Alternate function pin name: U0DCDN<br/>Alternate function: UART channel 0 data carrier detect input.</p>                                                                                                                                                                                                                                                                                                                                                                                                                                                                                                                                                                                                                                                                       |
| GPIO[4]                             | I/O  | <p><b>General Purpose I/O.</b></p> <p>This pin can be configured as a general purpose I/O pin.<br/>Alternate function pin name: U0DTRN<br/>Alternate function: UART channel 0 data terminal ready input.</p>                                                                                                                                                                                                                                                                                                                                                                                                                                                                                                                                                                                                                                                                       |
| GPIO[5]                             | I/O  | <p><b>General Purpose I/O.</b></p> <p>This pin can be configured as a general purpose I/O pin.<br/>Alternate function pin name: U0DSRN<br/>Alternate function: UART channel 0 data set ready input.</p>                                                                                                                                                                                                                                                                                                                                                                                                                                                                                                                                                                                                                                                                            |

Table 1 Pin Description (Part 4 of 9)



| Signal   | Type | Name/Description                                                                                                                                                                                 |
|----------|------|--------------------------------------------------------------------------------------------------------------------------------------------------------------------------------------------------|
| GPIO[6]  | I/O  | <b>General Purpose I/O.</b><br>This pin can be configured as a general purpose I/O pin.<br>Alternate function pin name: U0RTSN<br>Alternate function: UART channel 0 request to send output.     |
| GPIO[7]  | I/O  | <b>General Purpose I/O.</b><br>This pin can be configured as a general purpose I/O pin.<br>Alternate function pin name: U0CTSN<br>Alternate function: UART channel 0 clear to send input.        |
| GPIO[8]  | I/O  | <b>General Purpose I/O.</b><br>This pin can be configured as a general purpose I/O pin.<br>Alternate function pin name: U1SOUT<br>Alternate function: UART channel 1 serial output.              |
| GPIO[9]  | I/O  | <b>General Purpose I/O.</b><br>This pin can be configured as a general purpose I/O pin.<br>Alternate function pin name: U1SINP<br>Alternate function: UART channel 1 serial input.               |
| GPIO[10] | I/O  | <b>General Purpose I/O.</b><br>This pin can be configured as a general purpose I/O pin.<br>Alternate function pin name: U1DTRN<br>Alternate function: UART channel 1 data terminal ready output. |
| GPIO[11] | I/O  | <b>General Purpose I/O.</b><br>This pin can be configured as a general purpose I/O pin.<br>Alternate function pin name: U1DSRN<br>Alternate function: UART channel 1 data set ready input.       |
| GPIO[12] | I/O  | <b>General Purpose I/O.</b><br>This pin can be configured as a general purpose I/O pin.<br>Alternate function pin name: U1RTSN<br>Alternate function: UART channel 1 request to send output.     |
| GPIO[13] | I/O  | <b>General Purpose I/O.</b><br>This pin can be configured as a general purpose I/O pin.<br>Alternate function pin name: U1CTSN<br>Alternate function: UART channel 1 clear to send input.        |
| GPIO[14] | I/O  | <b>General Purpose I/O.</b><br>This pin can be configured as a general purpose I/O pin.<br>Alternate function pin name: DMAREQN0<br>Alternate function: External DMA channel 0 request input.    |
| GPIO[15] | I/O  | <b>General Purpose I/O.</b><br>This pin can be configured as a general purpose I/O pin.<br>Alternate function pin name: DMAREQN1<br>Alternate function: External DMA channel 1 request input.    |
| GPIO[16] | I/O  | <b>General Purpose I/O.</b><br>This pin can be configured as a general purpose I/O pin.<br>Alternate function pin name: DMADONEN0<br>Alternate function: External DMA channel 0 done input.      |
| GPIO[17] | I/O  | <b>General Purpose I/O.</b><br>This pin can be configured as a general purpose I/O pin.<br>Alternate function pin name: DMADONEN1<br>Alternate function: External DMA channel 1 done input.      |

Table 1 Pin Description (Part 5 of 9)

| Signal   | Type | Name/Description                                                                                                                                                                                   |
|----------|------|----------------------------------------------------------------------------------------------------------------------------------------------------------------------------------------------------|
| GPIO[18] | I/O  | <b>General Purpose I/O.</b><br>This pin can be configured as a general purpose I/O pin.<br>Alternate function pin name: DMAFINN0<br>Alternate function: External DMA channel 0 finished output.    |
| GPIO[19] | I/O  | <b>General Purpose I/O.</b><br>This pin can be configured as a general purpose I/O pin.<br>Alternate function pin name: DMAFINN1<br>Alternate function: External DMA channel 1 finished output.    |
| GPIO[20] | I/O  | <b>General Purpose I/O.</b><br>This pin can be configured as a general purpose I/O pin<br>Alternate function pin name: MADDR[22]<br>Alternate function: Memory and peripheral bus address output.  |
| GPIO[21] | I/O  | <b>General Purpose I/O.</b><br>This pin can be configured as a general purpose I/O pin.<br>Alternate function pin name: MADDR[23]<br>Alternate function: Memory and peripheral bus address output. |
| GPIO[22] | I/O  | <b>General Purpose I/O.</b><br>This pin can be configured as a general purpose I/O pin.<br>Alternate function pin name: MADDR[24]<br>Alternate function: Memory and peripheral bus address output. |
| GPIO[23] | I/O  | <b>General Purpose I/O.</b><br>This pin can be configured as a general purpose I/O pin.<br>Alternate function pin name: MADDR[25]<br>Alternate function: Memory and peripheral bus address output. |
| GPIO[24] | I/O  | <b>General Purpose I/O.</b><br>This pin can be configured as a general purpose I/O pin.<br>Alternate function pin name: PCIREQN[4]<br>Alternate function: PCI Request 4 input or output.           |
| GPIO[25] | I/O  | <b>General Purpose I/O.</b><br>This pin can be configured as a general purpose I/O pin.<br>Alternate function pin name: AFSPARE1<br>Alternate function: <i>reserved.</i>                           |
| GPIO[26] | I/O  | <b>General Purpose I/O.</b><br>This pin can be configured as a general purpose I/O pin.<br>Alternate function pin name: PCIGNTN[4]<br>Alternate function: PCI Grant 4 output.                      |
| GPIO[27] | I/O  | <b>General Purpose I/O.</b><br>This pin can be configured as a general purpose I/O pin.<br>Alternate function pin name: PCIREQN[5]<br>Alternate function: PCI Request 5 input or output.           |
| GPIO[28] | I/O  | <b>General Purpose I/O.</b><br>This pin can be configured as a general purpose I/O pin.<br>Alternate function pin name: PCIGNTN[5]<br>Alternate function: PCI Grant 5 output.                      |
| GPIO[29] | I/O  | <b>General Purpose I/O.</b><br>This pin can be configured as a general purpose I/O pin.<br>Alternate function pin name: Reserved<br>Alternate function: Reserved.                                  |

Table 1 Pin Description (Part 6 of 9)

| Signal                              | Type | Name/Description                                                                                                                                                                                                     |
|-------------------------------------|------|----------------------------------------------------------------------------------------------------------------------------------------------------------------------------------------------------------------------|
| GPIO[30]                            | I/O  | <b>General Purpose I/O.</b><br>This pin can be configured as a general purpose I/O pin.<br>Alternate function pin name: PCIMUINTN<br>Alternate function: PCI Messaging unit interrupt output.                        |
| GPIO[31]                            | I/O  | <b>General Purpose I/O.</b><br>This pin can be configured as a general purpose I/O pin.                                                                                                                              |
| <b>SPI Interface</b>                |      |                                                                                                                                                                                                                      |
| SCK                                 | I/O  | <b>Serial Clock.</b> This signal is used as the serial clock output in SPI mode and in PCI satellite mode with suspended CPU execution during PCI serial EEPROM loading. This pin may be configured as a GPIO pin.   |
| SDI                                 | I/O  | <b>Serial Data Input.</b> This signal is used to shift in serial data in SPI mode and in PCI satellite mode with suspended CPU execution during PCI serial EEPROM loading. This pin may be configured as a GPIO pin. |
| SDO                                 | I/O  | <b>Serial Data Output.</b> This signal is used shift out serial data in SPI mode and in PCI satellite mode with suspended CPU execution during PCI serial EEPROM loading. This pin may be configured as a GPIO pin.  |
| <b>I<sup>2</sup>C Bus Interface</b> |      |                                                                                                                                                                                                                      |
| SCL                                 | I/O  | <b>I<sup>2</sup>C Clock.</b> I <sup>2</sup> C-bus clock.                                                                                                                                                             |
| SDA                                 | I/O  | <b>I<sup>2</sup>C Data Bus.</b> I <sup>2</sup> C-bus data bus.                                                                                                                                                       |
| <b>Ethernet Interfaces</b>          |      |                                                                                                                                                                                                                      |
| MII0CL                              | I    | <b>Ethernet 0 MII Collision Detected.</b> This signal is asserted by the ethernet PHY when a collision is detected.                                                                                                  |
| MII0CRS                             | I    | <b>Ethernet 0 MII Carrier Sense.</b> This signal is asserted by the ethernet PHY when either the transmit or receive medium is not idle.                                                                             |
| MII0RXCLK                           | I    | <b>Ethernet 0 MII Receive Clock.</b> This clock is a continuous clock that provides a timing reference for the reception of data.                                                                                    |
| MII0RXD[3:0]                        | I    | <b>Ethernet 0 MII Receive Data.</b> This nibble wide data bus contains the data received by the ethernet PHY.                                                                                                        |
| MII0RXDV                            | I    | <b>Ethernet 0 MII Receive Data Valid.</b> The assertion of this signal indicates that valid receive data is in the MII receive data bus.                                                                             |
| MII0RXER                            | I    | <b>Ethernet 0 MII Receive Error.</b> The assertion of this signal indicates that an error was detected somewhere in the ethernet frame currently being sent in the MII receive data bus.                             |
| MII0TXCLK                           | I    | <b>Ethernet 0 MII Transmit Clock.</b> This clock is a continuous clock that provides a timing reference for the transfer of transmit data.                                                                           |
| MII0TXD[3:0]                        | O    | <b>Ethernet 0 MII Transmit Data.</b> This nibble wide data bus contains the data to be transmitted.                                                                                                                  |
| MII0TXENP                           | O    | <b>Ethernet 0 MII Transmit Enable.</b> The assertion of this signal indicates that data is present on the MII for transmission.                                                                                      |
| MII0TXER                            | O    | <b>Ethernet 0 MII Transmit Coding Error.</b> When this signal is asserted together with MII0TXENP, the ethernet PHY will transmit symbols which are not valid data or delimiters.                                    |
| MII1CL                              | I    | <b>Ethernet 1 MII Collision Detected.</b> This signal is asserted by the ethernet PHY when a collision is detected.                                                                                                  |

Table 1 Pin Description (Part 7 of 9)

| Signal              | Type | Name/Description                                                                                                                                                                                                                                                 |
|---------------------|------|------------------------------------------------------------------------------------------------------------------------------------------------------------------------------------------------------------------------------------------------------------------|
| MII1CRS             | I    | <b>Ethernet 1 MII Carrier Sense.</b> This signal is asserted by the ethernet PHY when either the transmit or receive medium is not idle.                                                                                                                         |
| MII1RXCLK           | I    | <b>Ethernet 1 MII Receive Clock.</b> This clock is a continuous clock that provides a timing reference for the reception of data.                                                                                                                                |
| MII1RXD[3:0]        | I    | <b>Ethernet 1 MII Receive Data.</b> This nibble wide data bus contains the data received by the ethernet PHY.                                                                                                                                                    |
| MII1RXDV            | I    | <b>Ethernet 1 MII Receive Data Valid.</b> The assertion of this signal indicates that valid receive data is in the MII receive data bus.                                                                                                                         |
| MII1RXER            | I    | <b>Ethernet 1 MII Receive Error.</b> The assertion of this signal indicates that an error was detected somewhere in the ethernet frame currently being sent in the MII receive data bus.                                                                         |
| MII1TXCLK           | I    | <b>Ethernet 1 MII Transmit Clock.</b> This clock is a continuous clock that provides a timing reference for the transfer of transmit data.                                                                                                                       |
| MII1TXD[3:0]        | O    | <b>Ethernet 1 MII Transmit Data.</b> This nibble wide data bus contains the data to be transmitted.                                                                                                                                                              |
| MII1TXENP           | O    | <b>Ethernet 1 MII Transmit Enable.</b> The assertion of this signal indicates that data is present on the MII for transmission.                                                                                                                                  |
| MII1TXER            | O    | <b>Ethernet 1 MII Transmit Coding Error.</b> When this signal is asserted together with MIITXENP, the ethernet PHY will transmit symbols which are not valid data or delimiters.                                                                                 |
| MIIMDC              | O    | <b>MII Management Data Clock.</b> This signal is used as a timing reference for transmission of data on the management interface.                                                                                                                                |
| MIIMDIO             | I/O  | <b>MII Management Data.</b> This bidirectional signal is used to transfer data between the station management entity and the ethernet PHY.                                                                                                                       |
| <b>JTAG / EJTAG</b> |      |                                                                                                                                                                                                                                                                  |
| EJTAG_TMS           | I    | <b>EJTAG Mode.</b> The value on this signal controls the test mode select of the EJTAG Controller. When using the JTAG boundary scan, this pin should be left disconnected (since there is an internal pull-up) or driven high.                                  |
| JTAG_TCK            | I    | <b>JTAG Clock.</b> This is an input test clock used to clock the shifting of data into or out of the boundary scan logic, JTAG Controller, or the EJTAG Controller. JTAG_TCK is independent of the system and the processor clock with a nominal 50% duty cycle. |
| JTAG_TDI            | I    | <b>JTAG Data Input.</b> This is the serial data input to the boundary scan logic, JTAG Controller, or the EJTAG Controller.                                                                                                                                      |
| JTAG_TDO            | O    | <b>JTAG Data Output.</b> This is the serial data shifted out from the boundary scan logic, JTAG Controller, or the EJTAG Controller. When no data is being shifted out, this signal is tri-stated.                                                               |
| JTAG_TMS            | I    | <b>JTAG Mode.</b> The value on this signal controls the test mode select of the boundary scan logic or JTAG Controller. When using the EJTAG debug interface, this pin should be left disconnected (since there is an internal pull-up) or driven high.          |

Table 1 Pin Description (Part 8 of 9)

| Signal       | Type | Name/Description                                                                                                                                                                                                                                                                                                                                                                                                                                                                                                                                                                 |
|--------------|------|----------------------------------------------------------------------------------------------------------------------------------------------------------------------------------------------------------------------------------------------------------------------------------------------------------------------------------------------------------------------------------------------------------------------------------------------------------------------------------------------------------------------------------------------------------------------------------|
| JTAG_TRST_N  | I    | <b>JTAG Reset.</b> This active low signal asynchronously resets the boundary scan logic, JTAG TAP Controller, and the EJTAG Debug TAP Controller. An external pull-up on the board is recommended to meet the JTAG specification in cases where the tester can access this signal. However, for systems running in functional mode, one of the following should occur:<br>1) actively drive this signal low with control logic<br>2) statically drive this signal low with an external pull-down on the board<br>3) clock JTAG_TCK while holding EJTAG_TMS and/or JTAG_TMS high. |
| <b>Debug</b> |      |                                                                                                                                                                                                                                                                                                                                                                                                                                                                                                                                                                                  |
| CPU          | O    | <b>CPU Transaction.</b> This signal is asserted during all CPU instruction fetches and data transfers to/from the DDR and devices on the memory and peripheral bus. The signal is negated during PCI and DMA transactions to/from the DDR and devices on the memory and peripheral bus.                                                                                                                                                                                                                                                                                          |
| INST         | O    | <b>Instruction or Data.</b> This signal is driven high during CPU instruction fetches on the memory and peripheral bus memory or DDR bus.                                                                                                                                                                                                                                                                                                                                                                                                                                        |

Table 1 Pin Description (Part 9 of 9)

## Pin Characteristics

**Note:** Some input pads of the RC32438 do not contain internal pull-ups or pull-downs. Unused inputs should be tied off to appropriate levels. This is especially critical for unused control signal inputs (such as BRN) which, if left floating, could adversely affect the RC32438's operation. Also, any input pin left floating can cause a slight increase in power consumption.

| Function                  | Pin Name    | Type | Buffer | I/O Type         | Internal Resistor | Notes <sup>1</sup> |
|---------------------------|-------------|------|--------|------------------|-------------------|--------------------|
| Memory and Peripheral Bus | BDIRN       | O    | LVTTTL | High Drive       |                   |                    |
|                           | BGN         | O    | LVTTTL | Low Drive        |                   |                    |
|                           | BOEN        | O    | LVTTTL | High Drive       |                   |                    |
|                           | BRN         | I    | LVTTTL | STI <sup>2</sup> | pull-up           |                    |
|                           | BWEN[1:0]   | O    | LVTTTL | High Drive       |                   |                    |
|                           | CSN[5:0]    | O    | LVTTTL | High Drive       |                   |                    |
|                           | MADDR[21:0] | O    | LVTTTL | High Drive       |                   |                    |
|                           | MDATA[15:0] | I/O  | LVTTTL | High Drive       |                   |                    |
|                           | OEN         | O    | LVTTTL | High Drive       |                   |                    |
|                           | RWN         | O    | LVTTTL | High Drive       |                   |                    |
|                           | WAITACKN    | I    | LVTTTL | STI              | pull-up           |                    |

Table 2 Pin Characteristics (Part 1 of 4)

| Function                       | Pin Name                 | Type | Buffer          | I/O Type            | Internal Resistor | Notes <sup>1</sup> |
|--------------------------------|--------------------------|------|-----------------|---------------------|-------------------|--------------------|
| DDR Bus                        | DDRADDR[13:0]            | O    | SSTL_2          | SSTL_2              |                   |                    |
|                                | DDRBA[1:0]               | O    | SSTL_2          | SSTL_2              |                   |                    |
|                                | DDRCASN                  | O    | SSTL_2          | SSTL_2              |                   |                    |
|                                | DDRCKE                   | O    | SSTL_2 / LVCMOS | SSTL_2              |                   |                    |
|                                | DDRCKN[1:0]              | O    | SSTL_2          | SSTL_2              |                   |                    |
|                                | DDRCKP[1:0]              | O    | SSTL_2          | SSTL_2              |                   |                    |
|                                | DDRCASN                  | O    | SSTL_2          | SSTL_2              |                   |                    |
|                                | DDRDATA[31:0]            | I/O  | SSTL_2          | SSTL_2              |                   |                    |
|                                | DDRDM[7:0]               | O    | SSTL_2          | SSTL_2              |                   |                    |
|                                | DDRQDS[3:0]              | I/O  | SSTL_2          | SSTL_2              |                   |                    |
|                                | DDROEN[3:0]              | O    | SSTL_2          | SSTL_2              |                   |                    |
|                                | DDRRASN                  | O    | SSTL_2          | SSTL_2              |                   |                    |
|                                | DDRVREF                  | I    | Analog          | SSTL_2              |                   |                    |
|                                | DDRWEN                   | O    | SSTL_2          | SSTL_2              |                   |                    |
| PCI Bus Interface <sup>3</sup> | PCIAID[31:0]             | I/O  | PCI             | PCI                 |                   |                    |
|                                | PCICBEN[3:0]             | I/O  | PCI             | PCI                 |                   |                    |
|                                | PCICLK                   | I    | PCI             | PCI                 |                   |                    |
|                                | PCIDEVSELN               | I/O  | PCI             | PCI                 |                   | pull-up on board   |
|                                | PCIFRAMEN                | I/O  | PCI             | PCI                 |                   | pull-up on board   |
|                                | PCIGNTN[3:0]             | I/O  | PCI             | PCI                 |                   | pull-up on board   |
|                                | PCIIRDYN                 | I/O  | PCI             | PCI                 |                   | pull-up on board   |
|                                | PCILOCKN                 | I/O  | PCI             | PCI                 |                   |                    |
|                                | PCIPAR                   | I/O  | PCI             | PCI                 |                   |                    |
|                                | PCIPERRN                 | I/O  | PCI             | PCI                 |                   |                    |
|                                | PCIREQN[3:0]             | I/O  | PCI             | PCI                 |                   | pull-up on board   |
|                                | PCIRSTN                  | I/O  | PCI             | PCI                 |                   | pull-down on board |
|                                | PCISERRN                 | I/O  | PCI             | Open Collector; PCI |                   | pull-up on board   |
|                                | PCISTOPN                 | I/O  | PCI             | PCI                 |                   | pull-up on board   |
|                                | PCITRDYN                 | I/O  | PCI             | PCI                 |                   | pull-up on board   |
| General Purpose I/O            | GPIO[23:0]               | I/O  | LVTTL           | Low Drive           | pull-up           |                    |
|                                | GPIO[24]                 | I/O  | PCI             |                     |                   | pull-up on board   |
|                                | GPIO[25]                 | I/O  | LVTTL           | Low Drive           | pull-up           |                    |
|                                | GPIO[30:26] <sup>4</sup> | I/O  | PCI             |                     |                   | pull-up on board   |
|                                | GPIO[31]                 | I/O  | LVTTL           | Low Drive           | pull-up           |                    |

Table 2 Pin Characteristics (Part 2 of 4)

| Function                       | Pin Name     | Type  | Buffer    | I/O Type      | Internal Resistor | Notes <sup>1</sup>            |
|--------------------------------|--------------|-------|-----------|---------------|-------------------|-------------------------------|
| Serial Interface               | SCK          | I/O   | LVTTL     | Low Drive     | pull-up           | pull-up on board              |
|                                | SDI          | I/O   | LVTTL     | Low Drive     | pull-up           | pull-up on board              |
|                                | SDO          | I/O   | LVTTL     | Low Drive     | pull-up           | pull-up on board              |
| I <sup>2</sup> C-Bus Interface | SCL          | I/O   | LVTTL     | Low Drive/STI |                   | pull-up on board <sup>5</sup> |
|                                | SDA          | I/O   | LVTTL     | Low Drive/STI |                   | pull-up on board <sup>5</sup> |
| Ethernet Interfaces            | MII0CL       | I     | LVTTL     | STI           | pull-down         |                               |
|                                | MII0CRS      | I     | LVTTL     | STI           | pull-down         |                               |
|                                | MII0RXCLK    | I     | LVTTL     | STI           | pull-up           |                               |
|                                | MII0RXD[3:0] | I     | LVTTL     | STI           | pull-up           |                               |
|                                | MII0RXDV     | I     | LVTTL     | STI           | pull-down         |                               |
|                                | MII0RXER     | I     | LVTTL     | STI           | pull-down         |                               |
|                                | MII0TXCLK    | I     | LVTTL     | STI           | pull-up           |                               |
|                                | MII0TXD[3:0] | O     | LVTTL     | Low Drive     |                   |                               |
|                                | MII0TXENP    | O     | LVTTL     | Low Drive     |                   |                               |
|                                | MII0TXER     | O     | LVTTL     | Low Drive     |                   |                               |
|                                | MII1CL       | I     | LVTTL     | STI           | pull-down         |                               |
|                                | MII1CRS      | I     | LVTTL     | STI           | pull-down         |                               |
|                                | MII1RXCLK    | I     | LVTTL     | STI           | pull-up           |                               |
|                                | MII1RXD[3:0] | I     | LVTTL     | STI           | pull-up           |                               |
|                                | MII1RXDV     | I     | LVTTL     | STI           | pull-down         |                               |
|                                | MII1RXER     | I     | LVTTL     | STI           | pull-down         |                               |
|                                | MII1TXCLK    | I     | LVTTL     | STI           | pull-up           |                               |
|                                | MII1TXD[3:0] | O     | LVTTL     | Low Drive     |                   |                               |
|                                | MII1TXENP    | O     | LVTTL     | Low Drive     |                   |                               |
|                                | MII1TXER     | O     | LVTTL     | Low Drive     |                   |                               |
| MIIIMDC                        | O            | LVTTL | Low Drive |               |                   |                               |
| MIIIMDIO                       | I/O          | LVTTL | Low Drive | pull-up       |                   |                               |
| EJTAG / ICE                    | JTAG_TRST_N  | I     | LVTTL     | STI           | pull-up           |                               |
|                                | JTAG_TCK     | I     | LVTTL     | STI           | pull-up           |                               |
|                                | JTAG_TDI     | I     | LVTTL     | STI           | pull-up           |                               |
|                                | JTAG_TDO     | O     | LVTTL     | Low Drive     |                   |                               |
|                                | JTAG_TMS     | I     | LVTTL     | STI           | pull-up           |                               |
|                                | EJTAG_TMS    | I     | LVTTL     | STI           | pull-up           |                               |
| Debug                          | CPU          | O     | LVTTL     | Low Drive     |                   |                               |
|                                | INST         | O     | LVTTL     | Low Drive     |                   |                               |

Table 2 Pin Characteristics (Part 3 of 4)

| Function      | Pin Name | Type | Buffer | I/O Type        | Internal Resistor | Notes <sup>1</sup> |
|---------------|----------|------|--------|-----------------|-------------------|--------------------|
| Miscellaneous | CLK      | I    | LVTTL  | STI             |                   |                    |
|               | EXTCLK   | O    | LVTTL  | High Drive      |                   |                    |
|               | COLDRSTN | I    | LVTTL  | STI             |                   |                    |
|               | RSTN     | I/O  | LVTTL  | Low Drive / STI | pull-up           | pull-up on board   |

Table 2 Pin Characteristics (Part 4 of 4)

- <sup>1</sup> External pull-up required in most system applications. Some applications may require additional pull-ups not identified in this table.
- <sup>2</sup> Schmidt Trigger Input (STI).
- <sup>3</sup> The PCI pins have internal pull-ups but they are too weak to guarantee system validity. Therefore, board pull-ups are mandatory where indicated. GPIO alternate function pins for PCI must also have board pull-ups.
- <sup>4</sup> PCIMUINTN is an alternate function of GPIO[30]. When configured as an alternate function, this pin is tri-stated when not asserted (i.e., it acts as an open collector output).
- <sup>5</sup> Use a 2.2K pull-up resistor for I2C pins.

## Boot Configuration Vector

The boot configuration vector is read by the RC32438 during a cold reset. The vector defines essential RC32438 parameters that are required once the cold reset completes.

The encoding of the boot configuration vector is described in Table 3, and the vector input is illustrated in Figure 4. The value of the boot configuration vector read in by the RC32438 during a cold reset may be determined by reading the Boot Configuration Vector (BCV) Register.

| Signal     | Name/Description                                                                                                                                                                                                                                                                                                                                                                                                                                                                                                                                          |
|------------|-----------------------------------------------------------------------------------------------------------------------------------------------------------------------------------------------------------------------------------------------------------------------------------------------------------------------------------------------------------------------------------------------------------------------------------------------------------------------------------------------------------------------------------------------------------|
| MDATA[3:0] | <p><b>CPU Pipeline Clock Multiplier.</b> This field specifies the value by which the PLL multiplies the master clock input (CLK) to obtain the processor clock frequency (PCLK). For master clock input frequency constraints, refer to Table 3.1 in the RC32438 User Manual.</p> <p>0x0 - PLL Bypass<br/> 0x1 - Multiply by 3<br/> 0x2 - Multiply by 4<br/> 0x3 - Multiply by 6<br/> 0x4 - Multiply by 8<br/> 0x5 - reserved<br/> 0x6 - reserved<br/> 0x7 - reserved<br/> 0x8 - reserved<br/> 0xD - reserved<br/> 0xE - reserved<br/> 0xF - reserved</p> |
| MDATA[5:4] | <p><b>External Clock Divider.</b> This field specifies the value by which the IPBus clock (ICLK), which is always 1/2 PCLK, is divided in order to generate the external clock output on the EXTCLK pin.</p> <p>0x0 - Divide by 1<br/> 0x1 - Divide by 2<br/> 0x2 - Divide by 4<br/> 0x3 - reserved</p>                                                                                                                                                                                                                                                   |
| MDATA[6]   | <p><b>Endian.</b> This bit specifies the endianness.</p> <p>0x0 - little endian<br/> 0x1 - big endian</p>                                                                                                                                                                                                                                                                                                                                                                                                                                                 |

Table 3 Boot Configuration Encoding (Part 1 of 2)



| Signal       | Name/Description                                                                                                                                                                                                                                                                                                                                                                                                                                                                                                                                                                                                                                                                                                                                 |
|--------------|--------------------------------------------------------------------------------------------------------------------------------------------------------------------------------------------------------------------------------------------------------------------------------------------------------------------------------------------------------------------------------------------------------------------------------------------------------------------------------------------------------------------------------------------------------------------------------------------------------------------------------------------------------------------------------------------------------------------------------------------------|
| MDATA[7]     | <b>Boot Device Width.</b> This field specifies the width of the boot device (i.e., Device 0).<br>0x0 - 8-bit boot device width<br>0x1 - 16-bit boot device width                                                                                                                                                                                                                                                                                                                                                                                                                                                                                                                                                                                 |
| MDATA[8]     | <b>Reset Mode.</b> This bit specifies the length of time the RSTN signal is driven.<br>0x0 - Normal reset: RSTN driven for minimum of 4096 clock cycles<br>0x1 - reserved                                                                                                                                                                                                                                                                                                                                                                                                                                                                                                                                                                        |
| MDATA[11:9]  | <b>PCI Mode.</b> This bit controls the operating mode of the PCI bus interface. The initial value of the EN bit in the PCIC register is determined by the PCI mode.<br>0x0 - Disabled (EN initial value is zero)<br>0x1 - PCI satellite mode with PCI target not ready (EN initial value is one)<br>0x2 - PCI satellite mode with suspended CPU execution (EN initial value is one)<br>0x3 - PCI host mode with external arbiter (EN initial value is zero)<br>0x4 - PCI host mode with internal arbiter using fixed priority arbitration algorithm (EN initial value is zero)<br>0x5 - PCI host mode with internal arbiter using round robin arbitration algorithm (EN initial value is zero)<br>0x6 - <i>reserved</i><br>0x7 - <i>reserved</i> |
| MDATA[12]    | <b>Disable Watchdog Timer.</b> When this bit is set, the watchdog timer is disabled following a cold reset.<br>0x0 - Watchdog timer enabled<br>0x1 - Watchdog timer disabled                                                                                                                                                                                                                                                                                                                                                                                                                                                                                                                                                                     |
| MDATA[15:13] | <b>Reserved.</b> These pins must be driven low during boot configuration.                                                                                                                                                                                                                                                                                                                                                                                                                                                                                                                                                                                                                                                                        |

Table 3 Boot Configuration Encoding (Part 2 of 2)

# Logic Diagram — RC32438

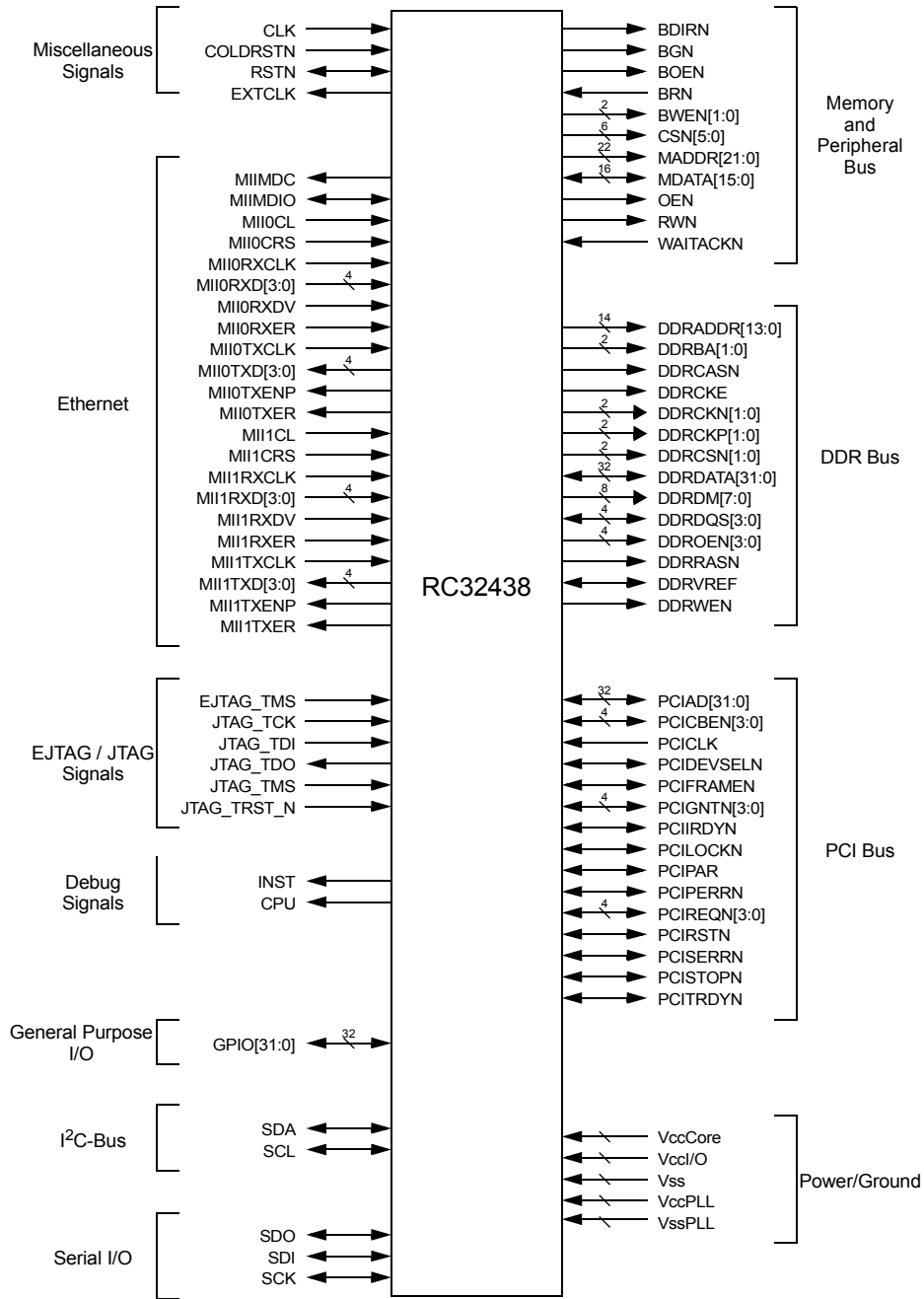


Figure 1 Logic Diagram

## AC Timing Definitions

Below are examples of the AC timing characteristics used throughout this document.

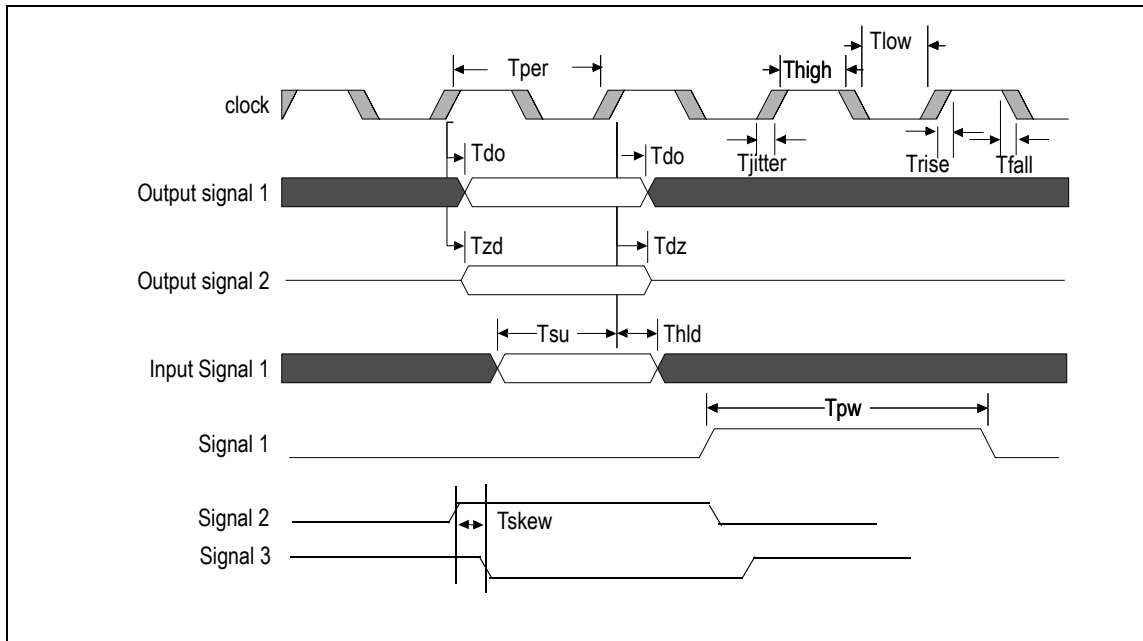


Figure 2 AC Timing Definitions Waveform

| Symbol   | Definition                                                                                                                                                                                                                |
|----------|---------------------------------------------------------------------------------------------------------------------------------------------------------------------------------------------------------------------------|
| Tper     | Clock period.                                                                                                                                                                                                             |
| Tlow     | Clock low. Amount of time the clock is low in one clock period.                                                                                                                                                           |
| Thigh    | Clock high. Amount of time the clock is high in one clock period.                                                                                                                                                         |
| Trise    | Rise time. Low to high transition time.                                                                                                                                                                                   |
| Tfall    | Fall time. High to low transition time.                                                                                                                                                                                   |
| Tjitter  | Jitter. Amount of time the reference clock (or signal) edge can vary on either the rising or falling edges.                                                                                                               |
| Tdo      | Data out. Amount of time after the reference clock edge that the output will become valid. The minimum time represents the data output hold. The maximum time represents the earliest time the designer can use the data. |
| Tzd      | Z state to data valid. Amount of time after the reference clock edge that the tri-stated output takes to become valid.                                                                                                    |
| Tdz      | Data valid to Z state. Amount of time after the reference clock edge that the valid output takes to become tri-stated.                                                                                                    |
| Tsu      | Input set-up. Amount of time before the reference clock edge that the input must be valid.                                                                                                                                |
| Thld     | Input hold. Amount of time after the reference clock edge that the input must remain valid.                                                                                                                               |
| Tpw      | Pulse width. Amount of time the input or output is active for asynchronous signals.                                                                                                                                       |
| Tslew    | Slew rate. The rise or fall rate for a signal to go from a high to low, or low to high.                                                                                                                                   |
| X(clock) | Timing value. This notation represents a value of 'X' multiplied by the clock time period of the specified clock. Using 5(CLK) as an example: X = 5 and the oscillator clock (CLK) = 25MHz, then the timing value is 200. |
| Tskew    | Skew. The amount of time two signal edges deviate from one another.                                                                                                                                                       |

Table 4 AC Timing Definitions

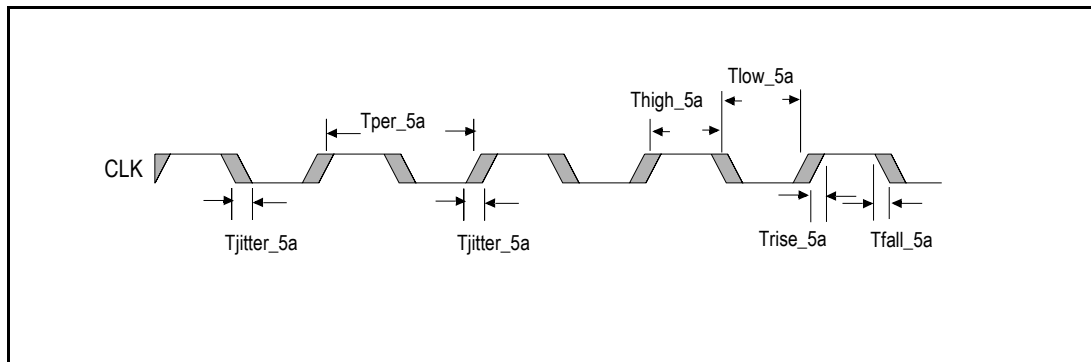
## System Clock Parameters

Values based on systems running at recommended supply voltages and operating temperatures, as shown in Tables 15 and 16.

| Parameter             | Symbol             | Reference Edge | 200MHz |      | 233MHz |       | 266MHz |      | 300MHz |      | Units        | Timing Diagram Reference |
|-----------------------|--------------------|----------------|--------|------|--------|-------|--------|------|--------|------|--------------|--------------------------|
|                       |                    |                | Min    | Max  | Min    | Max   | Min    | Max  | Min    | Max  |              |                          |
| PCLK <sup>1</sup>     | Frequency          | none           | 200    | 200  | 200    | 233   | 200    | 266  | 200    | 300  | MHz          | See Figure 3.            |
|                       | Tper               |                | 5.0    | 5.0  | 4.2    | 5.0   | 3.8    | 5.0  | 3.3    | 5.0  | ns           |                          |
| ICLK <sup>2,3,4</sup> | Frequency          | none           | 100    | 100  | 100    | 116.5 | 100    | 133  | 100    | 150  | MHz          |                          |
|                       | Tper               |                | 10.0   | 10.0 | 10.0   | 8.5   | 10.0   | 7.5  | 6.7    | 10.0 | ns           |                          |
| CLK <sup>5</sup>      | Frequency          | none           | 25     | 66.6 | 25     | 77.6  | 25     | 88.6 | 25     | 100  | MHz          |                          |
|                       | Tper_5a            |                | 15.0   | 40.0 | 12.9   | 40.0  | 11.2   | 40.0 | 10     | 40   | ns           |                          |
|                       | Thigh_5a, Tlow_5a  |                | 40     | 60   | 40     | 60    | 40     | 60   | 40     | 60   | % of Tper_5a |                          |
|                       | Trise_5a, Tfall_5a |                | —      | 3.0  | —      | 3.0   | —      | 3.0  | —      | 3.0  | ns           |                          |
|                       | Tjitter_5a         |                | —      | 0.1  | —      | 0.1   | —      | 0.1  | —      | 0.1  | ns           |                          |

**Table 5 Clock Parameters**

- <sup>1</sup>. The CPU pipeline clock (PCLK) speed is selected during cold reset by the boot configuration vector (see Table 3).
- <sup>2</sup>. ICLK is the internal IPBus clock. It is always equal to PCLK divided by 2. This clock cannot be sampled externally.
- <sup>3</sup>. The ethernet clock (MIIXRXCLK and MIIXTXCLK) frequency must be equal to or less than 1/2 ICLK (MIIXRXCLK and MIIXTXCLK <= 1/2(ICLK)).
- <sup>4</sup>. PCICLK must be equal to or less than two times ICLK (PCICLK <= 2(ICLK)) with a maximum PCICLK of 66MHz.
- <sup>5</sup>. The input clock (CLK) is input from the external oscillator to the internal PLL.



**Figure 3 Clock Parameters Waveform**

## AC Timing Characteristics

Values given below are based on systems running at recommended operating temperatures and supply voltages, shown in Tables 15 and 16.

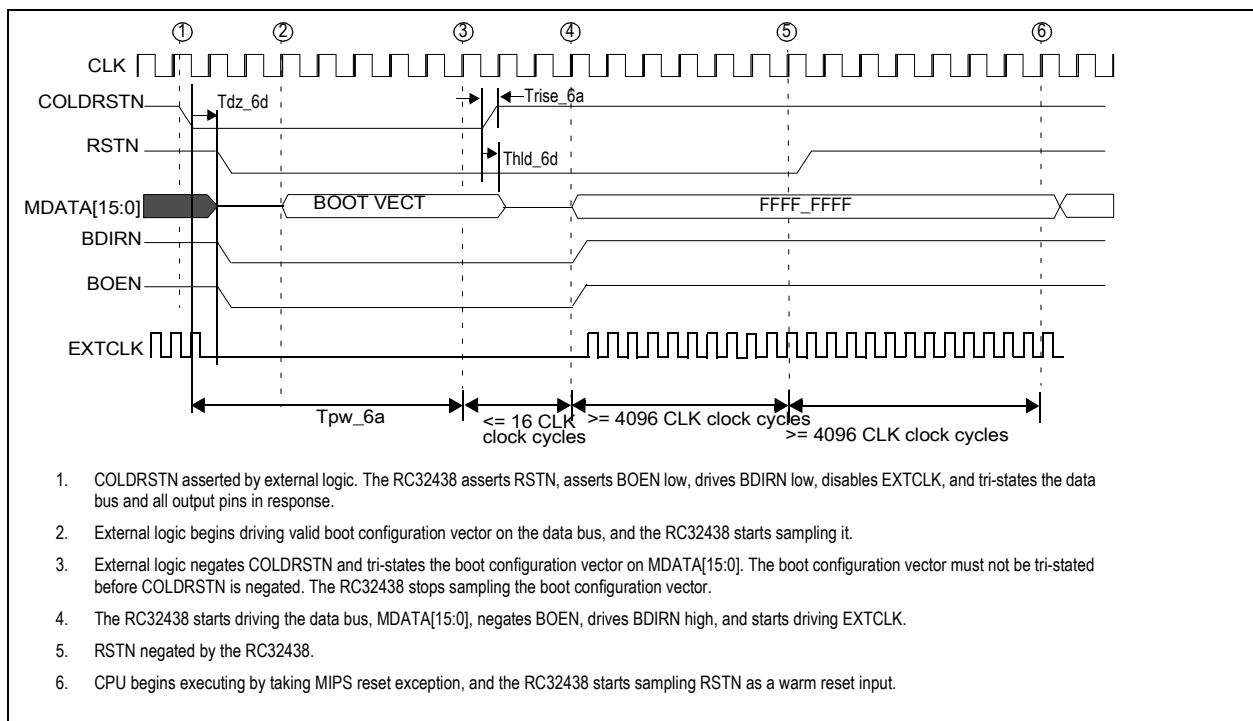
| Signal                     | Symbol              | Reference Edge   | 200MHz    |        | 233MHz    |        | 266MHz    |        | 300MHz    |        | Unit | Conditions | Timing Diagram Reference |
|----------------------------|---------------------|------------------|-----------|--------|-----------|--------|-----------|--------|-----------|--------|------|------------|--------------------------|
|                            |                     |                  | Min       | Max    | Min       | Max    | Min       | Max    | Min       | Max    |      |            |                          |
| <b>Reset</b>               |                     |                  |           |        |           |        |           |        |           |        |      |            |                          |
| COLDRSTN <sup>1</sup>      | Tpw_6a <sup>2</sup> | none             | OSC + 0.5 | —      | OSC + 0.5 | —      | OSC + 0.5 | —      | OSC + 0.5 | —      | ms   | Cold reset | See Figures 4 and 5.     |
|                            | Trise_6a            | none             | —         | 5.0    | —         | 5.0    | —         | 5.0    | —         | 5.0    | ns   | Cold reset |                          |
| RSTN <sup>3</sup> (input)  | Tpw_6b <sup>2</sup> | none             | 2(CLK)    | —      | 2(CLK)    | —      | 2(CLK)    | —      | 2(CLK)    | —      | ns   | Warm reset |                          |
| RSTN <sup>3</sup> (output) | Tdo_6c              | COLDRSTN falling | —         | 15.0   | —         | 15.0   | —         | 15.0   | —         | 15.0   | ns   | Cold reset |                          |
| MDATA[15:0] (boot vector)  | Thld_6d             | COLDRSTN rising  | 3.0       | —      | 3.0       | —      | 3.0       | —      | 3.0       | —      | ns   | Cold reset |                          |
|                            | Tdz_6d <sup>2</sup> | COLDRSTN falling | —         | 30.0   | —         | 30.0   | —         | 30.0   | —         | 30.0   | ns   | Cold reset |                          |
|                            | Tdz_6d <sup>2</sup> | RSTN falling     | —         | 5(CLK) | —         | 5(CLK) | —         | 5(CLK) | —         | 5(CLK) | ns   | Warm reset |                          |
|                            | Tzd_6d <sup>2</sup> | RSTN rising      | 2(CLK)    | —      | 2(CLK)    | —      | 2(CLK)    | —      | 2(CLK)    | —      | ns   | Warm reset |                          |

**Table 6 Reset and System AC Timing Characteristics**

<sup>1</sup>. The COLDRSTN minimum pulse width is the oscillator stabilization time (OSC) plus 0.5 ms with V<sub>cc</sub> stable.

<sup>2</sup>. The values for this symbol were determined by calculation, not by testing.

<sup>3</sup>. RSTN is a bidirectional signal. It is treated as an asynchronous input.



**Figure 4 Cold Reset AC Timing Waveform**

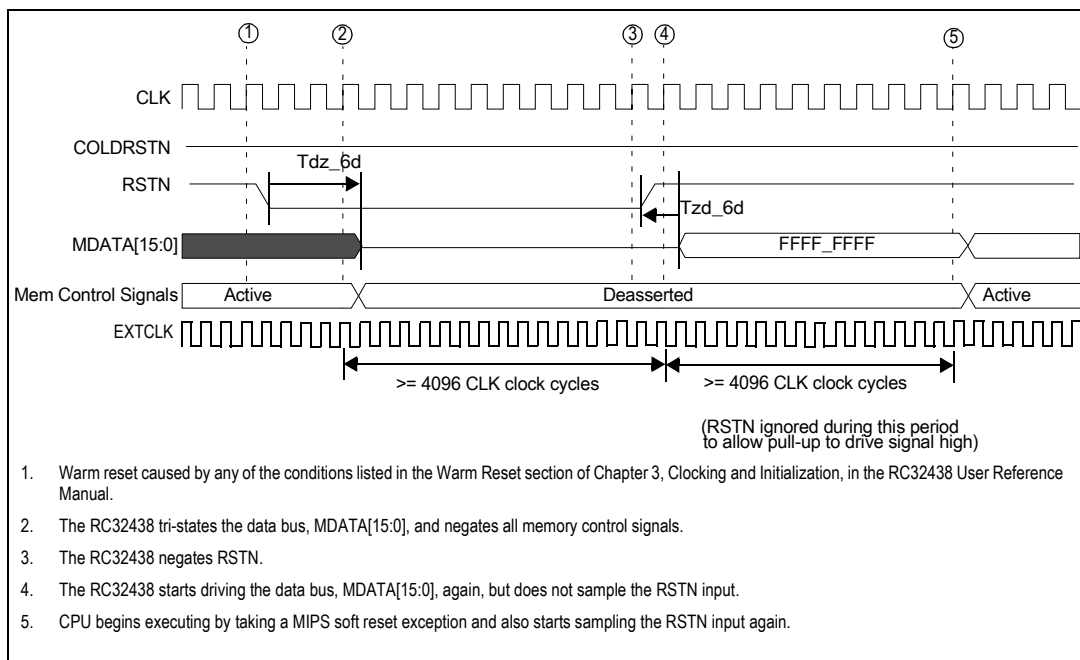


Figure 5 Warm Reset AC Timing Waveform

| Signal                                                                                               | Symbol <sup>1</sup>   | Reference Edge | 200MHz |      | 233MHz |      | 266MHz |      | 300MHz |      | Unit | Conditions | Timing Diagram Reference |
|------------------------------------------------------------------------------------------------------|-----------------------|----------------|--------|------|--------|------|--------|------|--------|------|------|------------|--------------------------|
|                                                                                                      |                       |                | Min    | Max  | Min    | Max  | Min    | Max  | Min    | Max  |      |            |                          |
| <b>Memory Bus - DDR Access</b>                                                                       |                       |                |        |      |        |      |        |      |        |      |      |            |                          |
| DDRDATA[31:0]                                                                                        | Tskew_7g <sup>2</sup> | DDRQStx        | 0.0    | 0.9  | 0.0    | 0.9  | 0.0    | 0.9  | 0.0    | 0.8  | ns   |            | See Figures 6 and 7.     |
|                                                                                                      | Tdo_7k <sup>3</sup>   |                | 1.5    | 3.3  | 1.1    | 2.9  | 0.9    | 2.7  | 0.7    | 2.4  | ns   |            |                          |
| DDRDM[7:0]                                                                                           | Tdo_7l                | DDRQStx        | 1.5    | 3.3  | 1.1    | 2.9  | 0.9    | 2.7  | 0.7    | 2.4  | ns   |            |                          |
| DDRQStx[3:0]                                                                                         | Tac                   | DDRCKPx        | -0.75  | 0.75 | -0.75  | 0.75 | -0.75  | 0.75 | -0.75  | 0.75 | ns   |            |                          |
| DDRADDR[13:0],<br>DDRBA[1:0],<br>DDRCASN, DDRCKE,<br>DDRCNS[1:0],<br>DDROEN[3:0],<br>DDRRASN, DDRWEN | Tdo_7m <sup>4</sup>   | DDRCKPx        | 1.1    | 4.5  | 1.1    | 4.5  | 1.1    | 4.5  | 1.1    | 4.5  | ns   |            |                          |

Table 7 DDR SDRAM Timing Characteristics

- <sup>1</sup> In the DDR data sheet: Tskew\_7g = t<sub>DQSQ</sub>; Tdo\_7k = t<sub>DH</sub>, t<sub>DS</sub>; Tdo\_7l = t<sub>DH</sub>, t<sub>DS</sub>; Tac = t<sub>AC</sub>; Tdo\_7m = t<sub>IH</sub>, t<sub>IS</sub>.
- <sup>2</sup> Meets DDR timing requirements for DDR 266 SDRAMs with 400 ps remaining margin to compensate for PCB propagation mismatches, which is adequate to guarantee functional timing, provided the RC32438 DDR layout guidelines are followed.
- <sup>3</sup> Setup times are calculated as applicable clock period - Tdo max. For example, if the DDR is running at 266MHz, it uses a 133MHz input clock. The period for a 133MHz clock is 7.5ns. If the Tdo max value is 4.5ns, the T<sub>IS</sub> parameter is 7.5ns minus 4.5ns = 3ns. The DDR spec for this parameter is 1ns, so there is 2ns of slack left over for board propagation. Calculations for T<sub>DS</sub> are similar, but since this parameter is taken relative to the DDRQStx signals, which are referenced on both edges, the effective period with a 133MHz input clock is only 3.75ns. So, if the max Tdo is 2.7ns, we have 3.75ns minus 2.7ns = 1.05ns for T<sub>DS</sub>. The DDR data sheet specs a value of 0.5ns for 266MHz, so this leaves 0.55ns slack for board propagation delays.

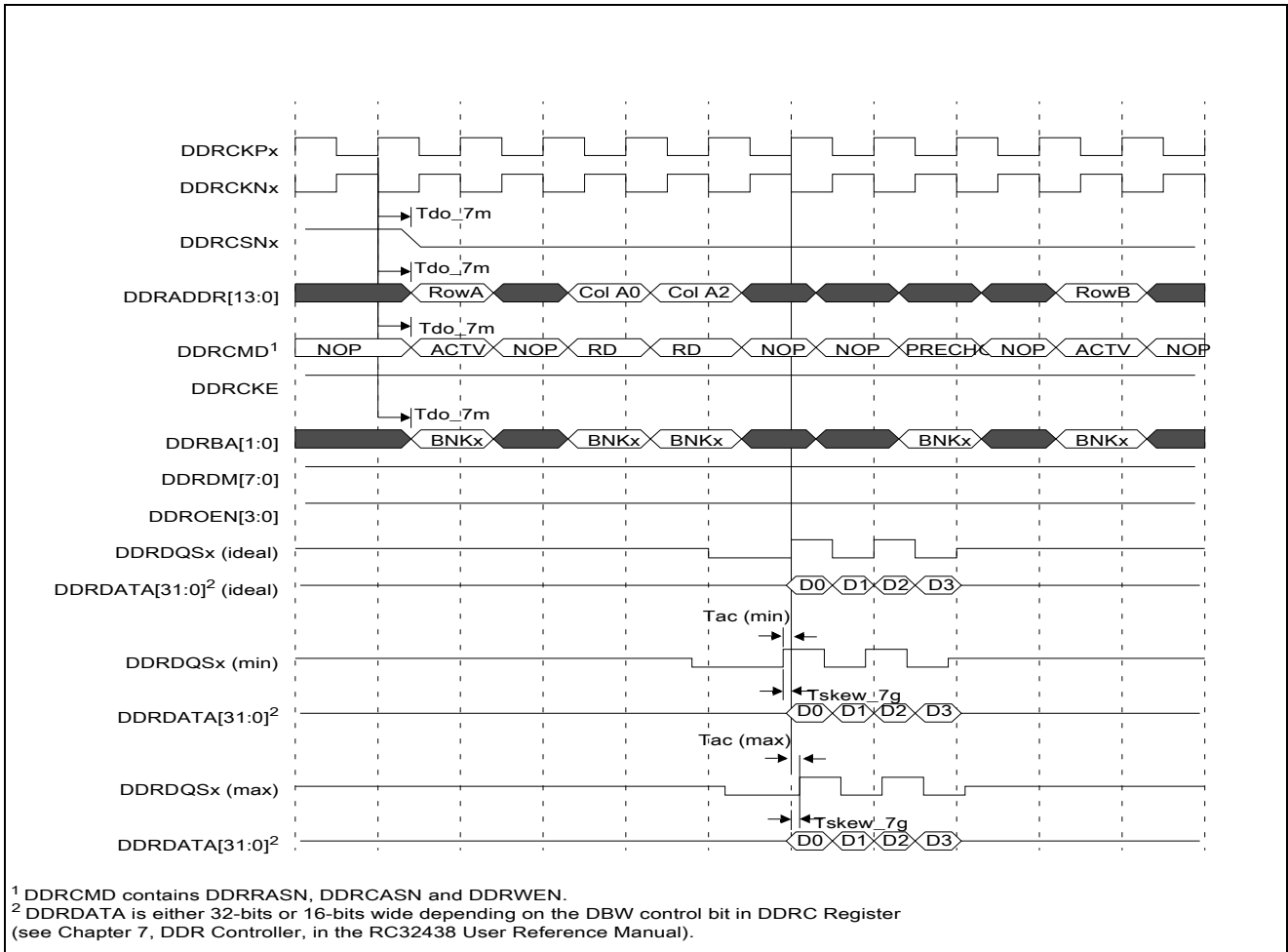


Figure 6 DDR SDRAM AC Timing Waveform - SDRAM Read Access

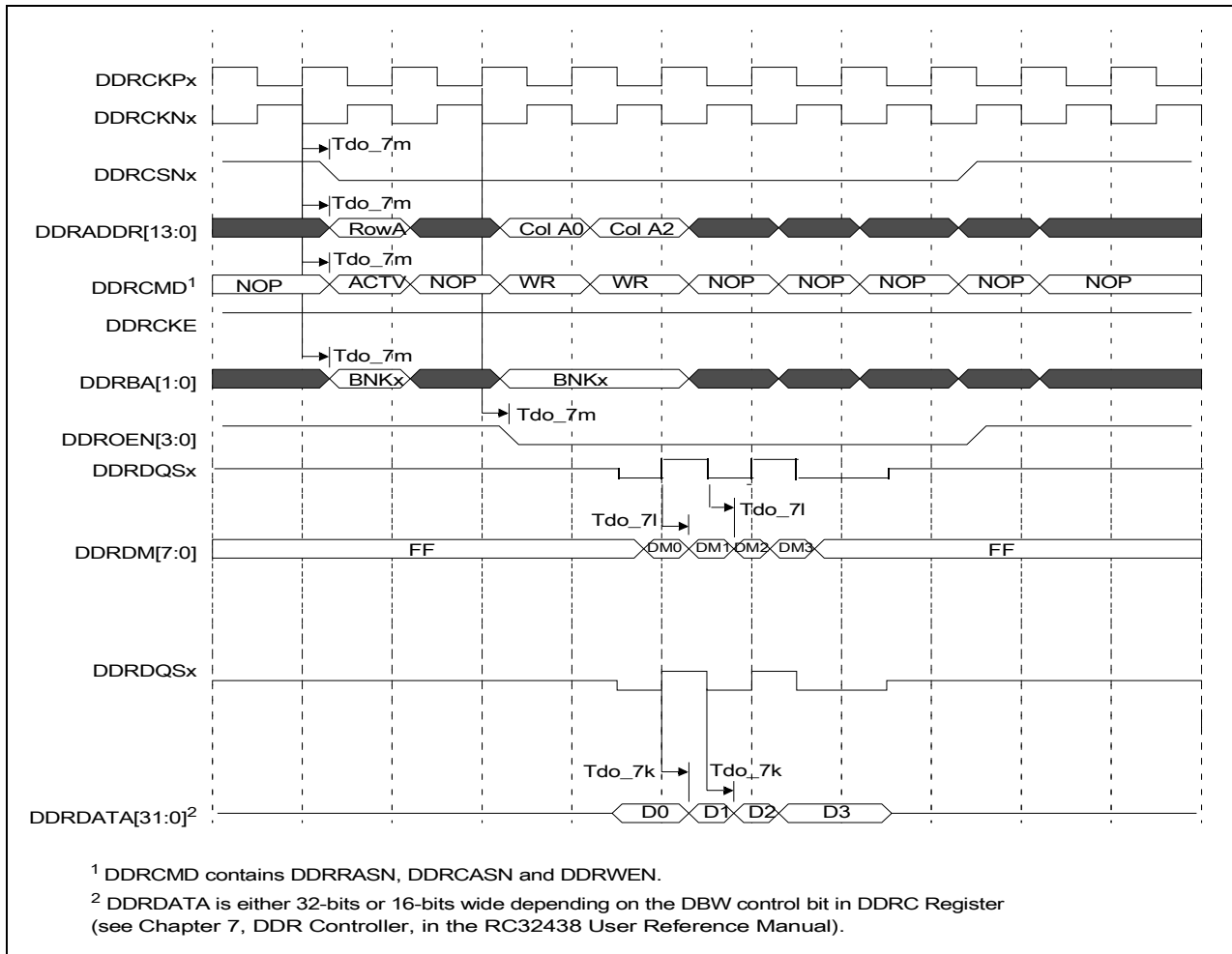


Figure 7 DDR SDRAM Timing Waveform — Write Access

| Signal                                 | Symbol              | Reference Edge | 200MHz |     | 233MHz |     | 266MHz |     | 300MHz |     | Unit | Conditions | Timing Diagram Reference |
|----------------------------------------|---------------------|----------------|--------|-----|--------|-----|--------|-----|--------|-----|------|------------|--------------------------|
|                                        |                     |                | Min    | Max | Min    | Max | Min    | Max | Min    | Max |      |            |                          |
| Memory and Peripheral Bus <sup>1</sup> |                     |                |        |     |        |     |        |     |        |     |      |            | See Figures 8 and 9.     |
| MADDR[21:0]                            | Tdo_8a              | EXTCLK rising  | 0.0    | 5.0 | 0.0    | 5.0 | 0.0    | 5.0 | 0.0    | 5.0 | ns   |            |                          |
|                                        | Tdz_8a <sup>2</sup> |                | 0.0    | 0.1 | 0.0    | 0.1 | 0.0    | 0.1 | 0.0    | 0.1 | ns   |            |                          |
|                                        | Tzd_8a <sup>2</sup> |                | 0.5    | 2.3 | 0.5    | 2.3 | 0.5    | 2.3 | 0.5    | 2.3 | ns   |            |                          |
| MADDR[25:22]                           | Tdo_8b              | EXTCLK rising  | 0.0    | 6.5 | 0.0    | 6.5 | 0.0    | 6.5 | 0.0    | 6.5 | ns   |            |                          |
|                                        | Tdz_8b <sup>2</sup> |                | 0.7    | 1.5 | 0.7    | 1.5 | 0.7    | 1.5 | 0.7    | 1.5 | ns   |            |                          |
|                                        | Tzd_8b <sup>2</sup> |                | 1.2    | 3.3 | 1.2    | 3.3 | 1.2    | 3.3 | 1.2    | 3.3 | ns   |            |                          |

Table 8 Memory and Peripheral Bus AC Timing Characteristics (Part 1 of 3)



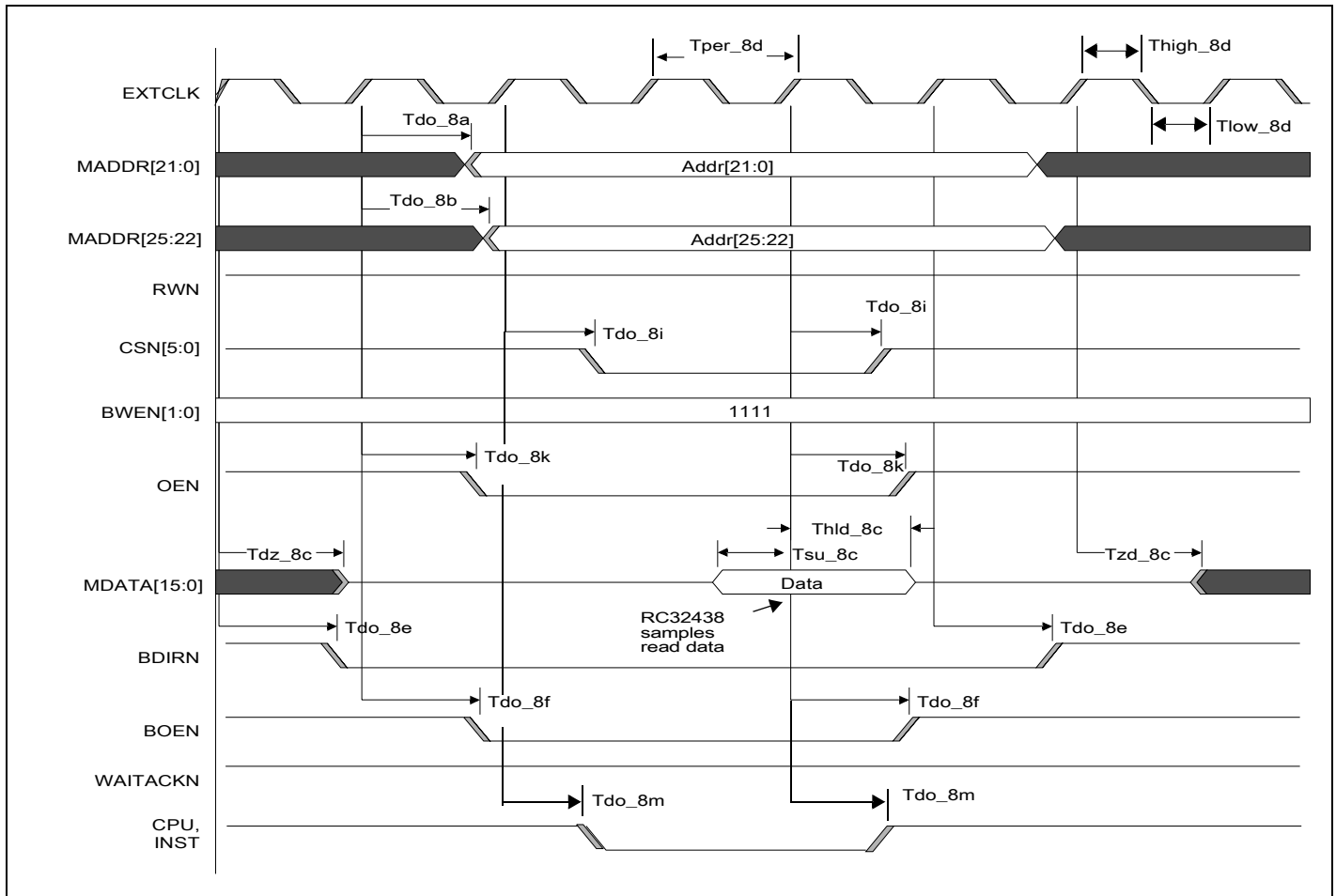
| Signal                | Symbol              | Reference Edge | 200MHz     |      | 233MHz     |      | 266MHz     |      | 300MHz     |      | Unit | Conditions | Timing Diagram Reference    |
|-----------------------|---------------------|----------------|------------|------|------------|------|------------|------|------------|------|------|------------|-----------------------------|
|                       |                     |                | Min        | Max  | Min        | Max  | Min        | Max  | Min        | Max  |      |            |                             |
| MDATA[15:0]           | Tsu_8c              | EXTCLK rising  | 7.0        | —    | 7.0        | —    | 7.0        | —    | 7.0        | —    | ns   |            | See Figures 8 and 9 (cont.) |
|                       | Thld_8c             |                | 0.0        | —    | 0.0        | —    | 0.0        | —    | 0.0        | —    | ns   |            |                             |
|                       | Tdo_8c              |                | 0.0        | 4.0  | 0.0        | 4.0  | 0.0        | 4.0  | 0.0        | 4.0  | ns   |            |                             |
|                       | Tdz_8c <sup>2</sup> |                | 0.0        | 0.1  | 0.0        | 0.1  | 0.0        | 0.1  | 0.0        | 0.1  | ns   |            |                             |
|                       | Tzd_8c <sup>2</sup> |                | 0.5        | 2.2  | 0.5        | 2.2  | 0.5        | 2.2  | 0.5        | 2.2  | ns   |            |                             |
| EXTCLK <sup>3</sup>   | Tper_8d             | none           | 10.0       | —    | 8.33       | —    | 7.5        | —    | 6.66       | —    | ns   |            |                             |
| BDIRN                 | Tdo_8e              | EXTCLK rising  | 1.0        | 4.0  | 1.0        | 4.0  | 1.0        | 4.0  | 1.0        | 4.0  | ns   |            |                             |
|                       | Tdz_8e <sup>2</sup> |                | -1.0       | -0.1 | -1.0       | -0.1 | -1.0       | -0.1 | -1.0       | -0.1 | ns   |            |                             |
|                       | Tzd_8e <sup>2</sup> |                | 0.4        | 1.0  | 0.4        | 1.0  | 0.4        | 1.0  | 0.4        | 1.0  | ns   |            |                             |
| BOEN                  | Tdo_8f              | EXTCLK rising  | 1.0        | 4.0  | 1.0        | 4.0  | 1.0        | 4.0  | 1.0        | 4.0  | ns   |            |                             |
|                       | Tdz_8f <sup>2</sup> |                | 0.1        | 0.4  | 0.1        | 0.4  | 0.1        | 0.4  | 0.1        | 0.4  | ns   |            |                             |
|                       | Tzd_8f <sup>2</sup> |                | 1.1        | 2.0  | 1.1        | 2.0  | 1.1        | 2.0  | 1.1        | 2.0  | ns   |            |                             |
| BRN                   | Tsu_8g              | EXTCLK rising  | 5.5        | —    | 5.5        | —    | 5.5        | —    | 5.5        | —    | ns   |            |                             |
|                       | Thld_8g             |                | 0.0        | —    | 0.0        | —    | 0.0        | —    | 0.0        | —    | ns   |            |                             |
| BGN                   | Tdo_8h              | EXTCLK rising  | 1.0        | 4.0  | 1.0        | 4.0  | 1.0        | 4.0  | 1.0        | 4.0  | ns   |            |                             |
| WAITACKN <sup>4</sup> | Tsu_8h              | EXTCLK rising  | 5.8        | —    | 5.8        | —    | 5.8        | —    | 5.8        | —    | ns   |            |                             |
|                       | Thld_8h             |                | 0.0        | —    | 0.0        | —    | 0.0        | —    | 0.0        | —    | ns   |            |                             |
|                       | Tpw_8h <sup>2</sup> | none           | 2(EXT-CLK) | —    | 2(EXT-CLK) | —    | 2(EXT-CLK) | —    | 2(EXT-CLK) | —    | ns   |            |                             |
| CSN[5:0]              | Tdo_8i              | EXTCLK rising  | 0.0        | 4.0  | 0.0        | 4.0  | 0.0        | 4.0  | 0.0        | 4.0  | ns   |            |                             |
|                       | Tdz_8i <sup>2</sup> |                | 0.1        | 0.4  | 0.1        | 0.4  | 0.1        | 0.4  | 0.1        | 0.4  | ns   |            |                             |
|                       | Tzd_8i <sup>2</sup> |                | 0.6        | 2.2  | 0.6        | 2.2  | 0.6        | 2.2  | 0.6        | 2.2  | ns   |            |                             |
| RWN                   | Tdo_8j              | EXTCLK rising  | 0.0        | 4.0  | 0.0        | 4.0  | 0.0        | 4.0  | 0.0        | 4.0  | ns   |            |                             |
|                       | Tdz_8j <sup>2</sup> |                | -0.7       | 0.1  | -0.7       | 0.1  | -0.7       | 0.1  | -0.7       | 0.1  | ns   |            |                             |
|                       | Tzd_8j <sup>2</sup> |                | 0.6        | 1.1  | 0.6        | 1.1  | 0.6        | 1.1  | 0.6        | 1.1  | ns   |            |                             |
| OEN                   | Tdo_8k              | EXTCLK rising  | 0.0        | 4.0  | 0.0        | 4.0  | 0.0        | 4.0  | 0.0        | 4.0  | ns   |            |                             |
|                       | Tdz_8k <sup>2</sup> |                | -0.4       | 0.2  | -0.4       | 0.2  | -0.4       | 0.2  | -0.4       | 0.2  | ns   |            |                             |
|                       | Tzd_8k <sup>2</sup> |                | 0.8        | 1.5  | 0.8        | 1.5  | 0.8        | 1.5  | 0.8        | 1.5  | ns   |            |                             |
| BWEN[1:0]             | Tdo_8l              | EXTCLK rising  | 0.0        | 4.0  | 0.0        | 4.0  | 0.0        | 4.0  | 0.0        | 4.0  | ns   |            |                             |
|                       | Tdz_8l <sup>2</sup> |                | 0          | 0.2  | 0          | 0.2  | 0          | 0.2  | 0          | 0.2  | ns   |            |                             |
|                       | Tzd_8l <sup>2</sup> |                | 0.8        | 1.7  | 0.8        | 1.7  | 0.8        | 1.7  | 0.8        | 1.7  | ns   |            |                             |

Table 8 Memory and Peripheral Bus AC Timing Characteristics (Part 2 of 3)

| Signal        | Symbol              | Reference Edge | 200MHz  |      | 233MHz  |      | 266MHz  |      | 300MHz  |      | Unit | Conditions | Timing Diagram Reference |
|---------------|---------------------|----------------|---------|------|---------|------|---------|------|---------|------|------|------------|--------------------------|
|               |                     |                | Min     | Max  | Min     | Max  | Min     | Max  | Min     | Max  |      |            |                          |
| DMAREQN[1:0]  | Tpw_8n <sup>2</sup> | None           | 2(ICLK) | —    | 2(ICLK) | —    | 2(ICLK) | —    | 2(ICLK) | —    | ns   |            | See Figures 10 and 11.   |
| DMADONEN[1:0] | Tsu_8o              | EXTCLK rising  | 6.0     | —    | 6.0     | —    | 6.0     | —    | 6.0     | —    | ns   |            |                          |
|               | Thld_8o             |                | 1.0     | —    | 1.0     | —    | 1.0     | —    | 1.0     | —    | ns   |            |                          |
| DMAFINN[1:0]  | Tdo_8p              | EXTCLK rising  | 1.5     | 6.0  | 1.5     | 6.0  | 1.5     | 6.0  | 1.5     | 6.0  | ns   |            |                          |
| CPU, INST     | Tdo_8m              | EXTCLK rising  | 2.0     | 10.0 | 2.0     | 10.0 | 2.0     | 10.0 | 2.0     | 10.0 | ns   |            | See Figures 8 and 9.     |

**Table 8 Memory and Peripheral Bus AC Timing Characteristics (Part 3 of 3)**

- <sup>1</sup> The RC32438 provides bus turnaround cycles to prevent bus contention when going from a read to write, write to read, and during external bus ownership. For example, there are no cycles where an external device and the RC32438 are both driving. See Chapter 6, Device Controller, in the RC32438 User Reference Manual.
- <sup>2</sup> The values for this symbol were determined by calculation, not by testing.
- <sup>3</sup> The frequency of EXTCLK is programmable. See the External Clock Divider description in Table 3 of this data sheet.
- <sup>4</sup> WAITACKN must meet the setup and hold times if it is synchronous or the minimum pulse width if it is asynchronous.



**Figure 8 Memory and Peripheral Bus AC Timing Waveform — Read Access**

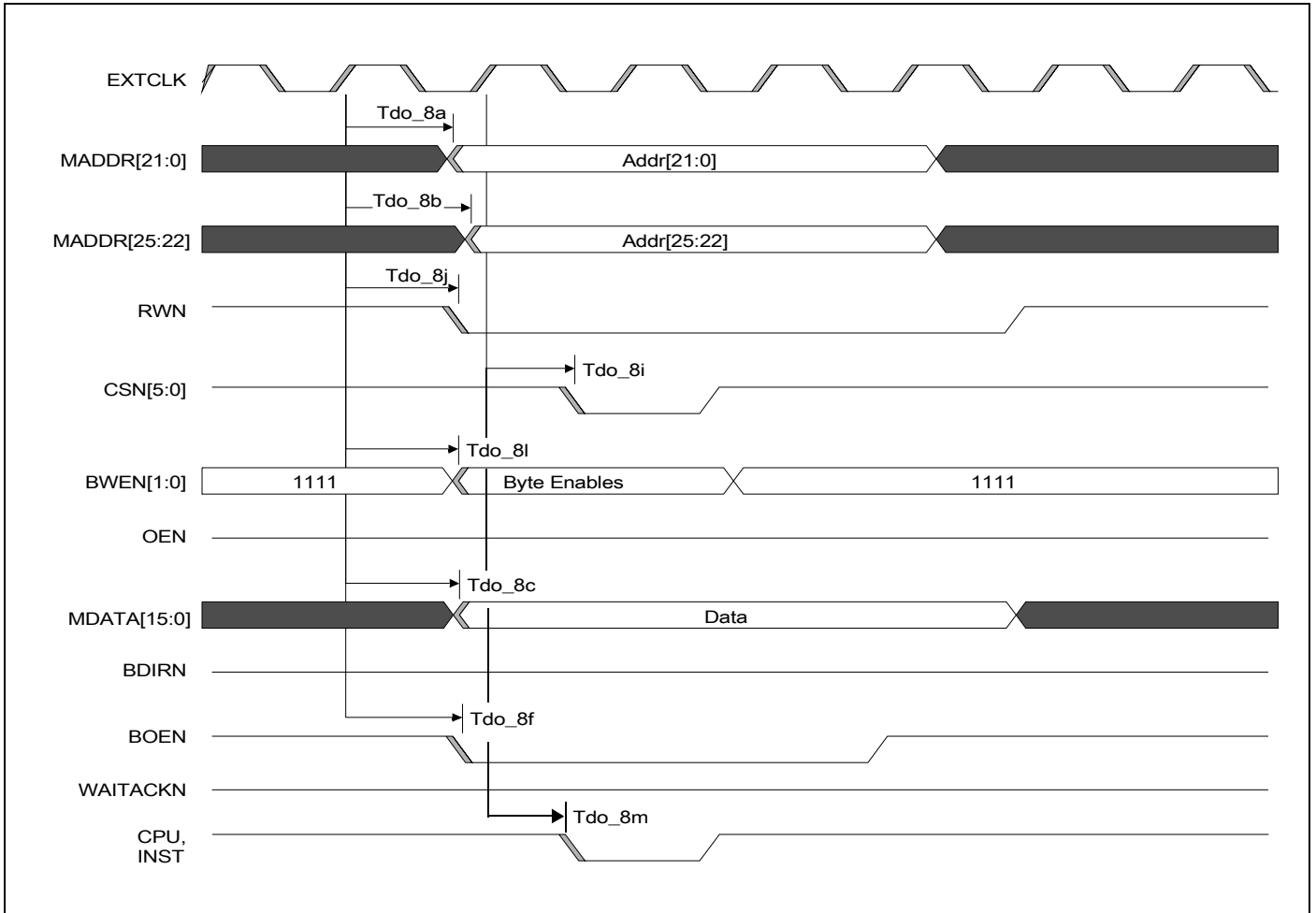


Figure 9 Memory and Peripheral Bus AC Timing Waveform — Write Access

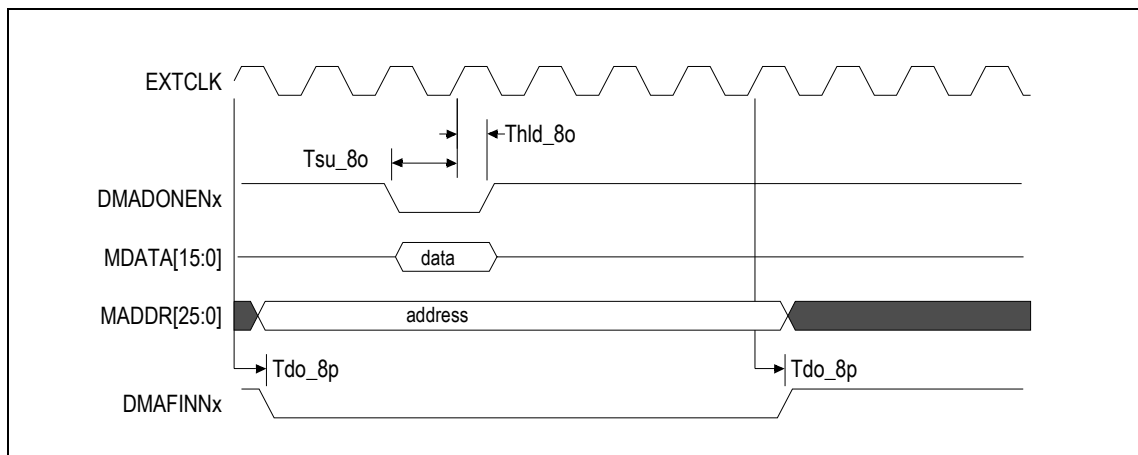


Figure 10 DMADONEN and DMAFINNx AC Timing Waveform

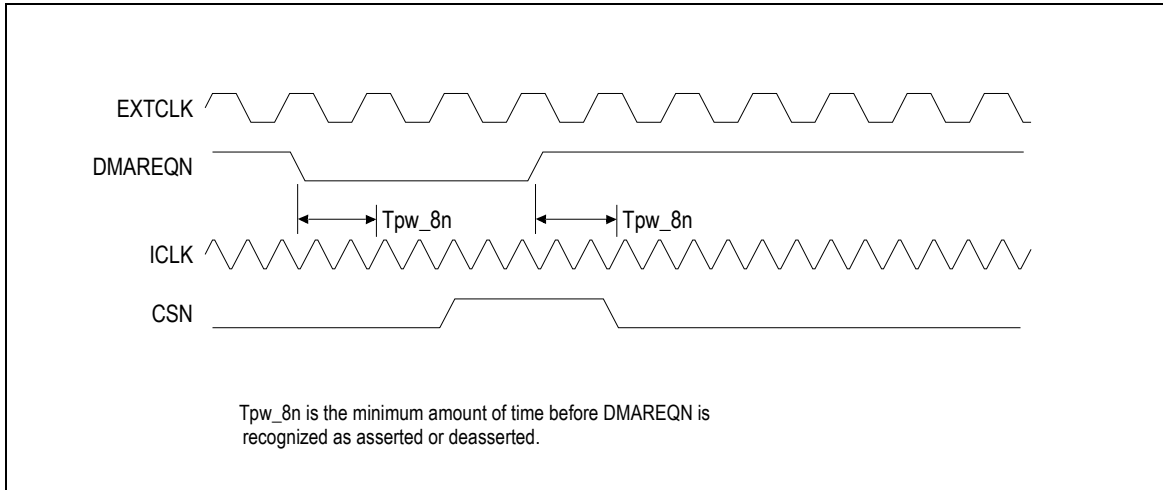


Figure 11 DMAREQN AC Timing Waveform

| Signal                        | Symbol              | Reference Edge | 200MHz |       | 233MHz |       | 266MHz |       | 300MHz |       | Unit | Conditions     | Timing Diagram Reference |
|-------------------------------|---------------------|----------------|--------|-------|--------|-------|--------|-------|--------|-------|------|----------------|--------------------------|
|                               |                     |                | Min    | Max   | Min    | Max   | Min    | Max   | Min    | Max   |      |                |                          |
| Ethernet <sup>1</sup>         |                     |                |        |       |        |       |        |       |        |       |      |                |                          |
| MIIMDC                        | Tper_9a             | None           | 40.0   | —     | 33.3   | —     | 30.0   | —     | 30.0   | —     | ns   | See Figure 12. |                          |
|                               | Thigh_9a, Tlow_9a   |                | 16.0   | —     | 13.0   | —     | 12.0   | —     | 12.0   | —     | ns   |                |                          |
| MIIMDIO                       | Tsu_9b              | MIIMDC rising  | 10.0   | —     | 10.0   | —     | 10.0   | —     | 10.0   | —     | ns   |                |                          |
|                               | Thld_9b             |                | 0.0    | —     | 0.0    | —     | 0.0    | —     | 0.0    | —     | ns   |                |                          |
|                               | Tdo_9b <sup>2</sup> |                | 10     | 300   | 10     | 300   | 10     | 300   | 10     | 300   | ns   |                |                          |
| MIIXCLK, MIIXCLK <sup>3</sup> | Tper_9c             | None           | 399.96 | 400.4 | 399.96 | 400.4 | 399.96 | 400.4 | 399.96 | 400.4 | ns   |                | 10 Mbps                  |
|                               | Thigh_9c, Tlow_9c   |                | 140    | 260   | 140    | 260   | 140    | 260   | 140    | 260   | ns   |                |                          |
|                               | Trise_9c, Tfall_9c  |                | —      | 3.0   | —      | 3.0   | —      | 3.0   | —      | 3.0   | ns   |                |                          |
| MIIXCLK, MIIXCLK <sup>3</sup> | Tper_9d             | None           | 39.9   | 40.0  | 39.9   | 40.0  | 39.9   | 40.0  | 39.9   | 40.0  | ns   | 100 Mbps       |                          |
|                               | Thigh_9d, Tlow_9d   |                | 14.0   | 26.0  | 14.0   | 26.0  | 14.0   | 26.0  | 14.0   | 26.0  | ns   |                |                          |
|                               | Trise_9d, Tfall_9d  |                | —      | 2.0   | —      | 2.0   | —      | 2.0   | —      | 2.0   | ns   |                |                          |
| MIIXD[3:0], MIIXDV, MIIXER    | Tsu_9e              | MIIXCLK rising | 10.0   | —     | 10.0   | —     | 10.0   | —     | 10.0   | —     | ns   |                |                          |
|                               | Thld_9e             |                | 10.0   | —     | 10.0   | —     | 10.0   | —     | 10.0   | —     | ns   |                |                          |
| MIIXD[3:0], MIIXENP, MIIXER   | Tdo_9f              | MIIXCLK rising | 0.0    | 25.0  | 0.0    | 25.0  | 0.0    | 25.0  | 0.0    | 25.0  | ns   |                |                          |

Table 9 Ethernet AC Timing Characteristics

<sup>1</sup> There are two MII interfaces and the timing is the same for each. "X" represents interface 0 or 1.

<sup>2</sup> The values for this symbol were determined by calculation, not by testing.

<sup>3</sup> The ethernet clock (MIIxRXCLK and MIIxTXCLK) frequency must be equal to or less than 1/2 ICLK (MIIxRXCLK and MIIxTXCLK <= 1/2(ICLK)).

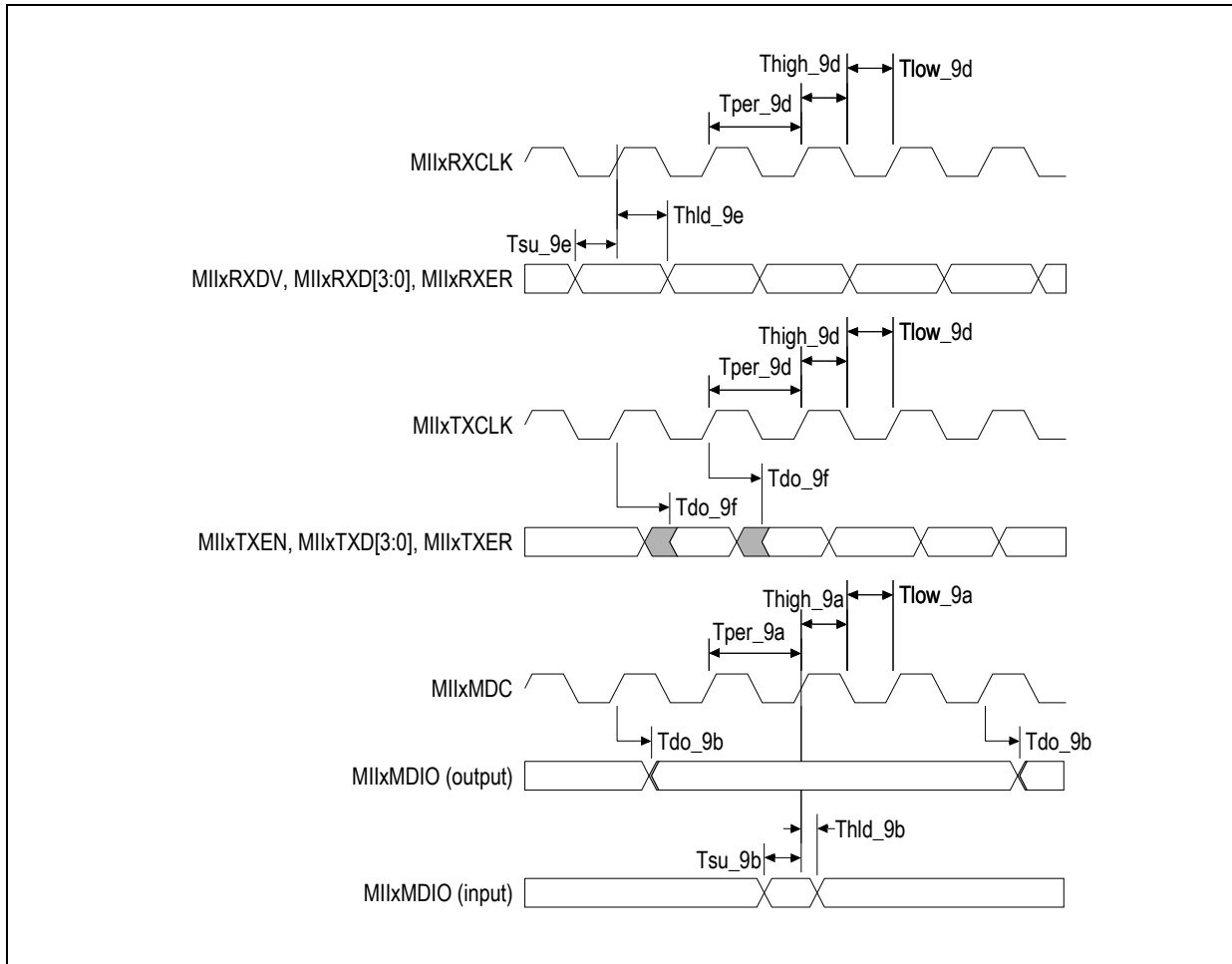


Figure 12 Ethernet AC Timing Waveform

| Signal                                                                                                                      | Symbol               | Reference Edge  | 200MHz     |      | 233MHz     |      | 266MHz     |      | 300MHz     |      | Unit | Conditions | Timing Diagram Reference |
|-----------------------------------------------------------------------------------------------------------------------------|----------------------|-----------------|------------|------|------------|------|------------|------|------------|------|------|------------|--------------------------|
|                                                                                                                             |                      |                 | Min        | Max  | Min        | Max  | Min        | Max  | Min        | Max  |      |            |                          |
| PCI <sup>1</sup>                                                                                                            |                      |                 |            |      |            |      |            |      |            |      |      |            |                          |
| PCICLK <sup>2</sup>                                                                                                         | Tper_10a             | none            | 15.0       | 30.0 | 15.0       | 30.0 | 15.0       | 30.0 | 15.0       | 30.0 | ns   | 66 MHz PCI | See Figure 13.           |
|                                                                                                                             | Thigh_10a, Tlow_10a  |                 | 6.0        | —    | 6.0        | —    | 6.0        | —    | 6.0        | —    | ns   |            |                          |
|                                                                                                                             | Tslew_10a            |                 | 1.5        | 4.0  | 1.5        | 4.0  | 1.5        | 4.0  | 1.5        | 4.0  | V/ns |            |                          |
| PCIAD[31:0],<br>PCIBEN[3:0],<br>PCIDEVSELN,<br>PCIFRAMEN,PCIIRDYN,<br>PCILOCKN,<br>PCIPAR, PCI-PERRN,<br>PCIS-TOPN, PCITRDY | Tsu_10b              | PCICLK rising   | 3.0        | —    | 3.0        | —    | 3.0        | —    | 3.0        | —    | ns   |            | See Figure 13 (cont.)    |
|                                                                                                                             | Thld_10b             |                 | 0          | —    | 0          | —    | 0          | —    | 0          | —    | ns   |            |                          |
|                                                                                                                             | Tdo_10b              |                 | 2.0        | 6.0  | 2.0        | 6.0  | 2.0        | 6.0  | 2.0        | 6.0  | ns   |            |                          |
|                                                                                                                             | Tdz_10b <sup>3</sup> |                 | —          | 14.0 | —          | 14.0 | —          | 14.0 | —          | 14.0 | ns   |            |                          |
| PCIGNTN[3:0],<br>PCIREQN[3:0]                                                                                               | Tsu_10c              | PCICLK rising   | 5.0        | —    | 5.0        | —    | 5.0        | —    | 5.0        | —    | ns   |            |                          |
|                                                                                                                             | Thld_10c             |                 | 0          | —    | 0          | —    | 0          | —    | 0          | —    | ns   |            |                          |
|                                                                                                                             | Tdo_10c              |                 | 2.0        | 6.0  | 2.0        | 6.0  | 2.0        | 6.0  | 2.0        | 6.0  | ns   |            |                          |
| PCIRSTN (output) <sup>4</sup>                                                                                               | Tpw_10d <sup>3</sup> | None            | 4000 (CLK) | —    | 4000 (CLK) | —    | 4000 (CLK) | —    | 4000 (CLK) | —    | ns   |            | See Figures 15 and 16    |
| PCIRSTN (input) <sup>4,5</sup>                                                                                              | Tpw_10e <sup>3</sup> | None            | 2(CLK)     | —    | 2(CLK)     | —    | 2(CLK)     | —    | 2(CLK)     | —    | ns   |            |                          |
|                                                                                                                             | Tdz_10e <sup>3</sup> | PCIRSTN falling | 6(CLK)     | —    | 6(CLK)     | —    | 6(CLK)     | —    | 6(CLK)     | —    | ns   |            |                          |
| PCISERRN <sup>6</sup>                                                                                                       | Tsu_10f              | PCICLK rising   | 3.0        | —    | 3.0        | —    | 3.0        | —    | 3.0        | —    | ns   |            | See Figure 13            |
|                                                                                                                             | Thld_10f             |                 | 0          | —    | 0          | —    | 0          | —    | 0          | —    | ns   |            |                          |
|                                                                                                                             | Tdo_10f              |                 | 2.0        | 6.0  | 2.0        | 6.0  | 2.0        | 6.0  | 2.0        | 6.0  | ns   |            |                          |
| PCIMUJNTN <sup>6</sup>                                                                                                      | Tdo_10g              | PCICLK rising   | 4.7        | 11.1 | 4.7        | 11.1 | 4.7        | 11.1 | 4.7        | 11.1 | ns   |            |                          |

Table 10 PCI AC Timing Characteristics

<sup>1</sup> This PCI interface conforms to the PCI Local Bus Specification, Rev 2.2.

<sup>2</sup> PCICLK must be equal to or less than two times ICLK ( $PCICLK \leq 2(ICLK)$ ) with a maximum PCICLK of 66MHz.

<sup>3</sup> The values for this symbol were determined by calculation, not by testing.

<sup>4</sup> PCIRSTN is an output in host mode and an input in satellite mode.

<sup>5</sup> To meet the PCI delay specification from reset asserted to outputs floating, the PCI reset should be logically combined with the COLDRSTN input, instead of input on PCIRSTN.

<sup>6</sup> PCISERRN and PCIMUJNTN use open collector I/O types.

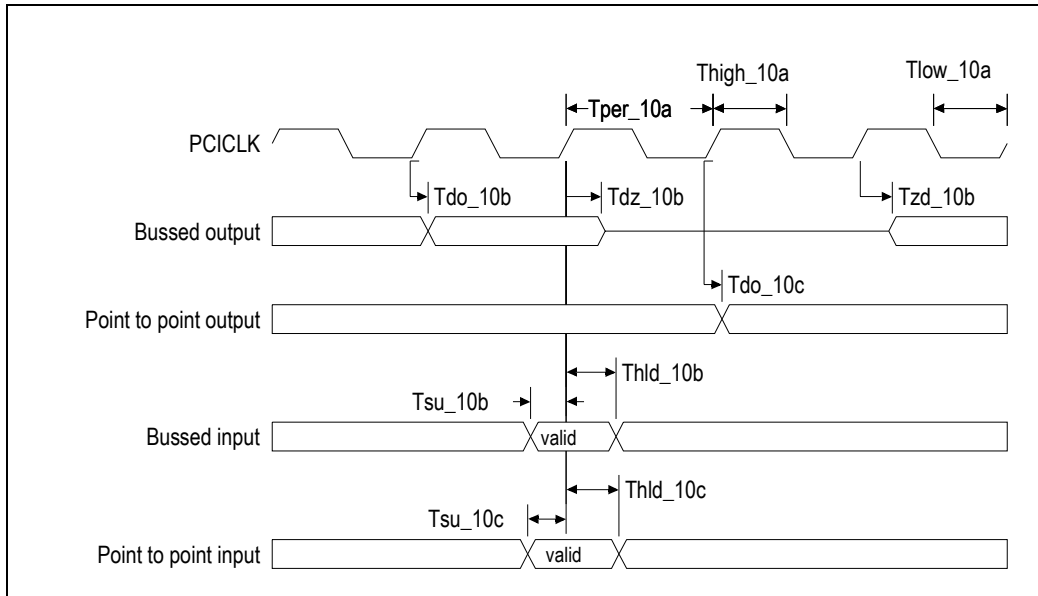


Figure 13 PCI AC Timing Waveform

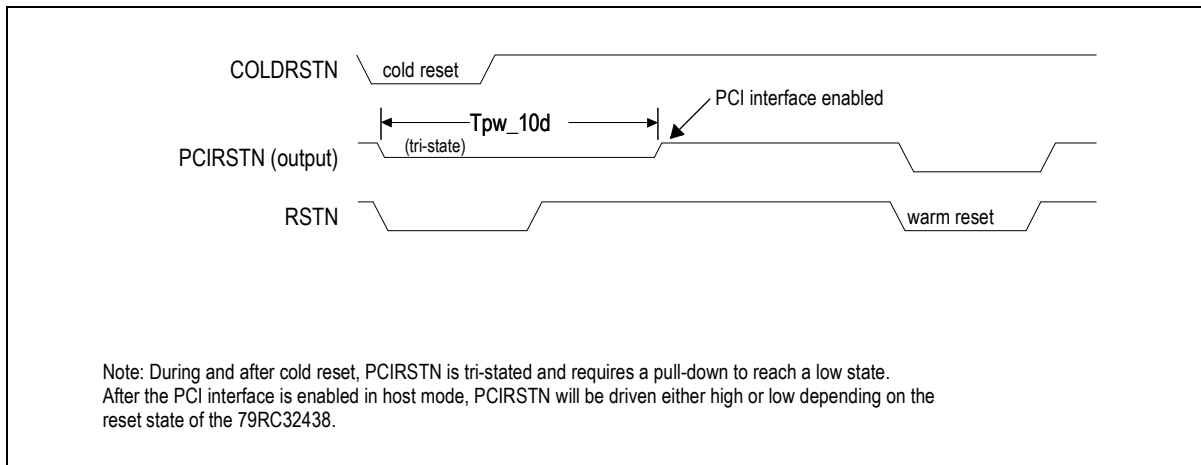


Figure 14 PCI AC Timing Waveform — PCI Reset in Host Mode

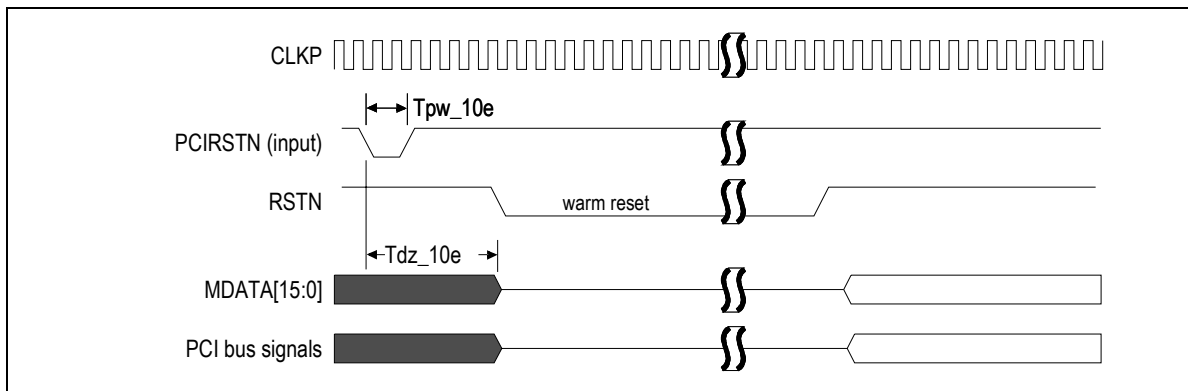


Figure 15 PCI AC Timing Waveform — PCI Reset in Satellite Mode

| Signal                                           | Symbol              | Reference Edge | 200MHz |      | 233MHz |      | 266MHz |      | 300MHz |      | Unit | Conditions | Timing Diagram Reference |
|--------------------------------------------------|---------------------|----------------|--------|------|--------|------|--------|------|--------|------|------|------------|--------------------------|
|                                                  |                     |                | Min    | Max  | Min    | Max  | Min    | Max  | Min    | Max  |      |            |                          |
| <b>I<sup>2</sup>C<sup>1</sup></b>                |                     |                |        |      |        |      |        |      |        |      |      |            |                          |
| SCL                                              | Frequency           | none           | 0      | 100  | 0      | 100  | 0      | 100  | 0      | 100  | kHz  | 100 KHz    | See Figure 16.           |
|                                                  | Thigh_12a, Tlow_12a |                | 4.0    | —    | 4.0    | —    | 4.0    | —    | 4.0    | —    | μs   |            |                          |
|                                                  | Trise_12a           |                | —      | 1000 | —      | 1000 | —      | 1000 | —      | 1000 | ns   |            |                          |
|                                                  | Tfall_12a           |                | —      | 300  | —      | 300  | —      | 300  | —      | 300  | ns   |            |                          |
| SDA                                              | Tsu_12b             | SCL rising     | 250    | —    | 250    | —    | 250    | —    | 250    | —    | ns   |            |                          |
|                                                  | Thld_12b            |                | 0      | 3.45 | 0      | 3.45 | 0      | 3.45 | 0      | 3.45 | μs   |            |                          |
|                                                  | Trise_12b           |                | —      | 1000 | —      | 1000 | —      | 1000 | —      | 1000 | ns   |            |                          |
|                                                  | Tfall_12b           |                | —      | 300  | —      | 300  | —      | 300  | —      | 300  | ns   |            |                          |
| Start or repeated start condition                | Tsu_12c             | SDA falling    | 4.7    | —    | 4.7    | —    | 4.7    | —    | 4.7    | —    | μs   |            |                          |
|                                                  | Thld_12c            |                | 4.0    | —    | 4.0    | —    | 4.0    | —    | 4.0    | —    | μs   |            |                          |
| Stop condition                                   | Tsu_12d             | SDA rising     | 4.0    | —    | 4.0    | —    | 4.0    | —    | 4.0    | —    | μs   |            |                          |
| Bus free time between a stop and start condition | Tdelay_12e          |                | 4.7    | —    | 4.7    | —    | 4.7    | —    | 4.7    | —    | μs   |            |                          |
| SCL                                              | Frequency           | none           | 0      | 400  | 0      | 400  | 0      | 400  | 0      | 400  | kHz  | 400 KHz    |                          |
|                                                  | Thigh_12a, Tlow_12a |                | 0.6    | —    | 0.6    | —    | 0.6    | —    | 0.6    | —    | μs   |            |                          |
|                                                  | Trise_12a           |                | —      | 300  | —      | 300  | —      | 300  | —      | 300  | ns   |            |                          |
|                                                  | Tfall_12a           |                | —      | 300  | —      | 300  | —      | 300  | —      | 300  | ns   |            |                          |
| SDA                                              | Tsu_12b             | SCL rising     | 100    | —    | 100    | —    | 100    | —    | 100    | —    | ns   |            |                          |
|                                                  | Thld_12b            |                | 0      | 0.9  | 0      | 0.9  | 0      | 0.9  | 0      | 0.9  | μs   |            |                          |
|                                                  | Trise_12b           |                | —      | 300  | —      | 300  | —      | 300  | —      | 300  | ns   |            |                          |
|                                                  | Tfall_12ba          |                | —      | 300  | —      | 300  | —      | 300  | —      | 300  | ns   |            |                          |
| Start or repeated start condition                | Tsu_12c             | SDA falling    | 0.6    | —    | 0.6    | —    | 0.6    | —    | 0.6    | —    | μs   |            |                          |
|                                                  | Thld_12c            |                | 0.6    | —    | 0.6    | —    | 0.6    | —    | 0.6    | —    | μs   |            |                          |
| Stop condition                                   | Tsu_12d             | SDA rising     | 0.6    | —    | 0.6    | —    | 0.6    | —    | 0.6    | —    | μs   |            |                          |
| Bus free time between a stop and start condition | Tdelay_12e          |                | 1.3    | —    | 1.3    | —    | 1.3    | —    | 1.3    | —    | μs   |            |                          |

Table 11 I<sup>2</sup>C AC Timing Characteristics

<sup>1</sup>: For more information, see the I<sup>2</sup>C-Bus specification by Philips Semiconductor.



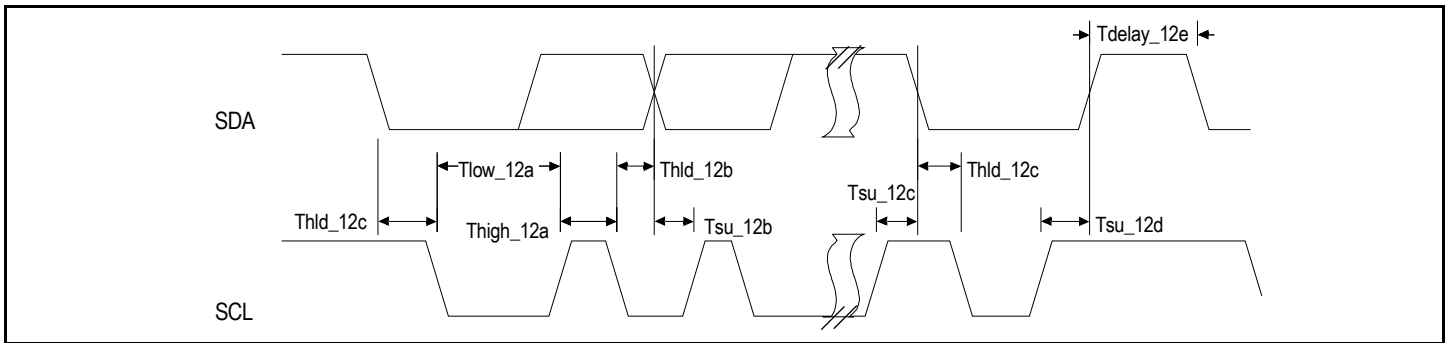


Figure 16 I<sup>2</sup>C AC Timing Waveform

| Signal                  | Symbol               | Reference Edge | 200MHz  |     | 233MHz  |     | 266MHz  |     | 300MHz  |     | Unit | Conditions | Timing Diagram Reference |
|-------------------------|----------------------|----------------|---------|-----|---------|-----|---------|-----|---------|-----|------|------------|--------------------------|
|                         |                      |                | Min     | Max | Min     | Max | Min     | Max | Min     | Max |      |            |                          |
| <b>GPIO</b>             |                      |                |         |     |         |     |         |     |         |     |      |            |                          |
| GPIO[31:0] <sup>1</sup> | Tpw_13b <sup>2</sup> | None           | 2(ICLK) | —   | 2(ICLK) | —   | 2(ICLK) | —   | 2(ICLK) | —   | ns   |            | See Figure 17.           |

Table 12 GPIO AC Timing Characteristics

<sup>1</sup>. GPIO signals must meet the setup and hold times if they are synchronous or the minimum pulse width if they are asynchronous.

<sup>2</sup>. The values for this symbol were determined by calculation, not by testing.

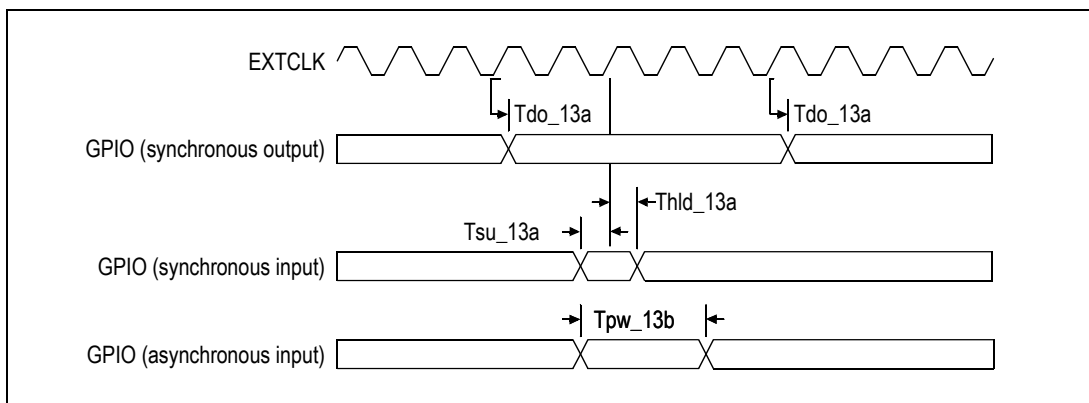


Figure 17 GPIO AC Timing Waveform

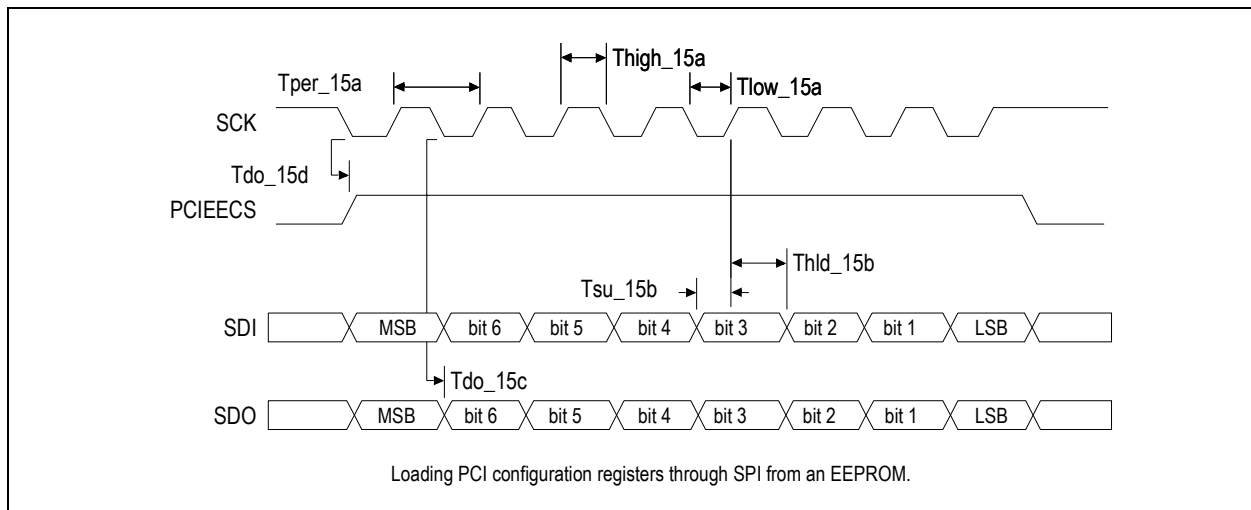
| Signal                     | Symbol              | Reference Edge        | 200MHz  |        | 233MHz  |        | 266MHz  |        | 300MHz  |        | Unit | Conditions | Timing Diagram Reference       |
|----------------------------|---------------------|-----------------------|---------|--------|---------|--------|---------|--------|---------|--------|------|------------|--------------------------------|
|                            |                     |                       | Min     | Max    | Min     | Max    | Min     | Max    | Min     | Max    |      |            |                                |
| <b>SPI<sup>1</sup></b>     |                     |                       |         |        |         |        |         |        |         |        |      |            |                                |
| SCK                        | Tper_15a            | None                  | —       | 1920   | —       | 1920   | —       | 1920   | —       | 1920   | ns   | 33 MHz PCI | See Figures 18, 19, 20 and 21. |
|                            | Tper_15a            |                       | —       | 960    | —       | 960    | —       | 960    | —       | 960    | ns   | 66 MHz PCI |                                |
|                            | Tper_15a            |                       | 100     | 166667 | 100     | 166667 | 100     | 166667 | 100     | 166667 | ns   | SPI        |                                |
|                            | Thigh_15a, Tlow_15a |                       | 930     | 990    | 930     | 990    | 930     | 990    | 930     | 990    | ns   | 33 MHz PCI |                                |
|                            | Thigh_15a, Tlow_15a |                       | 465     | 495    | 465     | 495    | 465     | 495    | 465     | 495    | ns   | 66 MHz PCI |                                |
|                            | Thigh_15a, Tlow_15a |                       | 40      | 83353  | 40      | 83353  | 40      | 83353  | 40      | 83353  | ns   | SPI        |                                |
| SDI                        | Tsu_15b             | SCK rising or falling | 60      | —      | 60      | —      | 60      | —      | 60      | —      | ns   | SPI or PCI |                                |
|                            | Thld_15b            |                       | 60      | —      | 60      | —      | 60      | —      | 60      | —      | ns   |            |                                |
| SDO                        | Tdo_15c             | SCK rising or falling | 0       | 60     | 0       | 60     | 0       | 60     | 0       | 60     | ns   | SPI or PCI |                                |
| PCIEECS <sup>2</sup>       | Tdo_15d             | SCK rising or falling | 0       | 60     | 0       | 60     | 0       | 60     | 0       | 60     | ns   | PCI        |                                |
| SCK, SDI, SDO <sup>3</sup> | Tpw_15e             | None                  | 2(ICLK) | —      | 2(ICLK) | —      | 2(ICLK) | —      | 2(ICLK) | —      | ns   | Bit I/O    |                                |

**Table 13 SPI AC Timing Characteristics**

<sup>1</sup> In SPI mode, the SCK period and sampling edge are programmable. In PCI mode, the SCK period is fixed and the sampling edge is rising.

<sup>2</sup> PCIEECS is the PCI serial EEPROM chip select. It is an alternate function of PCIGNTN[1].

<sup>3</sup> In Bit I/O mode, SCK, SDI, and SDO must meet the setup and hold times if they are synchronous or the minimum pulse width if they are asynchronous.



**Figure 18 SPI AC Timing Waveform — PCI Configurations Load**

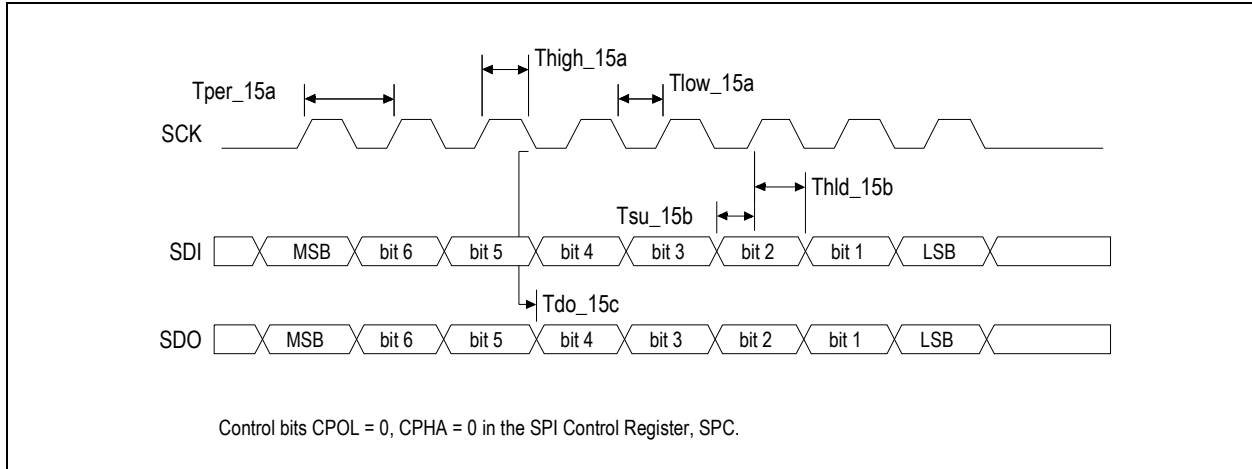


Figure 19 SPI AC Timing Waveform — Clock Polarity 0, Clock Phase 0

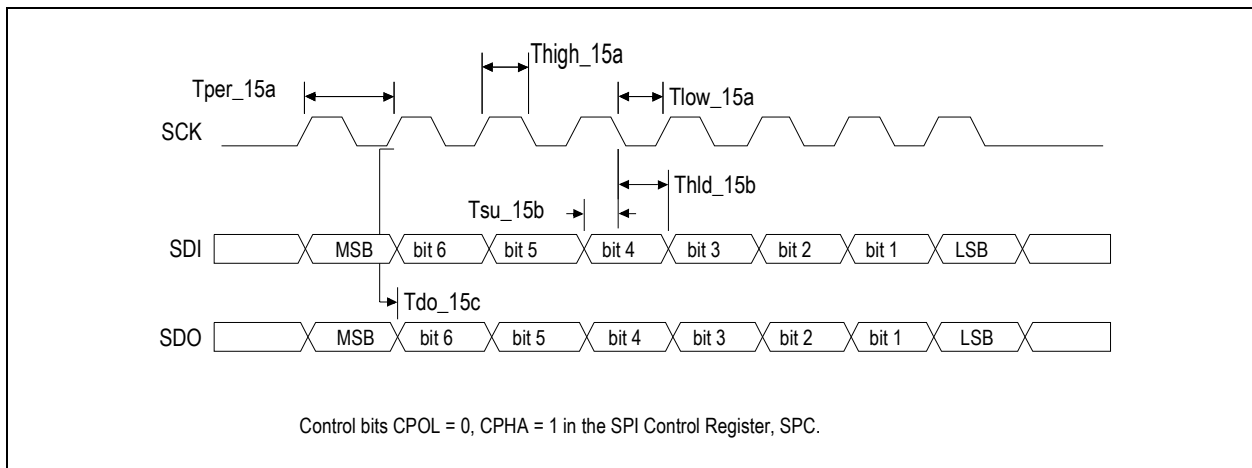


Figure 20 SPI AC Timing Waveform — Clock Polarity 0, Clock Phase 1

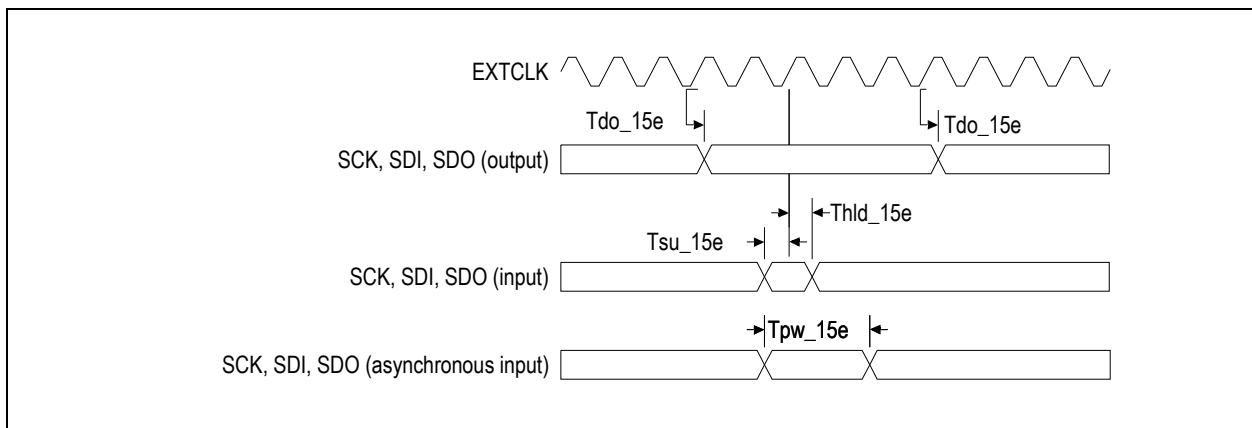


Figure 21 SPI AC Timing Waveform — Bit I/O Mode

| Signal                              | Symbol                 | Reference Edge      | 200MHz |      | 233MHz |      | 266MHz |      | 300MHz |      | Unit | Conditions                                | Timing Diagram Reference |
|-------------------------------------|------------------------|---------------------|--------|------|--------|------|--------|------|--------|------|------|-------------------------------------------|--------------------------|
|                                     |                        |                     | Min    | Max  | Min    | Max  | Min    | Max  | Min    | Max  |      |                                           |                          |
| <b>EJTAG and JTAG</b>               |                        |                     |        |      |        |      |        |      |        |      |      |                                           |                          |
| JTAG_TCK                            | Tper_16a               | none                | 25.0   | 50.0 | 25.0   | 50.0 | 25.0   | 50.0 | 25.0   | 50.0 | ns   |                                           | See Figure 22.           |
|                                     | Thigh_16a,<br>Tlow_16a |                     | 10.0   | 25.0 | 10.0   | 25.0 | 10.0   | 25.0 | 10.0   | 25.0 | ns   |                                           |                          |
| JTAG_TMS <sup>1</sup> ,<br>JTAG_TDI | Tsu_16b                | JTAG_TCK<br>rising  | 2.4    | —    | 2.4    | —    | 2.4    | —    | 2.4    | —    | ns   |                                           |                          |
|                                     | Thld_16b               |                     | 1.0    | —    | 1.0    | —    | 1.0    | —    | 1.0    | —    | ns   |                                           |                          |
| JTAG_TDO                            | Tdo_16c                | JTAG_TCK<br>falling | —      | 11.3 | —      | 11.3 | —      | 11.3 | —      | 11.3 | ns   |                                           |                          |
|                                     | Tdz_16c <sup>2</sup>   |                     | —      | 11.3 | —      | 11.3 | —      | 11.3 | —      | 11.3 | ns   |                                           |                          |
| JTAG_TRST_N                         | Tpw_16d <sup>2</sup>   | none                | 25.0   | —    | 25.0   | —    | 25.0   | —    | 25.0   | —    | ns   |                                           |                          |
| EJTAG_TMS <sup>1</sup>              | Tsu_16e                | JTAG_TCK<br>rising  | 2.0    | —    | 2.0    | —    | 2.0    | —    | 2.0    | —    | ns   |                                           |                          |
|                                     | Thld_6e                |                     | 1.0    | —    | 1.0    | —    | 1.0    | —    | 1.0    | —    | ns   |                                           |                          |
| VSENSE                              | Trise_16f              | none                | —      | 2    | —      | 2    | —      | 2    | —      | 2    | sec  | Measured from 0.5V (T <sub>active</sub> ) |                          |

Table 14 JTAG AC Timing Characteristics

<sup>1</sup> The JTAG specification, IEEE 1149.1, recommends that both JTAG\_TMS and EJTAG\_TMS should be held at 1 while the signal applied at JTAG\_TRST\_N changes from 0 to 1. Otherwise, a race may occur if JTAG\_TRST\_N is deasserted (going from low to high) on a rising edge of JTAG\_TCK when either JTAG\_TMS or EJTAG\_TMS is low, because the TAP controller might go to either the Run-Test/Idle state or stay in the Test-Logic-Reset state.

<sup>2</sup> The values for this symbol were determined by calculation, not by testing.

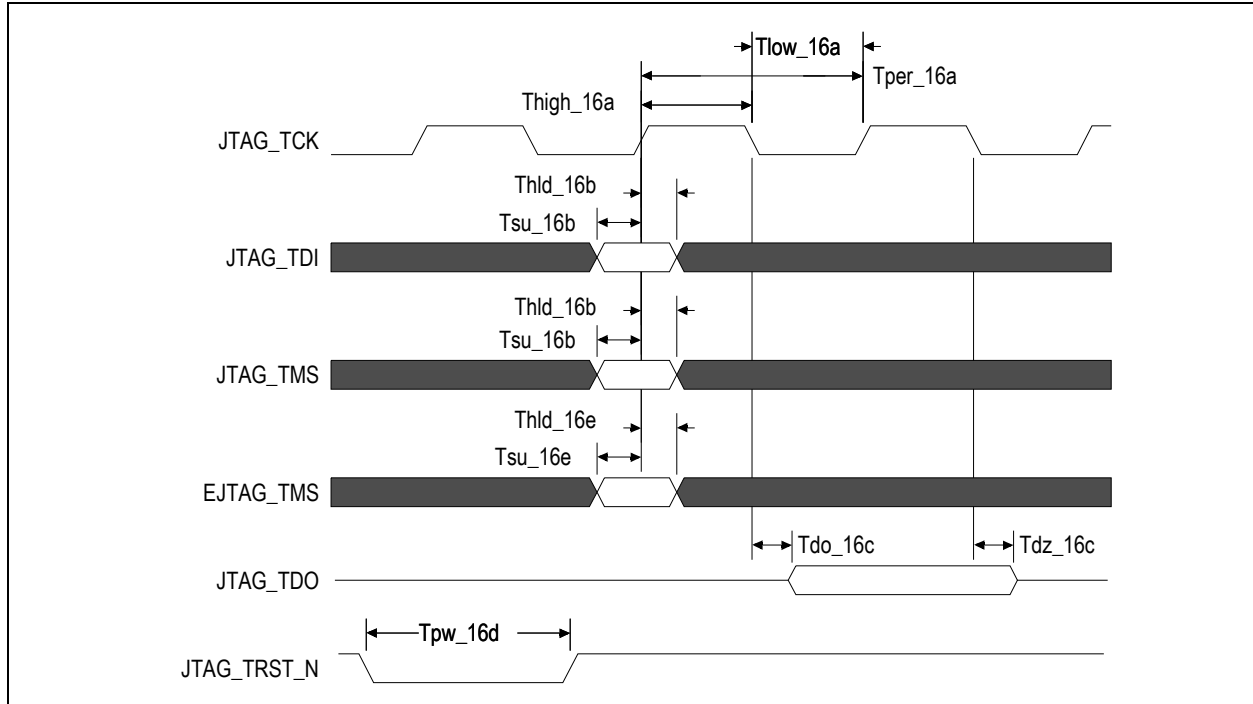


Figure 22 JTAG AC Timing Waveform

The IEEE 1149.1 specification requires that the JTAG and EJTAG TAP controllers be reset at power-up whether or not the interfaces are used for a boundary scan or a probe. Reset can occur through a pull-down resistor on JTAG\_TRST\_N if the probe is not connected. However, on-chip pull-up resistors are implemented on the RC32438 due to an IEEE 1149.1 requirement. Having on-chip pull-up and external pull-down resistors for the JTAG\_TRST\_N signal requires special care in the design to ensure that a valid logical level is provided to JTAG\_TRST\_N, such as using a small external pull-down resistor to ensure this level overrides the on-chip pull-up. An alternative is to use an active power-up reset circuit for JTAG\_TRST\_N, which drives JTAG\_TRST\_N low only at power-up and then holds JTAG\_TRST\_N high afterwards with a pull-up resistor.

Figure 23 shows the electrical connection of the EJTAG probe target system connector.

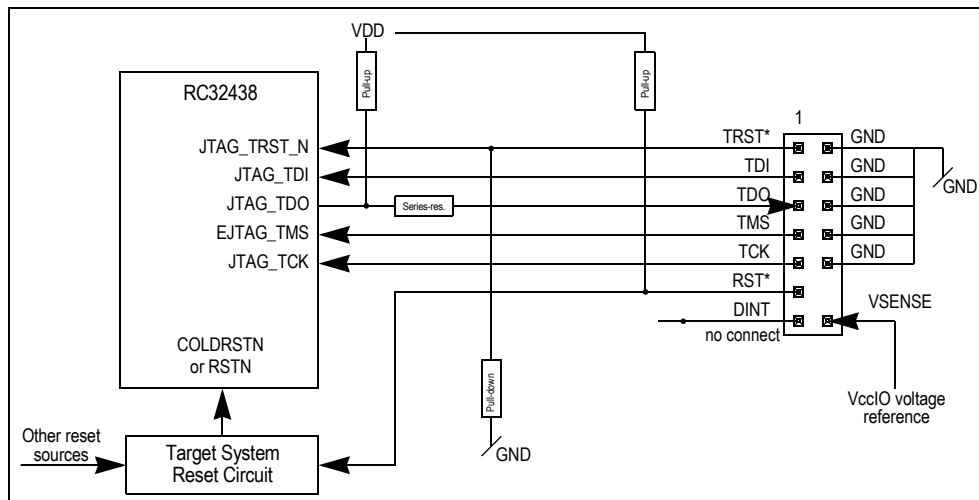


Figure 23 Target System Electrical EJTAG Connection

## Using the EJTAG Probe

In Figure 23, the pull-up resistors for JTAG\_TDO and RST\*, the pull-down resistor for JTAG\_TRST\_N, and the series resistor for JTAG\_TDO must be adjusted to the specific design. However, the recommended pull-up/down resistor is 1.0 k $\Omega$  because a low value reduces crosstalk on the cable to the connector, allowing higher JTAG\_TCK frequencies. A typical value for the series resistor is 33  $\Omega$ . Recommended resistor values have  $\pm 5\%$  tolerance.

If a probe is used, the pull-up resistor on JTAG\_TDO must ensure that the JTAG\_TDO level is high when no probe is connected and the JTAG\_TDO output is tri-stated. This requirement allows reliable connection of the probe if it is hooked-up when the power is already on (hot plug). The pull-up resistor value of around 47 k $\Omega$  should be sufficient. Optional diodes to protect against overshoot and undershoot voltage can be added on the signals of the chip with EJTAG.

If a probe is used, the RST\* signal must have a pull-up resistor because it is controlled by an open-collector (OC) driver in the probe, and thus is actively pulled low only. The pull-up resistor is responsible for the high value when not driven by the probe of 25pF. The input on the target system reset circuit must be able to accept the rise time when the pull-up resistor charges the capacitance to a high logical level. Vcc I/O must connect to a voltage reference that drops rapidly to below 0.5V when the target system loses power, even with a capacitive load of 25pF. The probe can thus detect the lost power condition.

For additional information on EJTAG, refer to Chapter 20 of the RC32438 User Reference Manual.

## Voltage Sense Signal Timing

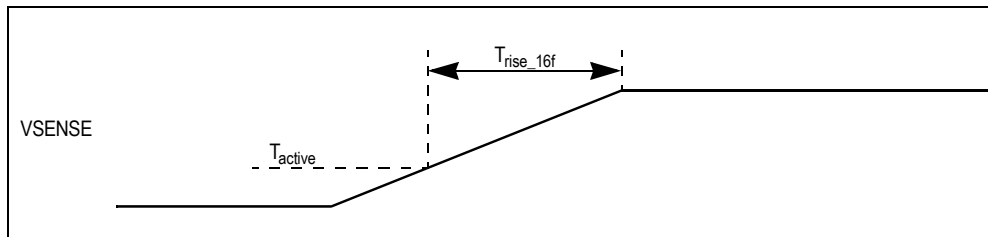


Figure 24 Voltage Sense Signal Timing

The target system must ensure that  $T_{rise}$  is obeyed after the system reaches 0.5V ( $T_{active}$ ), so the probe can use this value to determine when the target has powered-up. The probe is allowed to measure the  $T_{rise}$  time from a higher value than  $T_{active}$  (but lower than Vcc I/O minimum) because the stable indication in this case comes later than the time when target power is guaranteed to be stable. If JTAG\_TRST\_N is asserted by a pulse at power-up, this reset must be completed after  $T_{rise}$ . If JTAG\_TRST\_N is asserted by a pull-down resistor, the probe will control JTAG\_TRST\_N. At power-down, no power is indicated to the probe when Vcc I/O drops under the  $T_{active}$  value, which the probe uses to stop driving the input signals, except for the probe RST\*.

## Phase-Locked Loop (PLL)

The phase-locked loop (PLL) multiplies the external oscillator input (pin CLK) according to the parameter provided by the boot configuration vector to create the processor clock (PCLK). Inherently, PLL circuits are only capable of generating clock frequencies within a limited range.

### PLL Filters

It is recommended that the system designer provide a filter network of passive components for the PLL analog and digital power supplies.

The PLL circuit power and PLL circuit ground should be isolated from power and ground with a filter circuit such as the one shown in Figure 25.

Because the optimum values for the filter components depend upon the application and the system noise environment, these values should be considered as starting points for further experimentation within your specific application.

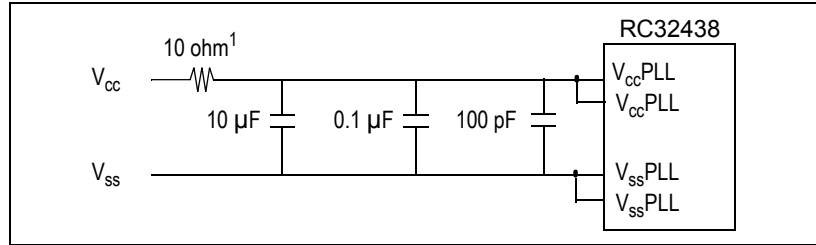


Figure 25 PLL Filter Circuit for Noisy Environments

## Recommended Operating Supply Voltages

| Symbol          | Parameter                                 | Clock Speed    | Minimum              | Typical              | Maximum              | Unit |
|-----------------|-------------------------------------------|----------------|----------------------|----------------------|----------------------|------|
| $V_{ss}$        | Common ground                             | All speeds     | 0                    | 0                    | 0                    | V    |
| $V_{ss}^{PLL}$  | PLL ground                                |                |                      |                      |                      |      |
| $V_{cc}^{I/O}$  | I/O supply except for SSTL_2 <sup>1</sup> |                | 3.0                  | 3.3                  | 3.6                  | V    |
| $V_{cc}^{SI/O}$ | I/O supply for SSTL_2 <sup>1</sup>        |                | 2.3                  | 2.5                  | 2.7                  | V    |
| $V_{cc}^{PLL}$  | PLL supply                                | 200MHz, 233MHz | 1.1                  | 1.2                  | 1.3                  | V    |
|                 |                                           | 266MHz, 300MHz | 1.2                  | 1.3                  | 1.4                  | V    |
| $V_{cc}^{Core}$ | Internal logic supply                     | 200MHz, 233MHz | 1.1                  | 1.2                  | 1.3                  | V    |
|                 |                                           | 266MHz, 300MHz | 1.2                  | 1.3                  | 1.4                  | V    |
| $DDRREF^2$      | SSTL_2 input reference voltage            | All speeds     | $0.5(V_{cc}^{SI/O})$ | $0.5(V_{cc}^{SI/O})$ | $0.5(V_{cc}^{SI/O})$ | V    |
| $V_{TT}^3$      | SSTL_2 termination voltage                |                | $DDRREF - 0.04$      | DDRREF               | $DDRREF + 0.04$      | V    |

Table 15 RC32438 Operating Voltages

<sup>1</sup> SSTL\_2 I/Os are used to connect to DDR SDRAM.

<sup>2</sup> Peak-to-peak AC noise on DDRVREF may not exceed  $\pm 2\%$  DDRVREF (DC).

<sup>3</sup>  $V_{TT}$  of the SSTL\_2 transmitting device must track DDRVREF of the receiving device.

## Recommended Operating Temperatures

| Grade      | Temperature            |
|------------|------------------------|
| Commercial | 0°C to +70°C Ambient   |
| Industrial | -40°C to +85°C Ambient |

Table 16 RC32438 Operating Temperatures

## Capacitive Load Deration

Refer to the [79RC32438 IBIS Model](#) on the IDT web site ([www.idt.com](http://www.idt.com)).

## Power-on Sequence

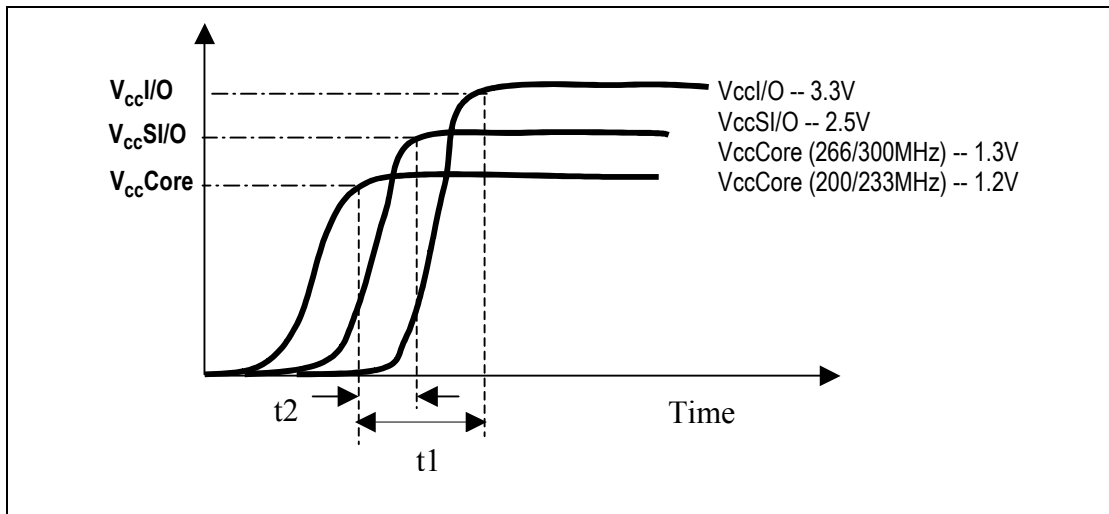
Three power-on sequences are given below. Sequence #1 is recommended because it will prevent I/O conflicts and will also allow the input signals to propagate when the I/O powers are brought up.

**Note:** The ESD diodes may be damaged if one of the voltages is applied and one of the other voltages is at a ground level.

### A. Recommended Sequence

$t_2 > 0$  whenever possible ( $V_{ccCore}$ )

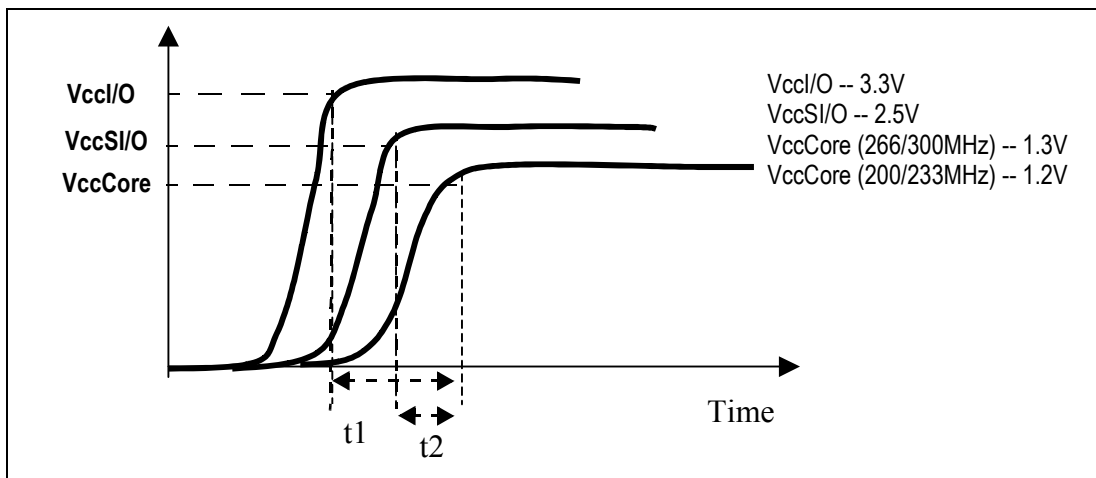
$t_1 - t_2$  can be 0 ( $V_{ccSI/O}$  followed by  $V_{ccI/O}$ )



### B. Reverse Voltage Sequence

If sequence A is not feasible, then Sequence B can be used:

$t_1 < 50ms$  and  $t_2 < 50ms$  to prevent damage.



### C. Simultaneous Power-up

V<sub>ccI/O</sub>, V<sub>ccSI/O</sub>, and V<sub>ccCore</sub> can be powered up simultaneously.



## Power Consumption

| Parameter                      | 200MHz |      | 233MHz |      | 266MHz |      | 300MHz |      | Unit | Conditions                                                                                                                                                                   |
|--------------------------------|--------|------|--------|------|--------|------|--------|------|------|------------------------------------------------------------------------------------------------------------------------------------------------------------------------------|
|                                | Typ.   | Max. | Typ.   | Max. | Typ.   | Max. | Typ.   | Max. |      |                                                                                                                                                                              |
| $I_{cc}$ I/O                   | 130    | 150  | 180    | 200  | 220    | 250  | 260    | 300  | mA   | $C_L = 35$ pF<br>$T_{ambient} = 25^\circ\text{C}$<br>Max. values use the maximum volt-ages listed in Table 15. Typical values use the typical voltages listed in that table. |
| $I_{cc}$ SI/O                  | 100    | 120  | 150    | 170  | 200    | 220  | 250    | 270  | mA   |                                                                                                                                                                              |
| $I_{cc}$ Core,<br>$I_{cc}$ PLL | 460    | 500  | 510    | 550  | 610    | 650  | 680    | 730  | mA   |                                                                                                                                                                              |
| Power Dissipation              | 1.2    | 1.6  | 1.6    | 1.9  | 2.0    | 2.4  | 2.4    | 2.7  | W    |                                                                                                                                                                              |

Table 17 RC32438 Power Consumption

## DC Electrical Characteristics

Values based on systems running at recommended supply voltages, as shown in Table 15.

**Note:** See Table 2, Pin Characteristics, for a complete I/O listing.

| I/O Type                    | Parameter | Min.                   | Typical | Max.                   | Unit | Conditions              |
|-----------------------------|-----------|------------------------|---------|------------------------|------|-------------------------|
| LOW Drive Output            | $I_{OL}$  | —                      | 14.0    | —                      | mA   | $V_{OL} = 0.4\text{V}$  |
|                             | $I_{OH}$  | —                      | -12.0   | —                      | mA   | $V_{OH} = 1.5\text{V}$  |
| HIGH Drive Output           | $I_{OL}$  | —                      | 24.0    | —                      | mA   | $V_{OL} = 0.4\text{V}$  |
|                             | $I_{OH}$  | —                      | -42.0   | —                      | mA   | $V_{OH} = 1.5\text{V}$  |
| Schmitt Trigger Input (STI) | $V_{IL}$  | -0.3                   | —       | 0.8                    | V    | —                       |
|                             | $V_{IH}$  | 2.0                    | —       | $V_{cc}/O + 0.5$       | V    | —                       |
| SSTL_2 (for DDR SDRAM)      | $I_{OL}$  | 7.6                    | —       | —                      | mA   | $V_{OL} = 0.5\text{V}$  |
|                             | $I_{OH}$  | -7.6                   | —       | —                      | mA   | $V_{OH} = 1.76\text{V}$ |
|                             | $V_{IL}$  | -0.3                   | —       | $0.5(V_{cc}/O) - 0.18$ | V    |                         |
|                             | $V_{IH}$  | $0.5(V_{cc}/O) + 0.18$ | —       | $V_{cc}/O + 0.3$       | V    |                         |

Table 18 DC Electrical Characteristics (Part 1 of 2)

| I/O Type    | Parameter                               | Min.                                           | Typical | Max.                     | Unit | Conditions                                                             |
|-------------|-----------------------------------------|------------------------------------------------|---------|--------------------------|------|------------------------------------------------------------------------|
| PCI         | I <sub>OH</sub> (AC) Switching          | -12(V <sub>cc</sub> I/O)                       | —       | —                        | mA   | 0 < V <sub>OUT</sub> < 0.3(V <sub>cc</sub> I/O)                        |
|             |                                         | -17.1(V <sub>cc</sub> I/O - V <sub>OUT</sub> ) | —       | —                        | mA   | 0.3(V <sub>cc</sub> I/O) < V <sub>OUT</sub> < 0.9(V <sub>cc</sub> I/O) |
|             |                                         | —                                              | —       | -32(V <sub>cc</sub> I/O) | —    | 0.7(V <sub>cc</sub> I/O)                                               |
|             | I <sub>OL</sub> (AC) Switching          | +16(V <sub>cc</sub> I/O)                       | —       | —                        | mA   | V <sub>cc</sub> I/O > V <sub>OUT</sub> > 0.6(V <sub>cc</sub> I/O)      |
|             |                                         | +26.7(V <sub>OUT</sub> )                       | —       | —                        | mA   | 0.6(V <sub>cc</sub> I/O) > V <sub>OUT</sub> > 0.1(V <sub>cc</sub> I/O) |
|             |                                         | —                                              | —       | +38(V <sub>cc</sub> I/O) | mA   | V <sub>OUT</sub> = 0.18(V <sub>cc</sub> I/O)                           |
|             | V <sub>IL</sub>                         | -0.3                                           | —       | 0.3(V <sub>cc</sub> I/O) | V    |                                                                        |
|             | V <sub>IH</sub>                         | 0.5(V <sub>cc</sub> I/O)                       | —       | 5.5                      | V    |                                                                        |
| Capacitance | C <sub>IN</sub>                         | —                                              | —       | 8.0                      | pF   | —                                                                      |
| Leakage     | Inputs                                  | —                                              | —       | ± 10                     | µA   | V <sub>cc</sub> (max)                                                  |
|             | I/O <sub>LEAK</sub> w/o Pull-ups/downs  | —                                              | —       | ± 10                     | µA   | V <sub>cc</sub> (max)                                                  |
|             | I/O <sub>LEAK</sub> with Pull-ups/downs | —                                              | —       | ± 80                     | µA   | V <sub>cc</sub> (max)                                                  |

Table 18 DC Electrical Characteristics (Part 2 of 2)

### AC Test Conditions

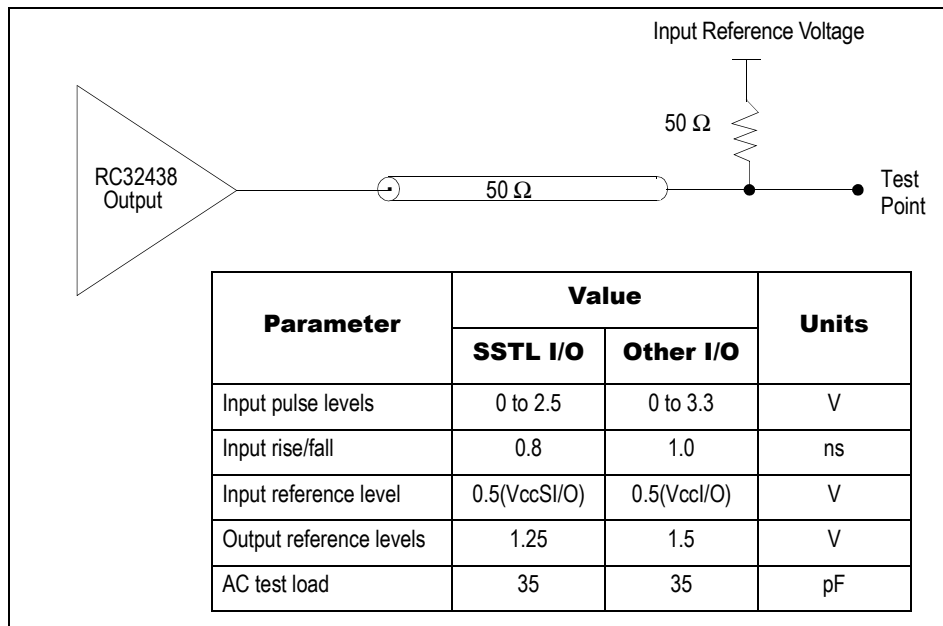


Figure 26 AC Test Conditions

## Absolute Maximum Ratings

| Symbol                       | Parameter                                 | Min <sup>1</sup> | Max <sup>1</sup>          | Unit |
|------------------------------|-------------------------------------------|------------------|---------------------------|------|
| V <sub>CC</sub> I/O          | I/O supply except for SSTL_2 <sup>2</sup> | -0.6             | 4.0                       | V    |
| V <sub>CC</sub> SI/O         | I/O supply for SSTL_2 <sup>2</sup>        | -0.6             | 3.0                       | V    |
| V <sub>CC</sub> Core         | Core Supply Voltage                       | -0.6             | 2.0                       | V    |
| V <sub>CC</sub> PLL          | PLL supply                                | -0.6             | 2.0                       | V    |
| V <sub>in</sub> I/O          | I/O Input Voltage except for SSTL_2       | -0.6             | V <sub>CC</sub> I/O+ 0.5  | V    |
| V <sub>in</sub> SI/O         | I/O Input Voltage for SSTL_2              | -0.6             | V <sub>CC</sub> SI/O+ 0.5 | V    |
| T <sub>a</sub><br>Industrial | Ambient Operating Temperature             | -40              | +85                       | °C   |
| T <sub>a</sub><br>Commercial | Ambient Operating Temperature             | 0                | +70                       | °C   |
| T <sub>s</sub>               | Storage Temperature                       | -40              | +125                      | °C   |

**Table 19 Absolute Maximum Ratings**

<sup>1</sup> Functional and tested operating conditions are given in Table 15. Absolute maximum ratings are stress ratings only, and functional operation at the maximums is not guaranteed. Stresses beyond those listed may affect device reliability or cause permanent damage to the device.

<sup>2</sup> SSTL\_2 I/Os are used to connect to DDR SDRAM.

## Package Pin-out — 416-PBGA Signal Pinout for RC32438

The following table lists the pin numbers, signal names, and number of alternate functions for the RC32438 device. Signal names ending with an “\_N” or “N” are active when low.

| Pin | Function    | Alt | Pin | Function             | Alt | Pin | Function             | Alt | Pin  | Function             | Alt |
|-----|-------------|-----|-----|----------------------|-----|-----|----------------------|-----|------|----------------------|-----|
| A1  | MII0CL      |     | D11 | V <sub>ss</sub>      |     | P1  | GPIO[00]             | 1   | AC17 | V <sub>ss</sub>      |     |
| A2  | GPIO[25]    | 1   | D12 | V <sub>ss</sub>      |     | P2  | MIIMDIO              |     | AC18 | V <sub>ss</sub>      |     |
| A3  | GPIO[31]    |     | D13 | V <sub>cc</sub> Core |     | P3  | GPIO[02]             | 1   | AC19 | V <sub>ss</sub>      |     |
| A4  | CSN[05]     |     | D14 | V <sub>cc</sub> Core |     | P4  | V <sub>cc</sub> I/O  |     | AC20 | V <sub>cc</sub> I/O  |     |
| A5  | CSN[02]     |     | D15 | V <sub>cc</sub> Core |     | P23 | V <sub>cc</sub> CORE |     | AC21 | V <sub>cc</sub> I/O  |     |
| A6  | BWEN[01]    |     | D16 | V <sub>ss</sub>      |     | P24 | DDRDM[03]            |     | AC22 | V <sub>cc</sub> I/O  |     |
| A7  | BOEN        |     | D17 | V <sub>ss</sub>      |     | P25 | DDRDATA[31]          |     | AC23 | V <sub>cc</sub> SI/O |     |
| A8  | MDATA[15]   |     | D18 | V <sub>ss</sub>      |     | P26 | DDRDATA[30]          |     | AC24 | V <sub>cc</sub> SI/O |     |
| A9  | MDATA[14]   |     | D19 | V <sub>ss</sub>      |     | R1  | INST                 |     | AC25 | DDROEN[00]           |     |
| A10 | MDATA[10]   |     | D20 | V <sub>cc</sub> I/O  |     | R2  | EJTAG_TMS            |     | AC26 | DDRADDR[00]          |     |
| A11 | MDATA[07]   |     | D21 | V <sub>cc</sub> SI/O |     | R3  | V <sub>ss</sub>      |     | AD1  | JTAG_TRST_N          |     |
| A12 | MDATA[06]   |     | D22 | V <sub>cc</sub> SI/O |     | R4  | V <sub>cc</sub> I/O  |     | AD2  | JTAG_TMS             |     |
| A13 | GPIO[29]    |     | D23 | V <sub>cc</sub> SI/O |     | R23 | V <sub>cc</sub> SI/O |     | AD3  | GPIO[15]             | 1   |
| A14 | GPIO[22]    | 1   | D24 | V <sub>cc</sub> SI/O |     | R24 | DDRDATA[29]          |     | AD4  | SDA                  |     |
| A15 | MADDR[21]   |     | D25 | DDRDATA[11]          |     | R25 | DDRADDR[13]          |     | AD5  | GPIO[27]             | 1   |
| A16 | MADDR[19]   |     | D26 | DDRDATA[10]          |     | R26 | DDRCSN[01]           |     | AD6  | PCIAD[30]            |     |
| A17 | MADDR[16]   |     | E1  | MII0TXD[02]          |     | T1  | NC                   |     | AD7  | PCIAD[26]            |     |
| A18 | MADDR[13]   |     | E2  | MII0TXD[00]          |     | T2  | GPIO[03]             | 1   | AD8  | PCICBEN[03]          |     |
| A19 | MADDR[10]   |     | E3  | MII0TXD[01]          |     | T3  | CPU                  |     | AD9  | PCIAD[21]            |     |
| A20 | MADDR[07]   |     | E4  | V <sub>ss</sub>      |     | T4  | V <sub>cc</sub> I/O  |     | AD10 | PCIAD[18]            |     |
| A21 | MADDR[05]   |     | E23 | V <sub>cc</sub> SI/O |     | T23 | V <sub>cc</sub> SI/O |     | AD11 | PCIREQN[01]          |     |
| A22 | MADDR[02]   |     | E24 | DDRDATA[09]          |     | T24 | DDRCSN[00]           |     | AD12 | PCICLK               |     |
| A23 | RSTN        |     | E25 | DDRDATA[12]          |     | T25 | DDRADDR[10]          |     | AD13 | PCIGNTN[00]          |     |
| A24 | DDRDATA[02] |     | E26 | DDRDM[01]            |     | T26 | DDRADDR[12]          |     | AD14 | PCIIRDYN             |     |
| A25 | DDRDATA[04] |     | F1  | MII0TXER             |     | U1  | JTAG_TDI             |     | AD15 | PCISTOPN             |     |
| A26 | DDRDATA[05] |     | F2  | MII0TXD[03]          |     | U2  | JTAG_TCK             |     | AD16 | PCIPERRN             |     |
| B1  | MII0CRS     |     | F3  | MII0TXENP            |     | U3  | JTAG_TDO             |     | AD17 | PCIAD[15]            |     |
| B2  | WAITACKN    |     | F4  | V <sub>ss</sub>      |     | U4  | V <sub>cc</sub> I/O  |     | AD18 | PCIAD[11]            |     |
| B3  | RWN         |     | F23 | V <sub>cc</sub> SI/O |     | U23 | V <sub>ss</sub>      |     | AD19 | PCIAD[08]            |     |
| B4  | CSN[04]     |     | F24 | DDRQDS[01]           |     | U24 | DDRADDR[11]          |     | AD20 | PCIAD[06]            |     |
| B5  | CSN[01]     |     | F25 | DDRDATA[15]          |     | U25 | DDRWEN               |     | AD21 | PCIGNTN[03]          |     |
| B6  | BWEN[00]    |     | F26 | DDRDATA[14]          |     | U26 | DDRADDR[09]          |     | AD22 | PCIAD[00]            |     |
| B7  | BGN         |     | G1  | MII0RXER             |     | V1  | SDO                  |     | AD23 | PCIAD[04]            |     |
| B8  | MDATA[13]   |     | G2  | MII0RXDV             |     | V2  | SDI                  |     | AD24 | DDRDM[05]            |     |

Table 20 RC32438 416-pin Signal Pin-Out (Part 1 of 3)

| Pin | Function    | Alt | Pin | Function             | Alt | Pin  | Function             | Alt | Pin  | Function    | Alt |
|-----|-------------|-----|-----|----------------------|-----|------|----------------------|-----|------|-------------|-----|
| B9  | MDATA[11]   |     | G3  | MII0TXCLK            |     | V3   | GPIO[05]             | 1   | AD25 | DDROEN[02]  |     |
| B10 | MDATA[03]   |     | G4  | V <sub>ss</sub>      |     | V4   | V <sub>ss</sub>      |     | AD26 | DDROEN[01]  |     |
| B11 | MDATA[08]   |     | G23 | V <sub>ss</sub>      |     | V23  | V <sub>ss</sub>      |     | AE1  | N/C         |     |
| B12 | MDATA[02]   |     | G24 | DDRCKP[00]           |     | V24  | DDRADDR[08]          |     | AE2  | GPIO[13]    | 1   |
| B13 | GPIO[23]    | 1   | G25 | DDRDATA[16]          |     | V25  | DDRRASN              |     | AE3  | GPIO[18]    | 1   |
| B14 | MADDR[20]   |     | G26 | DDRDATA[13]          |     | V26  | DDRCASN              |     | AE4  | GPIO[24]    | 1   |
| B15 | GPIO[20]    | 1   | H1  | MII1CRS              |     | W1   | GPIO[04]             | 1   | AE5  | GPIO[26]    | 1   |
| B16 | MADDR[17]   |     | H2  | MII1CL               |     | W2   | SCK                  |     | AE6  | PCIAD[31]   |     |
| B17 | MADDR[14]   |     | H3  | MII1RXCLK            |     | W3   | CLK                  |     | AE7  | PCIAD[28]   |     |
| B18 | MADDR[12]   |     | H4  | V <sub>ss</sub>      |     | W4   | V <sub>ss</sub>      |     | AE8  | PCIAD[25]   |     |
| B19 | MADDR[09]   |     | H23 | V <sub>ss</sub>      |     | W23  | V <sub>ss</sub>      |     | AE9  | GPIO[30]    | 1   |
| B20 | MADDR[06]   |     | H24 | DDRCKN[00]           |     | W24  | DDRADDR[07]          |     | AE10 | PCIAD[22]   |     |
| B21 | MADDR[03]   |     | H25 | DDRDATA[18]          |     | W25  | DDRADDR[06]          |     | AE11 | PCIAD[19]   |     |
| B22 | MADDR[00]   |     | H26 | DDRVREF              |     | W26  | DDRBA[01]            |     | AE12 | PCIAD[16]   |     |
| B23 | DDRDATA[01] |     | J1  | MII1RXD[01]          |     | Y1   | GPIO[06]             | 1   | AE13 | PCIRSTN     |     |
| B24 | DDRQDS[00]  |     | J2  | MII1RXD[00]          |     | Y2   | V <sub>cc</sub> PLL  |     | AE14 | PCIREQN[02] |     |
| B25 | DDRDM[00]   |     | J3  | MII1RXD[03]          |     | Y3   | GPIO[08]             | 1   | AE15 | PCIFRAMEN   |     |
| B26 | DDRDATA[06] |     | J4  | V <sub>ss</sub>      |     | Y4   | V <sub>ss</sub>      |     | AE16 | PCIDEVSELN  |     |
| C1  | MII0RXD[00] |     | J23 | V <sub>ss</sub>      |     | Y23  | V <sub>ss</sub>      |     | AE17 | PCILOCKN    |     |
| C2  | MII0RXCLK   |     | J24 | DDRDATA[17]          |     | Y24  | DDRCKN[01]           |     | AE18 | PCICBEN[01] |     |
| C3  | EXTCLK      |     | J25 | DDRDATA[21]          |     | Y25  | DDRBA[00]            |     | AE19 | PCIAD[13]   |     |
| C4  | COLDRSTN    |     | J26 | DDRDATA[19]          |     | Y26  | DDRADDR[05]          |     | AE20 | PCIAD[10]   |     |
| C5  | OEN         |     | K1  | MII1RXDV             |     | AA1  | V <sub>ss</sub> PLL  |     | AE21 | PCICBEN[00] |     |
| C6  | CSN[03]     |     | K2  | MII1RXD[02]          |     | AA2  | GPIO[07]             | 1   | AE22 | PCIAD[05]   |     |
| C7  | CSN[00]     |     | K3  | MII1TXCLK            |     | AA3  | V <sub>cc</sub> PLL  |     | AE23 | PCIAD[02]   |     |
| C8  | BRN         |     | K4  | V <sub>cc</sub> Core |     | AA4  | V <sub>ss</sub>      |     | AE24 | PCIGNTN[01] |     |
| C9  | BDIRN       |     | K23 | V <sub>ss</sub>      |     | AA23 | V <sub>ss</sub>      |     | AE25 | DDRDM[07]   |     |
| C10 | MDATA[12]   |     | K24 | DDRDATA[20]          |     | AA24 | DDRCKP[01]           |     | AE26 | DDRDM[04]   |     |
| C11 | MDATA[09]   |     | K25 | DDRQDS[02]           |     | AA25 | DDRADDR[03]          |     | AF1  | GPIO[16]    | 1   |
| C12 | MDATA[01]   |     | K26 | DDRCKE               |     | AA26 | DDRADDR[04]          |     | AF2  | GPIO[17]    | 1   |
| C13 | MDATA[05]   |     | L1  | MII1TXD[00]          |     | AB1  | GPIO[09]             | 1   | AF3  | GPIO[19]    | 1   |
| C14 | MDATA[04]   |     | L2  | MII1RXER             |     | AB2  | GPIO[14]             | 1   | AF4  | SCL         |     |
| C15 | MDATA[00]   |     | L3  | MII1TXD[03]          |     | AB3  | GPIO[11]             | 1   | AF5  | GPIO[28]    | 1   |
| C16 | GPIO[21]    | 1   | L4  | V <sub>cc</sub> Core |     | AB4  | V <sub>ss</sub>      |     | AF6  | PCIAD[29]   |     |
| C17 | MADDR[18]   |     | L23 | V <sub>cc</sub> Core |     | AB23 | V <sub>ss</sub>      |     | AF7  | PCIAD[27]   |     |
| C18 | MADDR[15]   |     | L24 | DDRDM[02]            |     | AB24 | V <sub>cc</sub> SI/O |     | AF8  | PCIAD[24]   |     |
| C19 | MADDR[11]   |     | L25 | DDRDATA[24]          |     | AB25 | DDRADDR[01]          |     | AF9  | PCIAD[23]   |     |

Table 20 RC32438 416-pin Signal Pin-Out (Part 2 of 3)

| Pin | Function            | Alt | Pin | Function             | Alt | Pin  | Function             | Alt | Pin  | Function    | Alt |
|-----|---------------------|-----|-----|----------------------|-----|------|----------------------|-----|------|-------------|-----|
| C20 | MADDR[08]           |     | L26 | DDRDATA[22]          |     | AB26 | DDRADDR[02]          |     | AF10 | PCIAD[20]   |     |
| C21 | MADDR[04]           |     | M1  | MII1TXD[02]          |     | AC1  | V <sub>ss</sub> PLL  |     | AF11 | PCIAD[17]   |     |
| C22 | MADDR[01]           |     | M2  | MII1TXD[01]          |     | AC2  | GPIO[10]             | 1   | AF12 | PCIREQN[03] |     |
| C23 | DDRDATA[00]         |     | M3  | MIIMDC               |     | AC3  | GPIO[12]             | 1   | AF13 | PCIREQN[00] |     |
| C24 | DDRDATA[03]         |     | M4  | V <sub>cc</sub> Core |     | AC4  | V <sub>ss</sub>      |     | AF14 | PCICBEN[02] |     |
| C25 | DDRDATA[08]         |     | M23 | V <sub>cc</sub> Core |     | AC5  | V <sub>ss</sub>      |     | AF15 | PCITRDYN    |     |
| C26 | DDRDATA[07]         |     | M24 | DDRDATA[23]          |     | AC6  | V <sub>ss</sub>      |     | AF16 | PCISERRN    |     |
| D1  | MIIORXD[03]         |     | M25 | DDRDATA[27]          |     | AC7  | V <sub>cc</sub> I/O  |     | AF17 | PCIPAR      |     |
| D2  | MIIORXD[01]         |     | M26 | DDRDATA[25]          |     | AC8  | V <sub>cc</sub> I/O  |     | AF18 | PCIAD[14]   |     |
| D3  | MIIORXD[02]         |     | N1  | MII1TXER             |     | AC9  | V <sub>cc</sub> I/O  |     | AF19 | PCIAD[12]   |     |
| D4  | V <sub>ss</sub>     |     | N2  | MII1TXENP            |     | AC10 | V <sub>ss</sub>      |     | AF20 | PCIAD[09]   |     |
| D5  | V <sub>ss</sub>     |     | N3  | GPIO[01]             | 1   | AC11 | V <sub>ss</sub>      |     | AF21 | PCIAD[07]   |     |
| D6  | V <sub>ss</sub>     |     | N4  | V <sub>cc</sub> Core |     | AC12 | V <sub>ss</sub>      |     | AF22 | PCIAD[03]   |     |
| D7  | V <sub>cc</sub> I/O |     | N23 | V <sub>cc</sub> Core |     | AC13 | V <sub>cc</sub> Core |     | AF23 | PCIAD[01]   |     |
| D8  | V <sub>cc</sub> I/O |     | N24 | DDRDATA[26]          |     | AC14 | V <sub>cc</sub> Core |     | AF24 | PCIGNTN[02] |     |
| D9  | V <sub>cc</sub> I/O |     | N25 | DDRDATA[28]          |     | AC15 | V <sub>cc</sub> Core |     | AF25 | DDRDM[06]   |     |
| D10 | V <sub>ss</sub>     |     | N26 | DDRQDS[03]           |     | AC16 | V <sub>ss</sub>      |     | AF26 | DDROEN[03]  |     |

Table 20 RC32438 416-pin Signal Pin-Out (Part 3 of 3)

## RC32438 Power Pins

| V <sub>cc</sub> I/O | V <sub>cc</sub> S/I/O | V <sub>cc</sub> Core | V <sub>cc</sub> PLL |
|---------------------|-----------------------|----------------------|---------------------|
| D7                  | D21                   | D13                  | Y2, AA3             |
| D8                  | D22                   | D14                  |                     |
| D9                  | D23                   | D15                  |                     |
| D20                 | D24                   | K4                   |                     |
| P4                  | E23                   | L4                   |                     |
| R4                  | F23                   | L23                  |                     |
| T4                  | R23                   | M4                   |                     |
| U4                  | T23                   | M23                  |                     |
| AC7                 | AB24                  | N4                   |                     |
| AC8                 | AC23                  | N23                  |                     |
| AC9                 | AC24                  | P23                  |                     |
| AC20                |                       | AC13                 |                     |
| AC21                |                       | AC14                 |                     |
| AC22                |                       | AC15                 |                     |

Table 21 RC32438 Power Pins

**RC32438 Ground Pins**

| <b>V<sub>SS</sub></b> | <b>V<sub>SS</sub></b> | <b>V<sub>SS</sub></b> | <b>V<sub>SS</sub></b> | <b>V<sub>SS</sub> PLL</b> |
|-----------------------|-----------------------|-----------------------|-----------------------|---------------------------|
| D4                    | L10                   | P13                   | U15                   | AA1, AC1                  |
| D5                    | L11                   | P14                   | U16                   |                           |
| D6                    | L12                   | P15                   | U17                   |                           |
| D10                   | L13                   | P16                   | U23                   |                           |
| D11                   | L14                   | P17                   | V4                    |                           |
| D12                   | L15                   | R3                    | V23                   |                           |
| D16                   | L16                   | R10                   | W4                    |                           |
| D17                   | L17                   | R11                   | W23                   |                           |
| D18                   | M10                   | R12                   | Y4                    |                           |
| D19                   | M11                   | R13                   | Y23                   |                           |
| E4                    | M12                   | R14                   | AA4                   |                           |
| F4                    | M13                   | R15                   | AA23                  |                           |
| G4                    | M14                   | R16                   | AB4                   |                           |
| G23                   | M15                   | R17                   | AB23                  |                           |
| H4                    | M16                   | T10                   | AC4                   |                           |
| H23                   | M17                   | T11                   | AC5                   |                           |
| J4                    | N10                   | T12                   | AC6                   |                           |
| J23                   | N11                   | T13                   | AC10                  |                           |
| K10                   | N12                   | T14                   | AC11                  |                           |
| K11                   | N13                   | T15                   | AC12                  |                           |
| K12                   | N14                   | T16                   | AC16                  |                           |
| K13                   | N15                   | T17                   | AC17                  |                           |
| K14                   | N16                   | U10                   | AC18                  |                           |
| K15                   | N17                   | U11                   | AC19                  |                           |
| K16                   | P10                   | U12                   |                       |                           |
| K17                   | P11                   | U13                   |                       |                           |
| K23                   | P12                   | U14                   |                       |                           |

Table 22 RC32438 Ground Pins

## RC32438 Alternate Signal Functions

| Pin | GPIO     | Alternate | Pin | GPIO     | Alternate  | Pin | GPIO     | Alternate  |
|-----|----------|-----------|-----|----------|------------|-----|----------|------------|
| A14 | GPIO[22] | MADDR[24] | Y1  | GPIO[06] | U0RTSN     | AE2 | GPIO[13] | U1CTSN     |
| B13 | GPIO[23] | MADDR[25] | Y3  | GPIO[08] | U1SOUT     | AE3 | GPIO[18] | DMAFINN[0] |
| B15 | GPIO[20] | MADDR[22] | AA2 | GPIO[07] | U0CTSN     | AE4 | GPIO[24] | PCIREQN[4] |
| C16 | GPIO[21] | MADDR[23] | AB1 | GPIO[09] | U1SINP     | AE5 | GPIO[26] | PCIGNTN[4] |
| N3  | GPIO[01] | U0SINP    | AB2 | GPIO[14] | DMAREQN[0] | AE9 | GPIO[30] | PCIMUINTN  |
| P1  | GPIO[00] | U0SOUT    | AB3 | GPIO[11] | U1DSRN     | AF1 | GPIO[16] | DMADONE[0] |
| P3  | GPIO[02] | U0RIN     | AC2 | GPIO[10] | U1DTRN     | AF2 | GPIO[17] | DMADONE[1] |
| T2  | GPIO[03] | U0DCDN    | AC3 | GPIO[12] | U1RTSN     | AF3 | GPIO[19] | DMAFINN[1] |
| V3  | GPIO[05] | U0DSRN    | AD3 | GPIO[15] | DMAREQN[1] | AF5 | GPIO[28] | PCIGNTN[5] |
| W1  | GPIO[04] | U0DTRN    | AD5 | GPIO[27] | PCIREQN[5] |     |          |            |

Table 23 RC32438 Alternate Signal Functions

## RC32438 Signals Listed Alphabetically

The following table lists the RC32438 pins in alphabetical order.

| Signal Name | I/O Type | Location | Signal Category           |
|-------------|----------|----------|---------------------------|
| BDIRN       | O        | C9       | Memory and Peripheral Bus |
| BGN         | O        | B7       | Memory and Peripheral Bus |
| BOEN        | O        | A7       | Memory and Peripheral Bus |
| BRN         | I        | C8       | Memory and Peripheral Bus |
| BWEN[00]    | O        | B6       | Memory and Peripheral Bus |
| BWEN[01]    | O        | A6       | Memory and Peripheral Bus |
| CLK         | I        | W3       | System                    |
| COLDRSTN    | I        | C4       | System                    |
| CPU         | O        | T3       | Debug                     |
| CSN[00]     | O        | C7       | Memory and Peripheral Bus |
| CSN[01]     | O        | B5       |                           |
| CSN[02]     | O        | A5       |                           |
| CSN[03]     | O        | C6       |                           |
| CSN[04]     | O        | B4       |                           |
| CSN[05]     | O        | A4       |                           |

Table 24 RC32438 Alphabetical Signal List (Part 1 of 9)



| Signal Name | I/O Type | Location | Signal Category |
|-------------|----------|----------|-----------------|
| DDRADDR[00] | O        | AC26     | DDR Bus         |
| DDRADDR[01] | O        | AB25     |                 |
| DDRADDR[02] | O        | AB26     |                 |
| DDRADDR[03] | O        | AA25     |                 |
| DDRADDR[04] | O        | AA26     |                 |
| DDRADDR[05] | O        | Y26      |                 |
| DDRADDR[06] | O        | W25      |                 |
| DDRADDR[07] | O        | W24      |                 |
| DDRADDR[08] | O        | V24      |                 |
| DDRADDR[09] | O        | U26      |                 |
| DDRADDR[10] | O        | T25      |                 |
| DDRADDR[11] | O        | U24      |                 |
| DDRADDR[12] | O        | T26      |                 |
| DDRADDR[13] | O        | R25      |                 |
| DDRBA[00]   | O        | Y25      |                 |
| DDRBA[01]   | O        | W26      |                 |
| DDRCASN     | O        | V26      |                 |
| DDRCKE      | O        | K26      |                 |
| DDRCKN[00]  | O        | H24      |                 |
| DDRCKN[01]  | O        | Y24      |                 |
| DDRCKP[00]  | O        | G24      |                 |
| DDRCKP[01]  | O        | AA24     |                 |
| DDRCSN[00]  | O        | T24      |                 |
| DDRCSN[01]  | O        | R26      |                 |
| DDRDATA[00] | I/O      | C23      |                 |
| DDRDATA[01] | I/O      | B23      |                 |
| DDRDATA[02] | I/O      | A24      |                 |
| DDRDATA[03] | I/O      | C24      |                 |
| DDRDATA[04] | I/O      | A25      |                 |
| DDRDATA[05] | I/O      | A26      |                 |
| DDRDATA[06] | I/O      | B26      |                 |
| DDRDATA[07] | I/O      | C26      |                 |
| DDRDATA[08] | I/O      | C25      |                 |
| DDRDATA[09] | I/O      | E24      |                 |
| DDRDATA[10] | I/O      | D26      |                 |

Table 24 RC32438 Alphabetical Signal List (Part 2 of 9)

| Signal Name | I/O Type | Location | Signal Category |
|-------------|----------|----------|-----------------|
| DDRDATA[11] | I/O      | D25      | DDR Bus         |
| DDRDATA[12] | I/O      | E25      |                 |
| DDRDATA[13] | I/O      | G26      |                 |
| DDRDATA[14] | I/O      | F26      |                 |
| DDRDATA[15] | I/O      | F25      |                 |
| DDRDATA[16] | I/O      | G25      |                 |
| DDRDATA[17] | I/O      | J24      |                 |
| DDRDATA[18] | I/O      | H25      |                 |
| DDRDATA[19] | I/O      | J26      |                 |
| DDRDATA[20] | I/O      | K24      |                 |
| DDRDATA[21] | I/O      | J25      |                 |
| DDRDATA[22] | I/O      | L26      |                 |
| DDRDATA[23] | I/O      | M24      |                 |
| DDRDATA[24] | I/O      | L25      |                 |
| DDRDATA[25] | I/O      | M26      |                 |
| DDRDATA[26] | I/O      | N24      |                 |
| DDRDATA[27] | I/O      | M25      |                 |
| DDRDATA[28] | I/O      | N25      |                 |
| DDRDATA[29] | I/O      | R24      |                 |
| DDRDATA[30] | I/O      | P26      |                 |
| DDRDATA[31] | I/O      | P25      |                 |
| DDRDM[00]   | O        | B25      |                 |
| DDRDM[01]   | O        | E26      |                 |
| DDRDM[02]   | O        | L24      |                 |
| DDRDM[03]   | O        | P24      |                 |
| DDRDM[04]   | O        | AE26     |                 |
| DDRDM[05]   | O        | AD24     |                 |
| DDRDM[06]   | O        | AF25     |                 |
| DDRDM[07]   | O        | AE25     |                 |
| DDRDQS[00]  | I/O      | B24      |                 |
| DDRDQS[01]  | I/O      | F24      |                 |
| DDRDQS[02]  | I/O      | K25      |                 |
| DDRDQS[03]  | I/O      | N26      |                 |
| DDROEN[00]  | O        | AC25     |                 |
| DDROEN[01]  | O        | AD26     |                 |

Table 24 RC32438 Alphabetical Signal List (Part 3 of 9)

| Signal Name | I/O Type | Location | Signal Category              |
|-------------|----------|----------|------------------------------|
| DDROEN[02]  | O        | AD25     | DDR Bus                      |
| DDROEN[03]  | O        | AF26     |                              |
| DDRRASN     | O        | V25      |                              |
| DDRVREF     | I        | H26      |                              |
| DDRWEN      | O        | U25      |                              |
| EJTAG_TMS   | I        | R2       | EJTAG/ICE                    |
| EXTCLK      | O        | C3       | System                       |
| GPIO[00]    | I/O      | P1       | General Purpose Input/Output |
| GPIO[01]    | I/O      | N3       |                              |
| GPIO[02]    | I/O      | P3       |                              |
| GPIO[03]    | I/O      | T2       |                              |
| GPIO[04]    | I/O      | W1       |                              |
| GPIO[05]    | I/O      | V3       |                              |
| GPIO[06]    | I/O      | Y1       |                              |
| GPIO[07]    | I/O      | AA2      |                              |
| GPIO[08]    | I/O      | Y3       |                              |
| GPIO[09]    | I/O      | AB1      |                              |
| GPIO[10]    | I/O      | AC2      |                              |
| GPIO[11]    | I/O      | AB3      |                              |
| GPIO[12]    | I/O      | AC3      |                              |
| GPIO[13]    | I/O      | AE2      |                              |
| GPIO[14]    | I/O      | AB2      |                              |
| GPIO[15]    | I/O      | AD3      |                              |
| GPIO[16]    | I/O      | AF1      |                              |
| GPIO[17]    | I/O      | AF2      |                              |
| GPIO[18]    | I/O      | AE3      |                              |
| GPIO[19]    | I/O      | AF3      |                              |
| GPIO[20]    | I/O      | B15      |                              |
| GPIO[21]    | I/O      | C16      |                              |
| GPIO[22]    | I/O      | A14      |                              |
| GPIO[23]    | I/O      | B13      |                              |
| GPIO[24]    | I/O      | AE4      |                              |
| GPIO[25]    | I/O      | A2       |                              |
| GPIO[26]    | I/O      | AE5      |                              |
| GPIO[27]    | I/O      | AD5      |                              |

Table 24 RC32438 Alphabetical Signal List (Part 4 of 9)

| Signal Name | I/O Type | Location | Signal Category              |
|-------------|----------|----------|------------------------------|
| GPIO[28]    | I/O      | AF5      | General Purpose Input/Output |
| GPIO[29]    | I/O      | A13      |                              |
| GPIO[30]    | I/O      | AE9      |                              |
| GPIO[31]    | I/O      | A3       |                              |
| INST        | O        | R1       | Debug                        |
| JTAG_TCK    | I        | U2       | EJTAG/ICE                    |
| JTAG_TDI    | I        | U1       |                              |
| JTAG_TDO    | O        | U3       |                              |
| JTAG_TMS    | I        | AD2      |                              |
| JTAG_TRST_N | I        | AD1      |                              |
| MADDR[00]   | O        | B22      | Memory and Peripheral Bus    |
| MADDR[01]   | O        | C22      |                              |
| MADDR[02]   | O        | A22      |                              |
| MADDR[03]   | O        | B21      |                              |
| MADDR[04]   | O        | C21      |                              |
| MADDR[05]   | O        | A21      |                              |
| MADDR[06]   | O        | B20      |                              |
| MADDR[07]   | O        | A20      |                              |
| MADDR[08]   | O        | C20      |                              |
| MADDR[09]   | O        | B19      |                              |
| MADDR[10]   | O        | A19      |                              |
| MADDR[11]   | O        | C19      |                              |
| MADDR[12]   | O        | B18      |                              |
| MADDR[13]   | O        | A18      |                              |
| MADDR[14]   | O        | B17      |                              |
| MADDR[15]   | O        | C18      |                              |
| MADDR[16]   | O        | A17      |                              |
| MADDR[17]   | O        | B16      |                              |
| MADDR[18]   | O        | C17      |                              |
| MADDR[19]   | O        | A16      |                              |
| MADDR[20]   | O        | B14      |                              |
| MADDR[21]   | O        | A15      |                              |
| MDATA[00]   | I/O      | C15      |                              |
| MDATA[01]   | I/O      | C12      |                              |

Table 24 RC32438 Alphabetical Signal List (Part 5 of 9)

| Signal Name | I/O Type | Location | Signal Category           |
|-------------|----------|----------|---------------------------|
| MDATA[02]   | I/O      | B12      | Memory and Peripheral Bus |
| MDATA[03]   | I/O      | B10      |                           |
| MDATA[04]   | I/O      | C14      |                           |
| MDATA[05]   | I/O      | C13      |                           |
| MDATA[06]   | I/O      | A12      |                           |
| MDATA[07]   | I/O      | A11      |                           |
| MDATA[08]   | I/O      | B11      |                           |
| MDATA[09]   | I/O      | C11      |                           |
| MDATA[10]   | I/O      | A10      |                           |
| MDATA[11]   | I/O      | B9       |                           |
| MDATA[12]   | I/O      | C10      |                           |
| MDATA[13]   | I/O      | B8       |                           |
| MDATA[14]   | I/O      | A9       |                           |
| MDATA[15]   | I/O      | A8       |                           |
| MII0CL      | I        | A1       |                           |
| MII0CRS     | I        | B1       |                           |
| MII0RXCLK   | I        | C2       |                           |
| MII0RXD[00] | I        | C1       |                           |
| MII0RXD[01] | I        | D2       |                           |
| MII0RXD[02] | I        | D3       |                           |
| MII0RXD[03] | I        | D1       |                           |
| MII0RXDV    | I        | G2       |                           |
| MII0RXER    | I        | G1       |                           |
| MII0TXCLK   | I        | G3       |                           |
| MII0TXD[00] | O        | E2       |                           |
| MII0TXD[01] | O        | E3       |                           |
| MII0TXD[02] | O        | E1       |                           |
| MII0TXD[03] | O        | F2       |                           |
| MII0TXENP   | O        | F3       |                           |
| MII0TXER    | O        | F1       |                           |
| MII1CL      | I        | H2       |                           |
| MII1CRS     | I        | H1       |                           |
| MII1RXCLK   | I        | H3       |                           |
| MII1RXD[00] | I        | J2       |                           |
| MII1RXD[01] | I        | J1       |                           |

Table 24 RC32438 Alphabetical Signal List (Part 6 of 9)

| Signal Name | I/O Type | Location | Signal Category     |
|-------------|----------|----------|---------------------|
| MII1RXD[02] | I        | K2       | Ethernet Interfaces |
| MII1RXD[03] | I        | J3       |                     |
| MII1RXDV    | I        | K1       |                     |
| MII1RXER    | I        | L2       |                     |
| MII1TXCLK   | I        | K3       |                     |
| MII1TXD[00] | O        | L1       |                     |
| MII1TXD[01] | O        | M2       |                     |
| MII1TXD[02] | O        | M1       |                     |
| MII1TXD[03] | O        | L3       |                     |
| MII1TXENP   | O        | N2       |                     |
| MII1TXER    | O        | N1       |                     |
| MIIMDC      | O        | M3       |                     |
| MIIMDIO     | I/O      | P2       |                     |
| OEN         | O        | C5       |                     |
| PCIAD[00]   | I/O      | AD22     | PCI Bus             |
| PCIAD[01]   | I/O      | AF23     |                     |
| PCIAD[02]   | I/O      | AE23     |                     |
| PCIAD[03]   | I/O      | AF22     |                     |
| PCIAD[04]   | I/O      | AD23     |                     |
| PCIAD[05]   | I/O      | AE22     |                     |
| PCIAD[06]   | I/O      | AD20     |                     |
| PCIAD[07]   | I/O      | AF21     |                     |
| PCIAD[08]   | I/O      | AD19     |                     |
| PCIAD[09]   | I/O      | AF20     |                     |
| PCIAD[10]   | I/O      | AE20     |                     |
| PCIAD[11]   | I/O      | AD18     |                     |
| PCIAD[12]   | I/O      | AF19     |                     |
| PCIAD[13]   | I/O      | AE19     |                     |
| PCIAD[14]   | I/O      | AF18     |                     |
| PCIAD[15]   | I/O      | AD17     |                     |
| PCIAD[16]   | I/O      | AE12     |                     |
| PCIAD[17]   | I/O      | AF11     |                     |
| PCIAD[18]   | I/O      | AD10     |                     |
| PCIAD[19]   | I/O      | AE11     |                     |
| PCIAD[20]   | I/O      | AF10     |                     |

Table 24 RC32438 Alphabetical Signal List (Part 7 of 9)

| Signal Name | I/O Type | Location | Signal Category           |
|-------------|----------|----------|---------------------------|
| PCIAD[21]   | I/O      | AD9      | PCI Bus                   |
| PCIAD[22]   | I/O      | AE10     |                           |
| PCIAD[23]   | I/O      | AF9      |                           |
| PCIAD[24]   | I/O      | AF8      |                           |
| PCIAD[25]   | I/O      | AE8      |                           |
| PCIAD[26]   | I/O      | AD7      |                           |
| PCIAD[27]   | I/O      | AF7      |                           |
| PCIAD[28]   | I/O      | AE7      |                           |
| PCIAD[29]   | I/O      | AF6      |                           |
| PCIAD[30]   | I/O      | AD6      |                           |
| PCIAD[31]   | I/O      | AE6      |                           |
| PCICBEN[00] | I/O      | AE21     |                           |
| PCICBEN[01] | I/O      | AE18     |                           |
| PCICBEN[02] | I/O      | AF14     |                           |
| PCICBEN[03] | I/O      | AD8      |                           |
| PCICLK      | I        | AD12     |                           |
| PCIDEVSELN  | I/O      | AE16     |                           |
| PCIFRAMEN   | I/O      | AE15     |                           |
| PCIGNTN[00] | I/O      | AD13     |                           |
| PCIGNTN[01] | I/O      | AE24     |                           |
| PCIGNTN[02] | I/O      | AF24     |                           |
| PCIGNTN[03] | I/O      | AD21     |                           |
| PCIIRDYN    | I/O      | AD14     |                           |
| PCILOCKN    | I/O      | AE17     |                           |
| PCIPAR      | I/O      | AF17     |                           |
| PCIPERRN    | I/O      | AD16     |                           |
| PCIREQN[00] | I/O      | AF13     |                           |
| PCIREQN[01] | I/O      | AD11     |                           |
| PCIREQN[02] | I/O      | AE14     |                           |
| PCIREQN[03] | I/O      | AF12     |                           |
| PCIRSTN     | I/O      | AE13     |                           |
| PCISERRN    | I/O      | AF16     |                           |
| PCISTOPN    | I/O      | AD15     |                           |
| PCITRDYN    | I/O      | AF15     |                           |
| RSTN        | I/O      | A23      | System                    |
| RWN         | O        | B3       | Memory and Peripheral Bus |

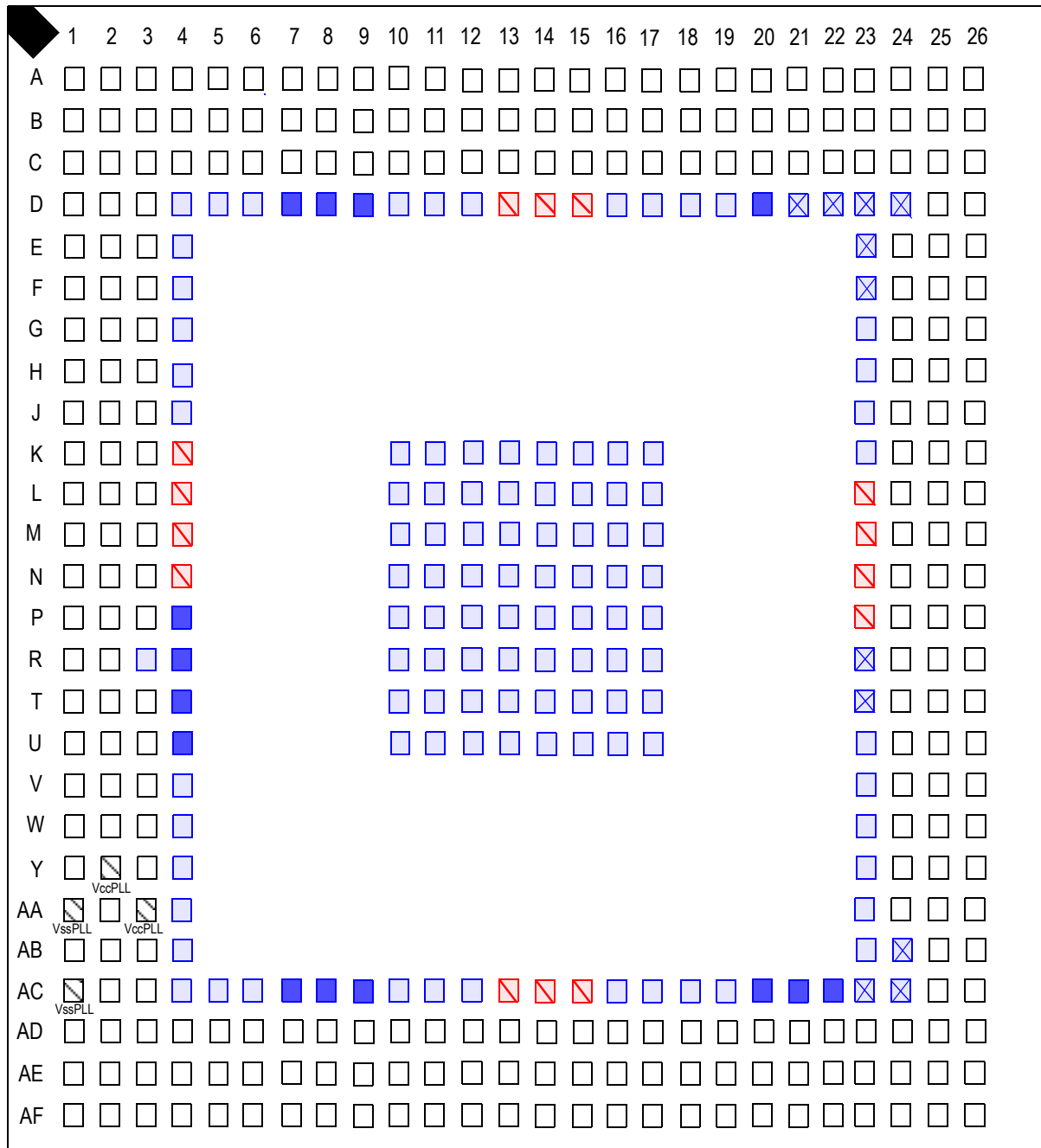
Table 24 RC32438 Alphabetical Signal List (Part 8 of 9)

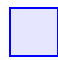



| Signal Name       | I/O Type                                   | Location                                                                     | Signal Category           |
|-------------------|--------------------------------------------|------------------------------------------------------------------------------|---------------------------|
| SCK               | I/O                                        | W2                                                                           | SPI Interface             |
| SCL               | I/O                                        | AF4                                                                          | I <sup>2</sup> C          |
| SDA               | I/O                                        | AD4                                                                          |                           |
| SDI               | I/O                                        | V2                                                                           | SPI Interface             |
| SDO               | I/O                                        | V1                                                                           |                           |
| Vcc CORE          |                                            | D13, D14, D15, K4,<br>L4, L23, M4, M23,<br>N4, N23, P23,<br>AC13, AC14, AC15 |                           |
| Vcc I/O, Vcc SI/O | See Table 21 for a listing of power pins.  |                                                                              |                           |
| Vcc PLL           |                                            |                                                                              |                           |
| Vss               | See Table 22 for a listing of ground pins. |                                                                              |                           |
| Vss PLL           |                                            |                                                                              |                           |
| WAITACKN          | I                                          | B2                                                                           | Memory and Peripheral Bus |

Table 24 RC32438 Alphabetical Signal List (Part 9 of 9)

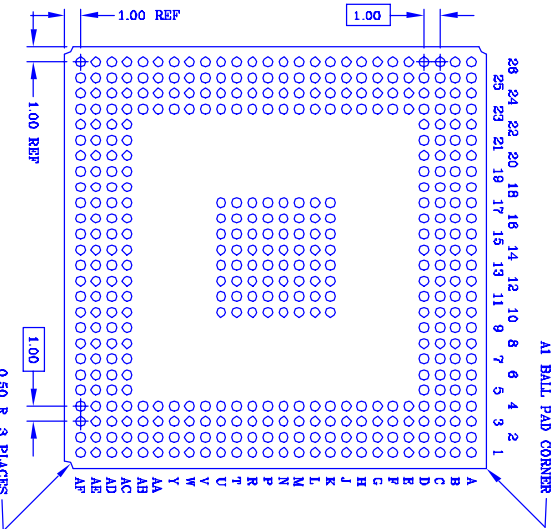
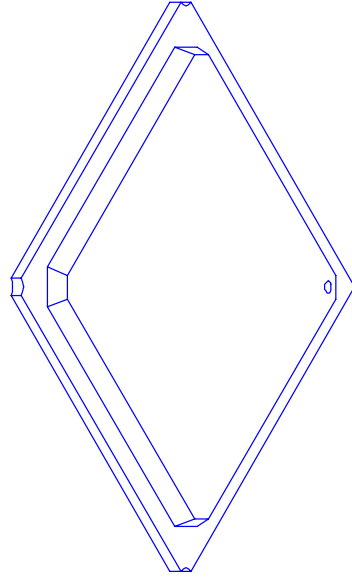


# RC32438 Pinout — Top View



-  Vss (Ground)
-  Vcc SI/O (Power)
-  Vcc I/O (Power)
-  Vcc Core (Power)





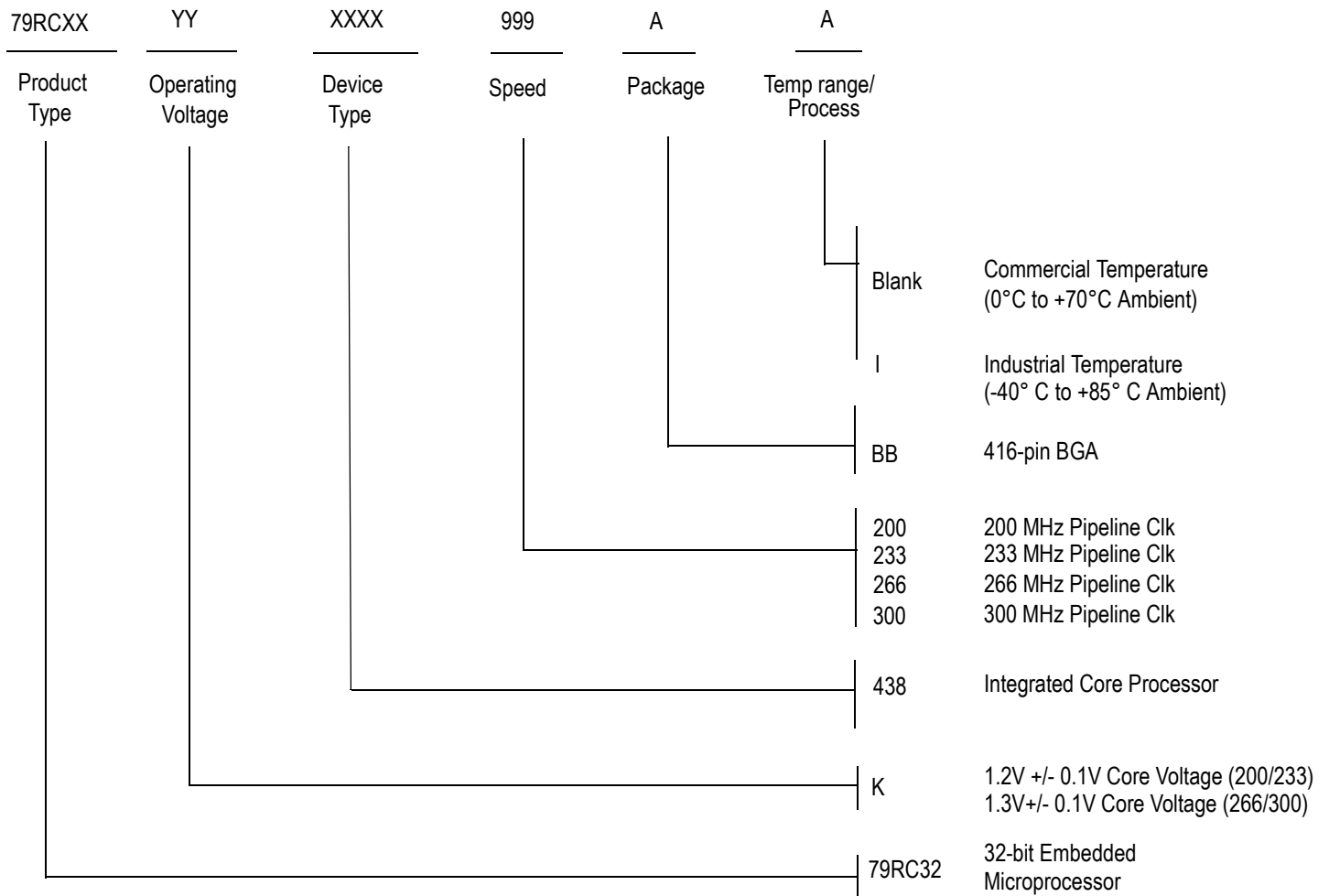
**BOTTOM VIEW**  
(416 SOLDER BALLS)

- NOTES: UNLESS OTHERWISE SPECIFIED
1. ALL DIMENSIONS AND TOLERANCES CONFORM TO ASME Y14.5M-1994.
  2. THE BASIC SOLDER BALL GRID PITCH IS 1.00mm.
  3. THE MAXIMUM SOLDER BALL MATRIX SIZE IS 26 X 26. DIMENSION IS MEASURED AT THE MAXIMUM SOLDER BALL DIAMETER, PARALLEL TO PRIMARY DATUM Z.
  4. PRIMARY DATUM Z AND BEATING PLANE ARE DEFINED BY THE SPHERICAL CROWNS OF THE SOLDER BALLS.
  5. "A1" ID CORNER MUST BE IDENTIFIED. IDENTIFICATION MAY BE BY MEANS OF CHAMFER, METALLIZED OR INK MARK. INDENTATION OR OTHER FEATURE OF THE PACKAGE BODY. MARK MUST BE VISIBLE FROM TOP SURFACE.
  - 6.

| REVISIONS |     |                 |          |
|-----------|-----|-----------------|----------|
| DCN       | REV | DESCRIPTION     | DATE     |
|           | 00  | INITIAL RELEASE | 04/07/02 |

|                             |             |                                                                                                                                                  |
|-----------------------------|-------------|--------------------------------------------------------------------------------------------------------------------------------------------------|
| TOLERANCES UNLESS SPECIFIED |             | Integrated Device Technology, Inc.<br>3975 Shadelan Way, Santa Clara, CA 95054<br>PHONE: (408) 727-4116<br>FAX: (408) 486-8674 TWC: 910-138-3070 |
| XXX                         | ANGULAR     |                                                                                                                                                  |
| XXX                         | Z           |                                                                                                                                                  |
| XXX                         | OTHER       |                                                                                                                                                  |
| APPROVALS                   | DATE        | TITLE                                                                                                                                            |
| DRAWN: JSJ                  | 04/06/02    | BB PACKAGE OUTLINE                                                                                                                               |
| CHECKED                     |             | FB8A                                                                                                                                             |
| SIZE                        | DRAWING No. | REV                                                                                                                                              |
| C                           | PSC-4106    | 00                                                                                                                                               |
| DO NOT SCALE DRAWING        |             | SHEET 2 OF 2                                                                                                                                     |

## Ordering Information



### Valid Combinations

79RC32K438 -200BB, 233BB, 266BB, 300BB 416-pin BGA package, Commercial Temperature

79RC32K438 -200BBI, 233BBI 416-pin BGA package, Industrial Temperature



**CORPORATE HEADQUARTERS**  
6024 Silver Creek Valley Road  
San Jose, CA 95138

**for SALES:**  
800-345-7015 or 408-284-8200  
fax: 408-284-2775  
www.idt.com

**for Tech Support:**  
email: rischelp@idt.com  
phone: 408-284-8208